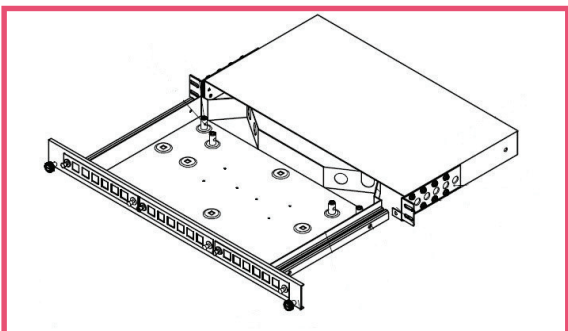
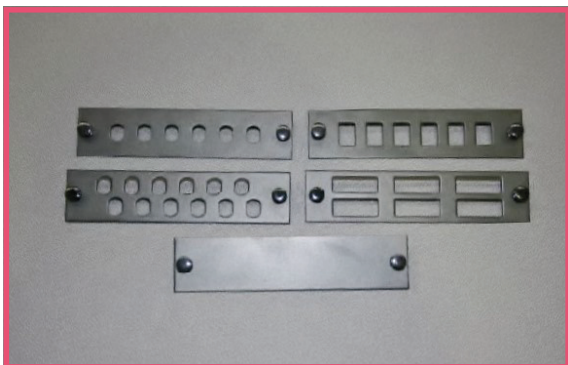
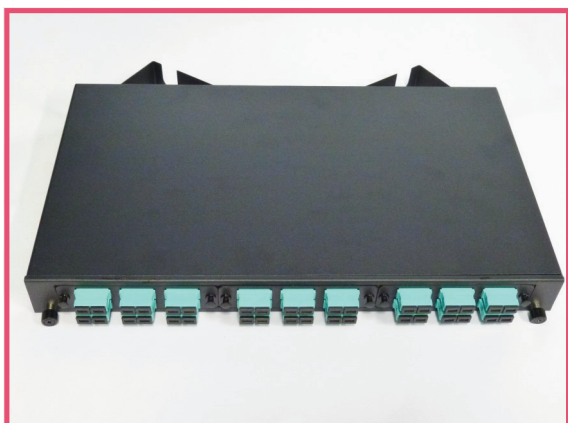
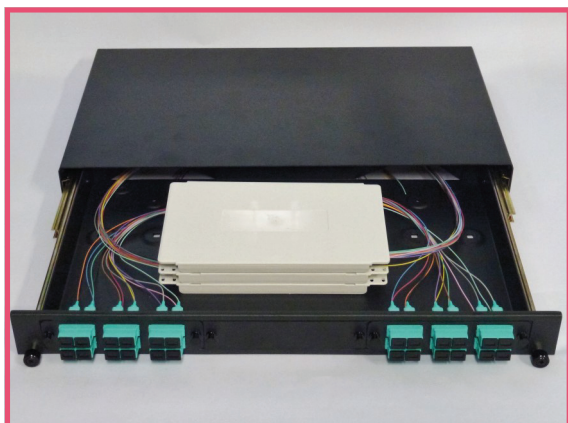


# FOBOT 1U Sliding



Part Number	Description
FT1RU-S3	Fibre Tray 1RU - Sliding
FTSCSX6	6 Port SC SX or LC DX Plates
FTSCDX6	6 Port SC DX or LC Quad Plates
FTSTS6	6 port ST Simplex Plates
FTSTS12	12 port ST Simplex Plates
FTBLANK	Blank Plates

## Features

- Angled rear cable entry
- Up to 72 LC Fibres in 1 RU
- Includes kit with:
  - Cable ties,
  - Strain relief gland,
  - Cage nuts,
  - Cable management clips,
  - Brass binding posts
- Connector panels available for:
  - FC Simplex
  - ST Simplex
  - SC Simplex or Duplex
  - LC Duplex or Quad
  - Blanking plates
- Supports most industry standard splice cassettes
- Black in colour
- Adjustable Mounting brackets
- Long life steel finish

[www.selectdata.com.au](http://www.selectdata.com.au)

07 3556 1480