

HNS210TD OWNER'S MANUAL



Scan our QR code with your phone to go directly to our website for technical information



**3-WIRE
SUITABLE FOR
FANS, MOTORS
OR IRON CORE
BALLASTS**

1. FEATURES

- Push button timer with ON/OFF and ON/RESTART operations
- Configurable by DIP switch settings
- Adjustable Timer Range from 15 seconds to 252 minutes
- Suitable for a wide range of load types, including motor loads up to 8A
- Compatible with HPM and Clipsal style wall plates with push buttons provided for a perfect fit
- Remote switch compatible

2. OPERATING CONDITIONS

- Operating Voltage: 230 – 240V a.c. 50Hz*
- Operating Temperature: 0 to +50 °C
- Certification Standard: CISPR15, AS/NZS 3100, AS/NZS 60669.2.1
- Maximum Load: 10AX
- Timer Range: 15 seconds to 252 minutes
- Timer Accuracy: ± 10%
- Terminals: Screw Terminals suit 1.5mm² to 4.0mm² stranded (bootlace terminal recommended)

Note: Operation at temperature, voltage or load outside of the specifications may cause permanent damage to the unit.

*Not suitable to be driven by a DC-AC inverter

3. LOAD COMPATIBILITY

LOAD TYPE	COMPATIBILITY
Incandescent / 240V Halogen	10AX
Fluorescent Tube with Electronic or Iron Core Ballast	10AX
Compact Fluorescent	10AX
Electronic Transformer	10AX
LED	10AX
Wirewound Transformer	10AX
Fan Motors	8A
Heating Elements	10AX

Note: This manual was correct at the time of manufacture. For the latest version of the manual and any technical or safety updates refer to the website:- www.sclick.com.au or scan the QR code with a mobile phone.

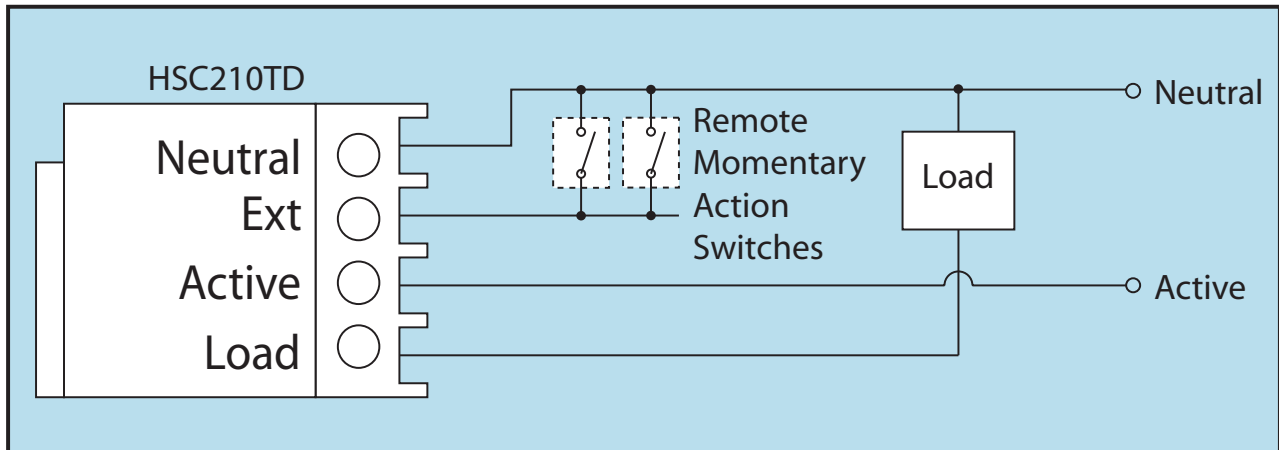
4. WIRING INSTRUCTIONS

WARNING: The HNS210TD is to be installed as part of a fixed wire electrical installation. By law such installations must be made by an electrical contractor or similarly qualified person.

NOTE: A readily available disconnect device, such as a type C 16A circuit breaker shall be incorporated external to the product.

4.1 WIRING

- Disconnect power at the circuit breaker before any electrical work.
- Install the HNS210TD as per the wiring diagram in figure below.



- Clip the button on to the HNS210TD. Ensure that the button is oriented so that the LED light pipe is aligned with the hole in the button, before attaching it to the wall plate.
- Reconnect power at the circuit breaker and affix Solid State Device Warning Sticker at switchboard.

Note: The HNS210TD is designed for indoor use. It is not rated for outdoor installation. If the unit is loose in the plate, the wall plate should be replaced. The wire strip length is 10mm.

4.2 MULTI-WAY SWITCHING

- The HNS210TD is multi-way switching capable by using mains rated momentary action switches wired across the Neutral and Ext (Remote) connections. Suitable switches include the HPM EM870K or Clipsal 681M20P.
- There is no limit to the number of remote switches provided the remote wire length does not exceed 50 metres.
- Holding a remote button for over 2 seconds will cause the timer to restart.

5. OPERATING INSTRUCTIONS

ELECTRICAL SAFETY WARNING: Isolate the HNS210TD from the mains power before setting the timer.

When the unit is first connected, or when power resumes after an outage, the unit will remain off for the first minute, and may not respond to the push button.

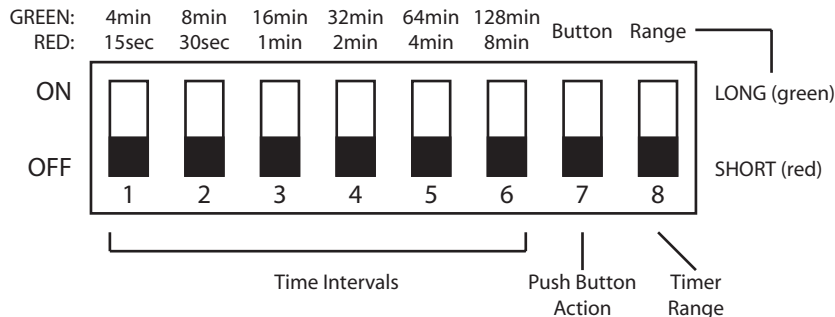
To turn on the load and start the timer, push the push-button. The timer will run for the period set by the DIP switches (see section 5.1). The indicator light will also turn on, to indicate that power is applied to the load.

Pushing the push-button when the load is on will either turn the load off or restart the timer, depending on the configuration of the Button Action DIP switch (see section 5.4).

The HNS210TD can also be operated from a remote switch. The remote switch will act in exactly the same way as the switch on the unit.

5.1 DIP SWITCH OPERATION

The eight DIP switches are visible through a window in the internal enclosure of the electronic module. The first six switches set the time period for which the HNS210TD will apply power to the load. The seventh switch sets the action of the push button during the timer countdown - either to turn the load off, or restart the timer period. The eighth switch sets the range to either short time settings (15 second increments) or long time settings (4 minute increments).

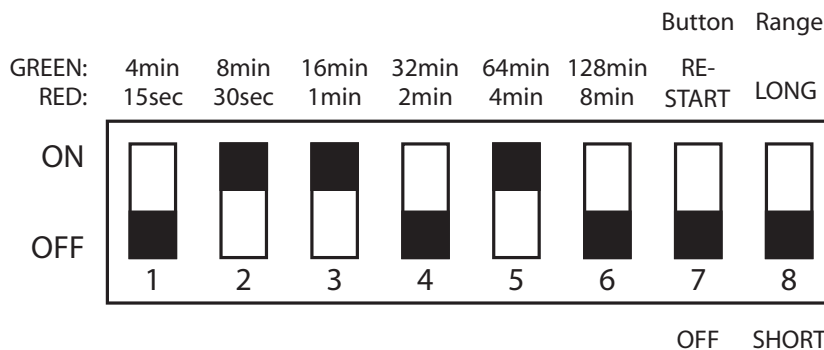


5.2 EXAMPLE TIME SETTING (SHORT)

A desired run time after the button is pushed is 5 minutes and 30 seconds. As the long range will only allow time settings in 4 minute increments, the closest achievable time is either 4 or 8 minutes. As this is not suitable, the short range must be chosen.

To set this time, begin with all eight switches in the off (down) position. Switch 8 must remain off to select the short range. Switch six will set the timer longer than the desired time, so it remains in the off position. Turn on (up) switch five (4 minutes) leaving a remainder of 1 minute 30 seconds ($5:30 - 4:00 = 1:30$). Switch four would add 2 minutes, which is too much - leave it off. Turn on switch three (1 minute) leaving a remainder of 30 seconds. Turn on switch two (30 seconds), giving a total of $4:00 + 1:00 + 0:30 = 5:30$ minutes. This gives the desired time, so switch one may remain off.

Switch seven may now be set for the desired button action - refer section 5.4.

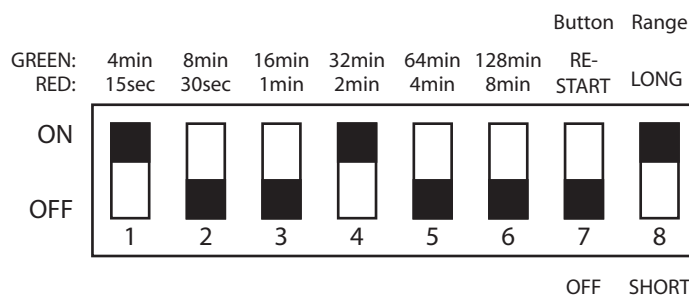


5.3 EXAMPLE TIME SETTING (LONG)

A desired run time after the button is pushed is 36 minutes. Short range will only allow a maximum setting of 15 minutes and 45 seconds. As this is not suitable, we must choose the long range.

To set this time, begin with all eight switches in the off (down) position. Set switch 8 on (up) to select the long range. Switches five and six will both set the timer longer than the desired time, so they remain in the off position. Turn on (up) switch four (32 minutes) leaving a remainder of 4 minutes ($36 - 32 = 4$). Switches three and two would each add too much time - leave them off. Turn on switch one (4 minutes), giving a total of $32 + 4 = 36$ minutes. This gives the desired time.

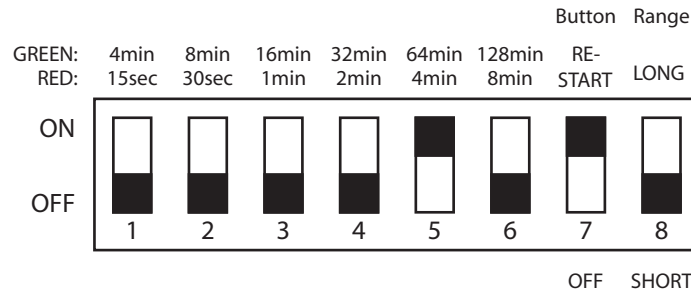
Switch seven may now be set for the desired button action - refer section 5.4.



5.4 SETTING THE BUTTON ACTION

Switch number seven sets the action of the push button. If the load is off, pushing the button will turn the load on, regardless of the setting of switch seven. While the load is on, pushing the button again can have two different actions. If switch seven is off (down), pushing the button while the load is on will turn the load off and cancel the timer. If switch seven is on (up), pushing the button while the load is on will keep the load on and restart the timer, extending the run time.

Example: The image below shows the timer set for a 4 minute time out. When the button is first pushed to turn the load on, the timer will start to count down 4 minutes. Switch seven is set on (up). After 3 minutes of the timer counting down, the user presses the button a second time. This restarts the counter back at 4 minutes, and the load remains on. After a further 4 minutes, the load times-out and turns off. The load was on for a total of 7 minutes.



6. IMPORTANT SAFETY WARNINGS

6.1 LOAD REPLACEMENT

- It should be assumed that even when OFF, mains voltage will still be present at the load fitting. Mains power should therefore be disconnected at the circuit breaker before replacing loads.

6.2 INSTALLATION

- The HNS210TD is to be installed as part of a fixed wire electrical installation. By law, such installations must be made by an electrical contractor or similarly qualified person. Avoid excessive force on remote input wire or terminals during installation.

6.3 LOW READING DURING INSULATION BREAKDOWN TEST

- The HNS210TD is a solid state device. Therefore a low reading may be observed when conducting insulation breakdown testing on the circuit.

6.4 CLEANING

- Clean only with a damp cloth. Do not use abrasives or chemicals.

7. WARRANTY AND DISCLAIMER

Legend Corporation Limited warrants the product against manufacturing and material defect from the date of invoice to the initial purchaser for a period of 12 months. During the warranty period Legend Corporation Limited will replace products that prove to be defective where the product has been correctly installed and maintained and operated within the specifications defined in the product data sheet and where the product is not subject to mechanical damage or chemical attack. The warranty is also conditional on the unit being installed by a licensed electrical contractor. No other warranty is expressed or implied.

Legend Corporation Limited shall not be liable for any direct, indirect, incidental or consequential damages.

Note: This manual was correct at the time of manufacture. For the latest version of the manual and any technical or safety updates refer to the website:- www.sclick.com.au or scan the QR code with a mobile phone.

CP14731 Rev 2, 12TH June 2018

Ordering Information: Part No. HNS210TD

In support of our policy of continuous product improvement we reserve the right to change materials and specifications without notice. Drawings, where used, are not to scale. All dimensions are in millimetres and sizes given are approximate. Where possible, technical MSDS data sheets are made available on the website. All products should be installed and used in accordance with manufacturer's instructions provided. Warning: products may be the subject of registered designs and patents. Refer to website for terms and conditions on warranty.