



Representative Photo Only
(actual product may vary based on configuration selections)

CURRENT TRANSFORMER 400/5A 27MM

- Available in a broad range of primary currents 40 to 6000A
- 5A secondary (1A secondary available upon request)
- Cable or Busbar type
- Solid core
- High accuracy Class 0.5

SPECIFICATIONS

Product Series	TA327
Component Type Metering	Current Transformer
I _{pn} , Primary Current, Rated	400 A
I _{sn} , Secondary Current, Rated	5 A
Accuracy Class	0.5 Class 1
Burden, Accuracy Class 0.5	10 VA
Burden, Accuracy Class 1	12 VA
Rated Frequency	50 Hz
Operational Frequency, Min	47 Hz min
Operational Frequency, Max	63 Hz max
U _m , System Voltage, Max (rms)	0.72 kV (rms)
Insulation Class	B
U _i , Rated Insulation Voltage	3000 V (rms)
Rated Insulation Time, Max	60 s
Details, Insulation	Dry transformer, air insulation
I _{th} , Thermal Current, Short Time, 1s	24 kA
I _{cth} , Thermal Current, Continuous	0.4 kA
I _{dyn} , Current, Dynamic	60
Security Factor	<=5
Power Dissipation, Max	7 W
Busbar / Cable Temperature, Max	125 °C
Mounting (Multiple)	Busbar Mount DIN-35 Rail Mount
Diameter, Window	27 mm
Material, Body / Housing	PC (Polycarbonate) material
IP rating, body / housing	IP40
IP Rating, Terminals	IP20
Height	36 mm

Catalogue No: TA3274005A

CURRENT TRANSFORMER 400/5A 27mm

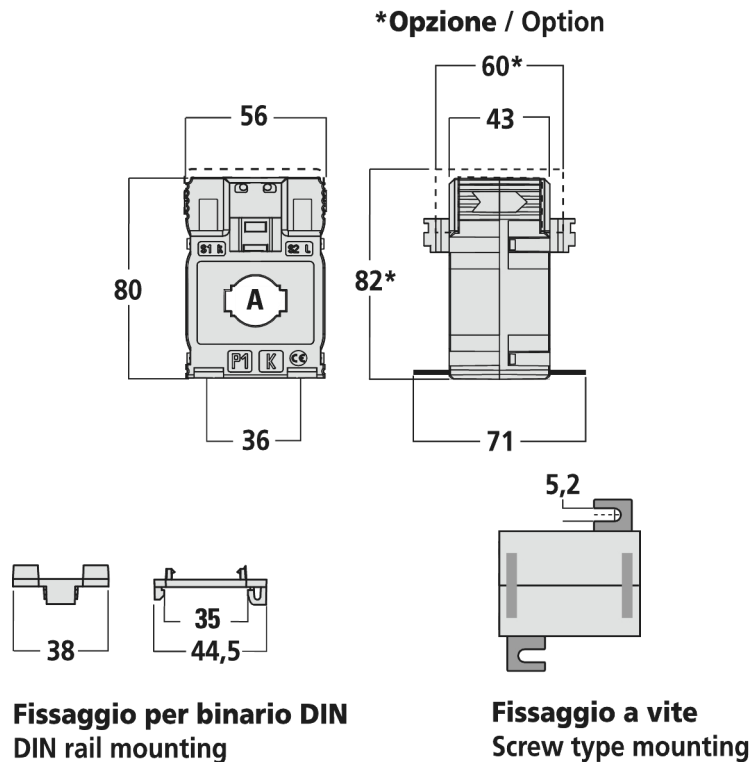
Energy Management and Building Automation > Energy Management and Metering > Transducers and Transformers > IME Solid Core Current Transformers > Cable Type Current Transformers > TA327



Width	71 mm
Depth	80 mm
Weight	0.26 kg
Operating Temperature, Min	-25 °C min
Operating Temperature, Max	50 °C max
Continuous Temperature, Max	30 °C
Storage Temperature, Min	-40 °C min
Storage Temperature, Max	85 °C max
Relative Humidity, Max	85 %RH
Humidity Type	Short-Term Condensation
Standards Compliance	EN 61869-1 EN 61869-2 IEC 61869-1 IEC 61869-2

REFERENCES

IECEX Certificate	-
Supplier Declaration of Conformity:	-
Installation Guide:	-
User Manual:	-
Manufacturer Datasheet:	TA3274005A_ManufacturerDatasheet
Manufacturer Catalogue & Product Selection:	-

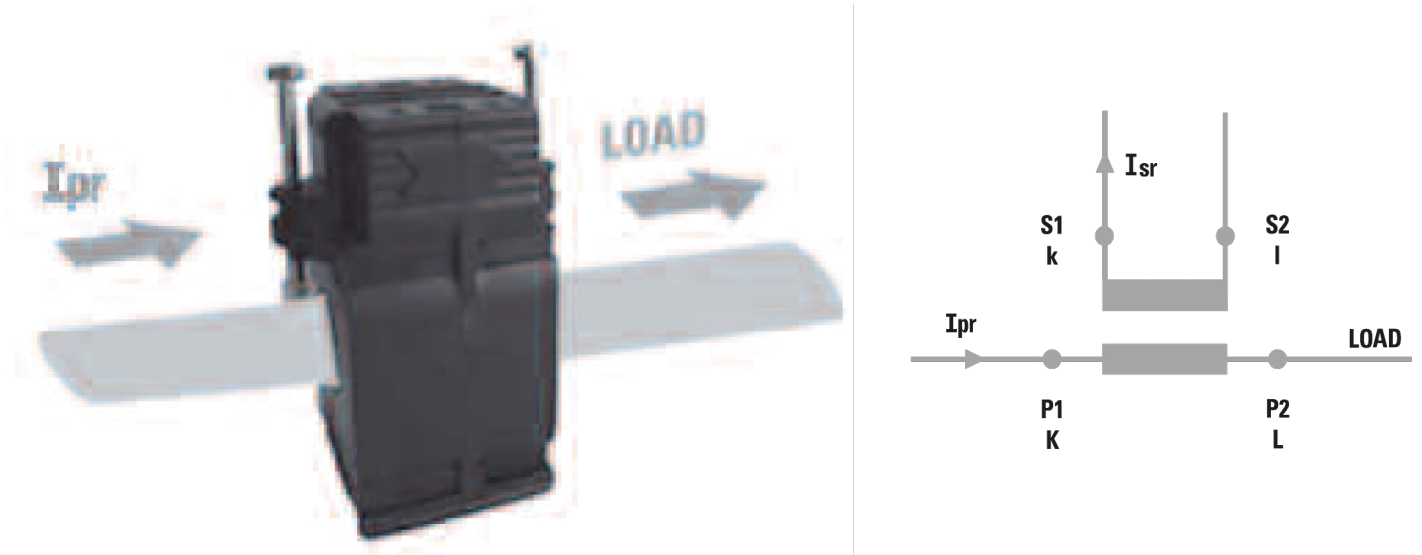


Dimension Diagram

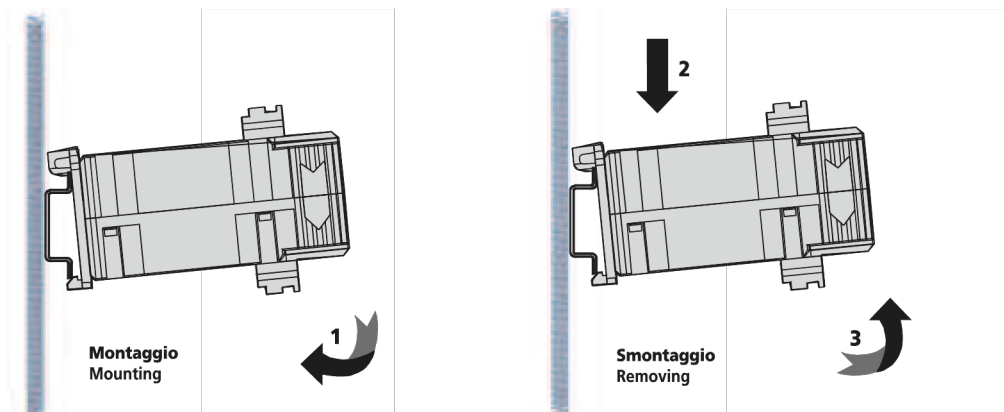
Catalogue No: **TA3274005A**

CURRENT TRANSFORMER 400/5A 27mm

Energy Management and Building Automation > Energy Management and Metering > Transducers and Transformers > IME Solid Core Current Transformers > Cable Type Current Transformers > TA327



Connection / Wiring Diagram



Technical Diagram