

Catalogue No: **RCSIM301O1S5M**

SAFETY MAGNETIC SWITCH STAINLESS STEEL M30 1NC1NO 5M CABLE

Safety > Safety Interlocks > Non-Contact Interlocks > Steute Non-Contact Interlocks > Standard Duty Safety Magnetic Switch > Series RC Si M30



RC Series Safety Magnetic Switch, category 4, M30 stainless steel enclosure with 5m pre-wired cable, 1NO/1NC contact, 157mA DC switching current, IP67, EN ISO 13849-1; EN 60947-5-2; EN 60947-5-3/PDF-M*; EN 954-1; EN 1088

- Metal enclosure
- Long life
- Reed contacts, coded
- Actuation from front
- Switching distance up to 8 mm
- With pre-wired cable
- Version with LED lamp available on request

Representative Photo Only
(actual product may vary based on configuration selections)

SPECIFICATIONS

B10d (ISO 13849:2006)	1000000
MTTFd (ISO 13849:2006)	100 years
Switching Voltage	24V DC
Housing Type	Cylindrical
Material, Body / Housing	Nickel-Plated Brass material
Sensing Distance	10 mm
Connection / Termination	Built-in cable with flying leads
Length, Cable	5 m
Operating Temperature, Max	70 °C max
Operating Temperature, Min	-20 °C min
Storage Temperature, Max	70 °C max
Storage Temperature, Min	-20 °C min
IP Rating	IP67
Standards Compliance	EN 954 / ISO 13849:1999 Category 1 EN 60947-5-2 EN 60947-5-3 EC Machinery Directive 2006/42/EC EC EMC Directive 2004/108/EC EN 60947-5-1

Catalogue No: **RCSIM301O1S5M**

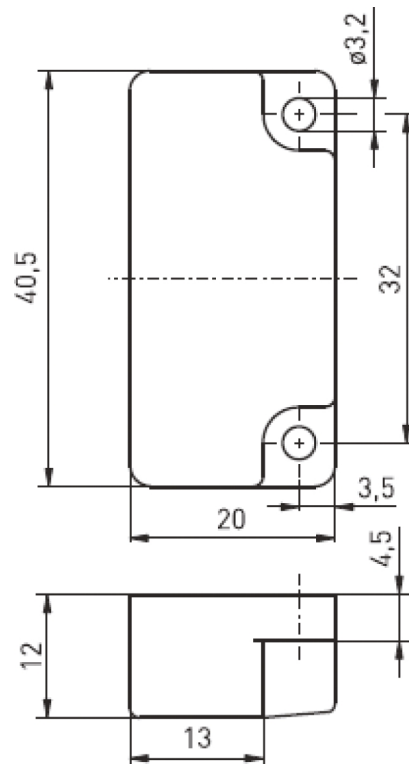
SAFETY MAGNETIC SWITCH STAINLESS STEEL M30 1NC1NO 5M CABLE

Safety > Safety Interlocks > Non-Contact Interlocks > Steute Non-Contact Interlocks > Standard Duty Safety Magnetic Switch > Series RC Si M30



REFERENCES

IECEX Certificate	-
Supplier Declaration of Conformity:	-
Installation Guide:	-
User Manual:	-
Manufacturer Datasheet:	RCSIM301O1S5M_Manufacturer Datasheet
Manufacturer Catalogue & Product Selection:	-



Dimension Diagram