



Actuating Magnet, metal enclosure

- Extensive range of different housing styles and mounting options
- Special versions available with IP69k rating or high/low temperature tolerance for demanding applications with harsh and extreme environment
- Plastic or metal versions available

Representative Photo Only
(actual product may vary based on configuration selections)

SPECIFICATIONS

Material, Body / Housing	Nickel-plated aluminium brass material
Conduit Entry	M30 entry

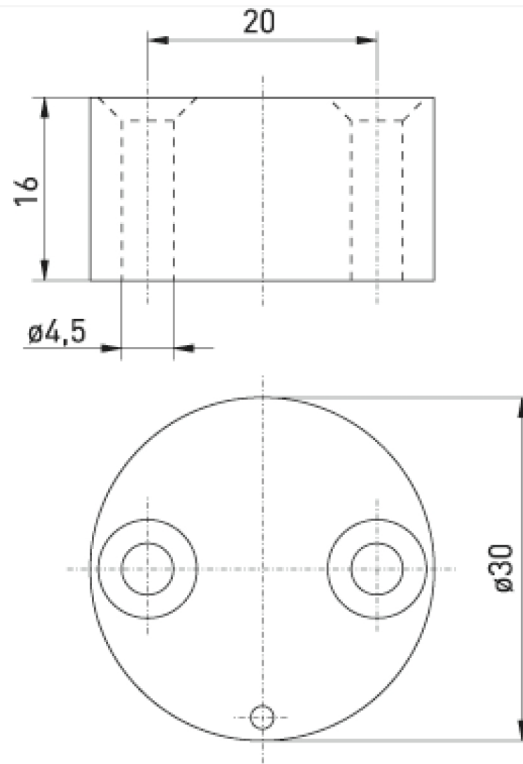
REFERENCES

IECEX Certificate	-
Supplier Declaration of Conformity:	-
Installation Guide:	-
User Manual:	-
Manufacturer Datasheet:	-
Manufacturer Catalogue & Product Selection:	-

Catalogue No: **MC30**

ACTUATOR MAGNET METAL M30 FOR RCSI SAFETY SENSORS

Safety > Safety Interlocks > Non-Contact Interlocks > Steute Non-Contact Interlocks > Accessories - Safety Magnetic Switch



Dimension Diagram