



Drainage device plastic IP66/67/69K M50

- High degree of protection
- Good drainage performance
- Ideal for wash down areas
- Easy to install
- Robust, weather and UV protected housing
- Allows up to 200ml/h water flow out of the enclosure

Representative Photo Only
(actual product may vary based on configuration selections)

SPECIFICATIONS

Component Type	Heaters Filter Fans Regulating Devices	Drainage Device
Water Entry Height	0mm (at 0.5mm wall thickness)	
Water Flow-through	200 ml/h at a water column of 5mm	
Thread Size	M50 x 1.5 size	
Diameter, Cutout	50.5 mm	
Mounting	50.5mm Mounting	
Details, Mounting	Wrench size 60mm, Housing 50mm details	
Tightening Torque, Max	6 Nm	
Details, Installation Position	Make cutout Ø50.5+0.5mm (2.0") in enclosure bottom and mount drainage device with nut. Ensure sealing gasket is on the outer side panel of the enclosure and the hole is free of burrs.	
IP Rating	IP66 IP67 IP69K	
Depth	49.5 mm	
Depth, in Enclosure	17.5 mm depth	
Weight	0.06 kg	
Storage Temperature, Min	-45 °C min	
Storage Temperature, Max	70 °C max	
Operating Temperature, Max	-45 °C max	
Operating Temperature, Min	70 °C min	
Packing Unit	1 piece	
Package Quantity	1 qty	
Material	Plastic	
Standards Compliance	EN 60529 UL 94 V-0 UL 746C	

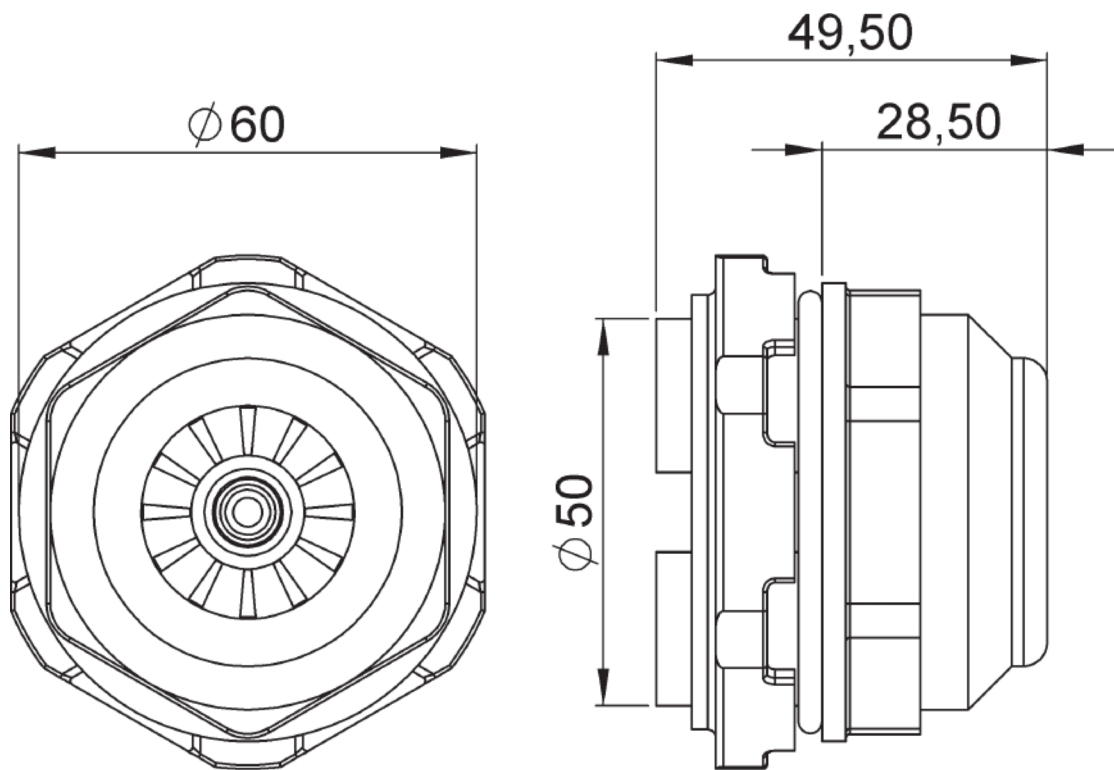
Catalogue No: **DD 084**

DRAINAGE DEVICE PLASTIC IP66/67/69K M50

Enclosures and Climate Control > Climate Control > Heaters and Regulating Devices > Anti-Condensation Heaters and Regulating Devices > Pressure Compensation and Drainage Devices > DD084 - Drainage Devices



REFERENCES	
IECEX Certificate	-
Supplier Declaration of Conformity:	-
Installation Guide:	-
User Manual:	-
Manufacturer Datasheet:	-
Manufacturer Catalogue & Product Selection:	-



Dimension Diagram