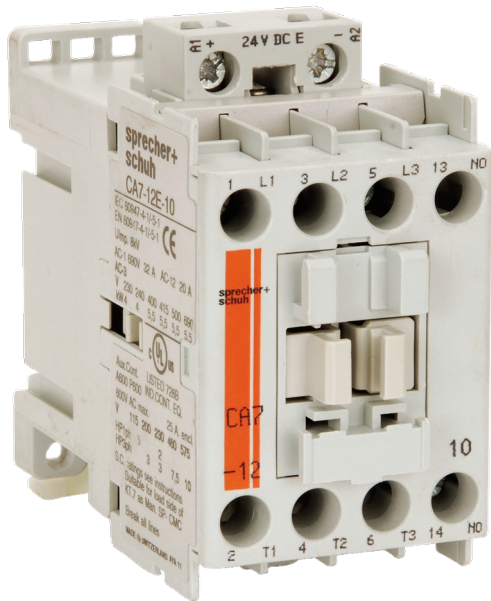


Catalogue No: CA7-23E-10-110E

CONTACTOR 11kW 3P 110-125V DC COIL 1NO AUXILIARY

Motor Control and Drives > Motor Starting and Protection > Contactors > Sprecher + Schuh Contactors > CA7 Contactors 4 to 55kW > 3 Pole Contactors with DC Coil



Contactor 3 pole 23A 11kW 1N/O Auxiliary 110-125V DC Electronic Coil

- Easy selection with 12 sizes, one for each standard motor kW rating (4-55kW)
- Common accessories for the range
- Side or top mount auxiliary contacts provide flexibility to suit enclosure space

Representative Photo Only
(actual product may vary based on configuration selections)

SPECIFICATIONS

Product Series	CA7
Component Type Motor Control and Drives	Standard Contactor
I _e , Rated Operational Current, AC-1, 415V, 40°C	32 A@415V,40°C
kW Rating, AC-3, 415V, 60°C	11 kW @415V, 60°C
I _e , Rated Operational Current, AC-3, 415V, 60°C	23 A@415V,60°C
kW Rating, AC-3, 690V, 60°C	10 kW @690V, 60°C
I _e , Rated Operational Current, AC-3, 690V, 60°C	12 A@690V,60°C
Number of Poles	3
Contact Configuration, Main Poles	3 NO main poles
Coil Type	Electronic type
Coil Consumption Hold-in VA AC coiled contactors	3.1 VA 12.3
Coil Consumption Pickup VA AC coiled contactors	105 VA
Coil Consumption Pickup W Ave/Peak DC Electronic coiled contactors 12VDC	10 W 17
Coil Consumption Pickup W Ave/Peak DC Electronic coiled contactors 24VDC	10 W 17
Coil Consumption Pickup W Ave/Peak DC Electronic coiled contactors 36-48VDC	10 W 17
Coil Consumption Pickup W Ave/Peak DC Electronic coiled contactors 48-72VDC	10 W 17
Coil Consumption Pickup W Ave/Peak DC Electronic coiled contactors 110-125VDC	12 W 19
Coil Consumption Pickup W Ave/Peak DC Electronic coiled contactors 220-250VDC	14 W 22
Coil Consumption Hold-in W DC coiled contactors 12VDC	1.7 W
Coil Consumption Hold-in W DC coiled contactors 24VDC	1.7 W
Coil Consumption Hold-in W DC coiled contactors 36-48VDC	1.7 W 1.9
Coil Consumption Hold-in W DC coiled contactors 48-72VDC	1.7 W 1.9

Catalogue No: CA7-23E-10-110E

CONTACTOR 11kW 3P 110-125V DC COIL 1NO AUXILIARY

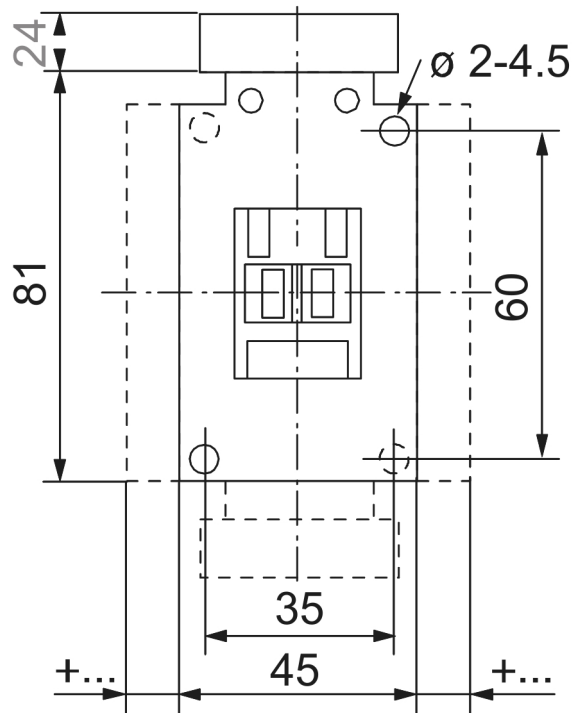
Motor Control and Drives > Motor Starting and Protection > Contactors > Sprecher + Schuh Contactors > CA7 Contactors 4 to 55kW > 3 Pole Contactors with DC Coil



Coil Consumption Hold-in W DC coiled contactors 110-125VDC	2 W 2.1
Coil Consumption Hold-in W DC coiled contactors 220-250VDC	2.7 W 3
Integrated Aux	1 N/O
Coil Voltage, DC, Nom	110 V DC
IP Rating	IP20

REFERENCES

IECEX Certificate	-
Supplier Declaration of Conformity:	-
Installation Guide:	-
User Manual:	-
Manufacturer Datasheet:	-
Manufacturer Catalogue & Product Selection:	-



Dimension Diagram

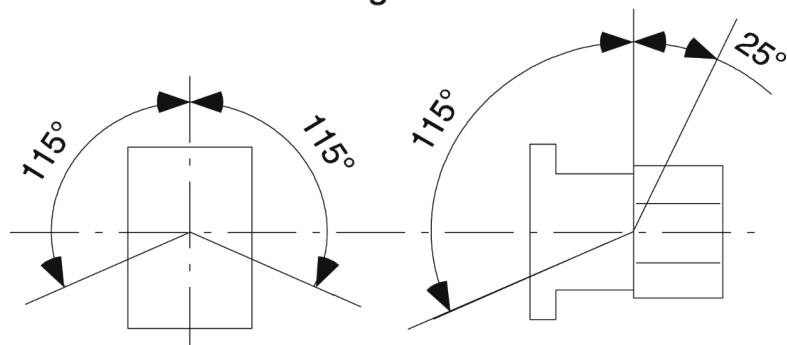
Catalogue No: **CA7-23E-10-110E**

CONTACTOR 11kW 3P 110-125V DC COIL 1NO AUXILIARY

Motor Control and Drives > Motor Starting and Protection > Contactors > Sprecher + Schuh Contactors > CA7 Contactors 4 to 55kW > 3 Pole Contactors with DC Coil



Mounting Position



Technical Diagram