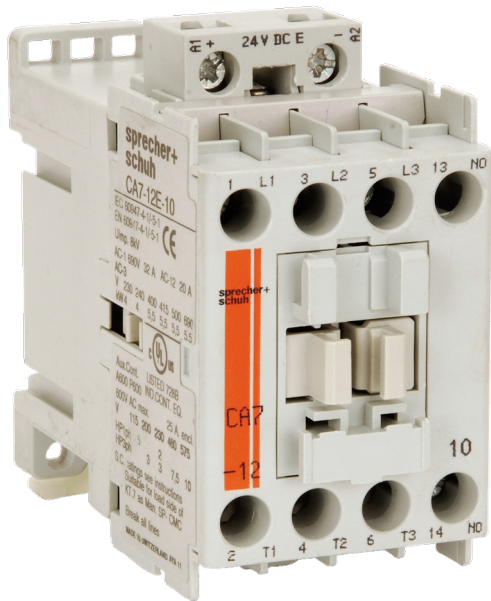


# Catalogue No: CA7-16E-M-40-24VDC

## CONTACTOR 7.5kW 4P 24V DC COIL

Motor Control and Drives > Motor Starting and Protection > Contactors > Sprecher + Schuh Contactors > CA7  
Contactors 4 to 55kW > 4 Pole Contactors with DC Coil



Contactor 4 pole 16A 7.5KW 4N/O 24V DC Electronic Coil

Representative Photo Only  
(actual product may vary based on configuration selections)

### SPECIFICATIONS

Product Series	CA7-16
Component Type Motor Control and Drives	Standard Contactor
I <sub>e</sub> , Rated Operational Current, AC-1, 415V, 40°C	32 A@415V,40°C
kW Rating, AC-3, 415V, 60°C	7.5 kW @415V, 60°C
I <sub>e</sub> , Rated Operational Current, AC-3, 415V, 60°C	16 A@415V,60°C
kW Rating, AC-3, 690V, 60°C	7.5 kW @690V, 60°C
I <sub>e</sub> , Rated Operational Current, AC-3, 690V, 60°C	9 A@690V,60°C
Number of Poles	4
Contact Configuration, Main Poles	4 NO main poles
Coil Type	Electronic type
Coil Consumption Hold-in VA AC coiled contactors	2.7 VA 9.5
Coil Consumption Pickup VA AC coiled contactors	75 VA
Coil Consumption Pickup W Ave/Peak DC Electronic coiled contactors 12VDC	10 W 17
Coil Consumption Pickup W Ave/Peak DC Electronic coiled contactors 24VDC	10 W 17
Coil Consumption Pickup W Ave/Peak DC Electronic coiled contactors 36-48VDC	10 W 17
Coil Consumption Pickup W Ave/Peak DC Electronic coiled contactors 48-72VDC	10 W 17
Coil Consumption Pickup W Ave/Peak DC Electronic coiled contactors 110-125VDC	12 W 19
Coil Consumption Pickup W Ave/Peak DC Electronic coiled contactors 220-250VDC	14 W 22
Coil Consumption Hold-in W DC coiled contactors 12VDC	1.7 W
Coil Consumption Hold-in W DC coiled contactors 24VDC	1.7 W
Coil Consumption Hold-in W DC coiled contactors 36-48VDC	1.7 W 1.9
Coil Consumption Hold-in W DC coiled contactors 48-72VDC	1.7 W 1.9

# Catalogue No: CA7-16E-M-40-24VDC

## CONTACTOR 7.5kW 4P 24V DC COIL

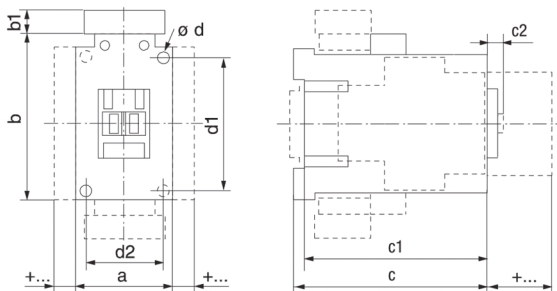
Motor Control and Drives > Motor Starting and Protection > Contactors > Sprecher + Schuh Contactors > CA7 Contactors 4 to 55kW > 4 Pole Contactors with DC Coil



Coil Consumption Hold-in W DC coiled contactors 110-125VDC	2 W 2.1
Coil Consumption Hold-in W DC coiled contactors 220-250VDC	2.7 W 3
Main Poles	4 N/O
Integrated Aux	No Auxiliary Contacts
Coil Voltage, DC, Nom	24 V DC
IP Rating	IP20

REFERENCES	
IECEx Certificate	-
Supplier Declaration of Conformity:	-
Installation Guide:	-
User Manual:	-
Manufacturer Datasheet:	-
Manufacturer Catalogue & Product Selection:	-

Dimensions are in millimeters (inches). Dimensions not intended for manufacturing purposes.



Catalog Number	Coil Code	a	b	b1	c	c1	c2	Ød	d1	d2
CA7-9E...CA7-23E, CAN7-12E...CAN7-16E	12E...24E	45 (1-25/32)	81 (3-3/16)	~	80.5 (3-11/64)	75.5 (2-31/32)	6 (15/64)	2-4.5 (2-3/16)	60 (2-23/64)	35 (1-3/8)
	36E...220E	45 (1-25/32)	81 (3-3/16)	24 (15/16)	80.5 (3-11/64)	75.5 (2-31/32)	6 (15/64)	2-4.5 (2-3/16)	60 (2-23/64)	35 (1-3/8)
CA7-30E...CA7-37E, CAN7-37E	12E...24E	45 (1-25/32)	81 (3-3/16)	~	97.5 (4)	92.5 (3-41/64)	6.5 (1/4)	2-4.5 (2-3/16)	60 (2-23/64)	35 (1-3/8)
	36E...220E	45 (1-25/32)	81 (3-3/16)	24 (15/16)	97.5 (4)	92.5 (3-41/64)	6.5 (1/4)	2-4.5 (2-3/16)	60 (2-23/64)	35 (1-3/8)
CA7-40E	12E...24E	59 (2-21/64)	81 (3-3/16)	~	100.5 (3-61/64)	95.5 (3-49/64)	6.5 (1/4)	2-4.5 (2-3/16)	60 (2-23/64)	45 (1-25/32)
	36E...220E	59 (2-21/64)	81 (3-3/16)	24 (15/16)	100.5 (3-61/64)	95.5 (3-49/64)	6.5 (1/4)	2-4.5 (2-3/16)	60 (2-23/64)	45 (1-25/32)
CA7-43E...55E, CAN7-43E	12E...24E	54 (2-1/8)	81 (3-3/16)	~	100.5 (3-61/64)	95.5 (3-49/64)	6.5 (1/4)	2-4.5 (2-3/16)	60 (2-23/64)	45 (1-25/32)
	36E...220E	54 (2-1/8)	81 (3-3/16)	24 (15/16)	100.5 (3-61/64)	95.5 (3-49/64)	6.5 (1/4)	2-4.5 (2-3/16)	60 (2-23/64)	45 (1-25/32)

### Reversing Contactors, Capacitor Contactors & Accessories (+...)

	Contactors with...	Dim. [mm]	Dim. [Inches]
auxiliary contact block-front mounting	2-, or 4-pole	c/c1 + 39	c/c1 + 1-37/64
auxiliary contact block- left side mounting	1-, or 2 pole	a + 9	a + 23/64
pneumatic timing module		c/c1 + 58	c/c1 + 2-23/64
electronic timing module	on coil terminal side	b + 24	b + 15/16
mechanical latch		c/c1 + 61	c/c1 + 61
interface module	on coil terminal side	b + 9	c/c1 + 2-31/64
Labeling with...	label sheet	+0	+0
	marking tag sheet with clear cover	+0	+0
	marking tag adapter for V7 Terminals	+5.5	+7/32

### Dimension Diagram

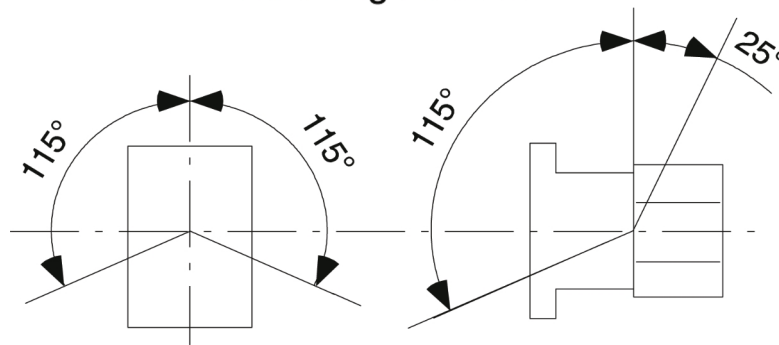
Catalogue No: **CA7-16E-M-40-24VDC**

**CONTACTOR 7.5kW 4P 24V DC COIL**

Motor Control and Drives > Motor Starting and Protection > Contactors > Sprecher + Schuh Contactors > CA7 Contactors 4 to 55kW > 4 Pole Contactors with DC Coil



**Mounting Position**



Technical Diagram