

Catalogue No: **ALN 163609**

TERMINAL BOX EURONORD ALU IP66/67/68 H164 x W364 x D91mm

Enclosures and Climate Control > Standard Enclosures > Terminal Boxes > Aluminium Terminal Boxes > Terminal Boxes (Mounting Plate Sold Separately)



Representative Photo Only
(actual product may vary based on configuration selections)

Enclosure Terminal Box Euronord ALU IP66/67/68 W364xH164xD91mm

- Over 20 standard sizes meeting requirements for small junction boxes up to larger outdoor control enclosures
- Excellent chemical resistance, good heat-sink properties and short term heat ratings provide the best value for money protection of your components
- With an IP rating of IP66/67/68 the ALN range protects not only against dust/water ingress but against submersion in 1.2m of water for up to 2 hours
- Captive stainless steel cover screws ensure every component of the enclosure is suitable for harsh environments

SPECIFICATIONS

Product Series	ALU
Material, Body / Housing	Aluminium material
Height	164 mm
Width	364 mm
Depth	91 mm
IK Rating	IK08
IP Rating	IP66 IP67 IP68
Colour, Body / Housing	Silver Grey (RAL 7001) colour
Material, Gasket / Seal	PUR / PU material
Material, Screws / Fastening	Stainless Steel Screws/Fastening
Standards Compliance	EN 60529 EN 60950 EN 62208:2003 EN 62262
Certifications	RoHS

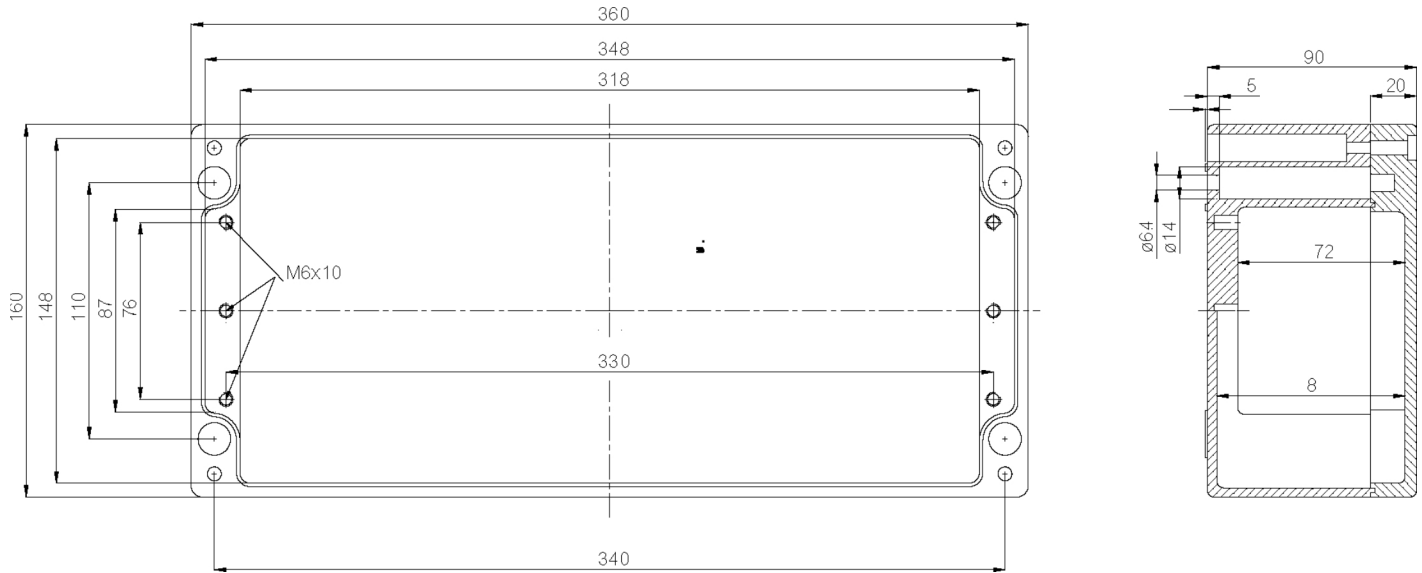
REFERENCES

IECEX Certificate	-
Supplier Declaration of Conformity:	-
Installation Guide:	-
User Manual:	-
Manufacturer Datasheet:	-
Manufacturer Catalogue & Product Selection:	-

Catalogue No: **ALN 163609**

TERMINAL BOX EURONORD ALU IP66/67/68 H164 x W364 x D91mm

Enclosures and Climate Control > Standard Enclosures > Terminal Boxes > Aluminium Terminal Boxes > Terminal Boxes (Mounting Plate Sold Separately)



Dimension Diagram