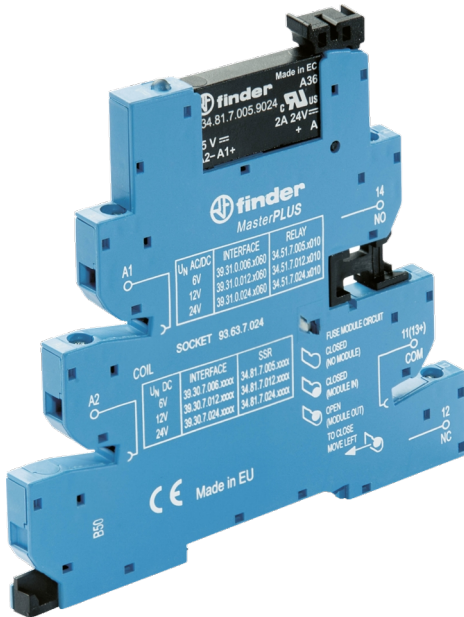


Catalogue No: 39.30.9024 24V DC

MASTER PLUS SSR 2A 1NO 24VDC COIL 24VDC FUSEABLE OUTPUT

Timers and Control Relays > General Purpose Relays > Solid State Relays > Finder Solid State Relays > 39 Series
Interface Relays > Master Plus Relays



Representative Photo Only
(actual product may vary based on configuration selections)

39 Master Plus SSR 2A 1 N/O 24V DC Coil 24V DC 2A Fuseable Output

- Market leading design with a compact profile which helps to achieve a space saving solution for low amperage requirements
- International certifications and approvals including CE, CSA, EAC, PCT, RINA, VDE and RoHS, providing quality assurance of a market leading product
- Ideal for PLC interposing applications where a fast response time is required

SPECIFICATIONS

Product Series	39
Number of Poles	1
Contact Configuration	1 NO
In, Rated Current	2 A
Ie, Rated Operational Current, min	1 mA,min
Icw, Short Time Withstand Current, 10ms (rms)	20 A, 10ms
IΔn, Leakage Current, Max	0.001 mA
Un, Nominal Operational Voltage, DC	24 V DC
Ue, Rated Operational Voltage, DC, min	1.5 V DC
Ue, Rated Operational Voltage, DC, max	24 V DC
Blocking Voltage, Peak	33 Vp
Voltage Drop, On State, Max	0.12 V
Control Voltage, DC, Nom	24 V DC
Control Voltage, DC, Min	19.2 V DC min
Control Voltage, DC, Max	26.4 V DC max
Supply Power, Rated, DC	0.25 W
Pickup Voltage	19.2 V
Dropout Voltage	2.4 V
Response Time (Off → On)	0.2 ms
Response Time (On → Off)	0.6 ms
Insulation Voltage, between Input & Output	250 V AC
Mounting	DIN-35 Rail Mount
Terminal Type, Supply	Screw Terminal(s)
Terminal Type, Operational	Screw Terminal(s)
Wire / Conductor Size	2.5 mm ²
Wire Strip Length	10 mm
Operating Temperature, Min	-20 °C min
Operating Temperature, Max	55 °C max

Catalogue No: 39.30.9024 24V DC

MASTER PLUS SSR 2A 1NO 24VDC COIL 24VDC FUSEABLE OUTPUT

Timers and Control Relays > General Purpose Relays > Solid State Relays > Finder Solid State Relays > 39 Series
Interface Relays > Master Plus Relays

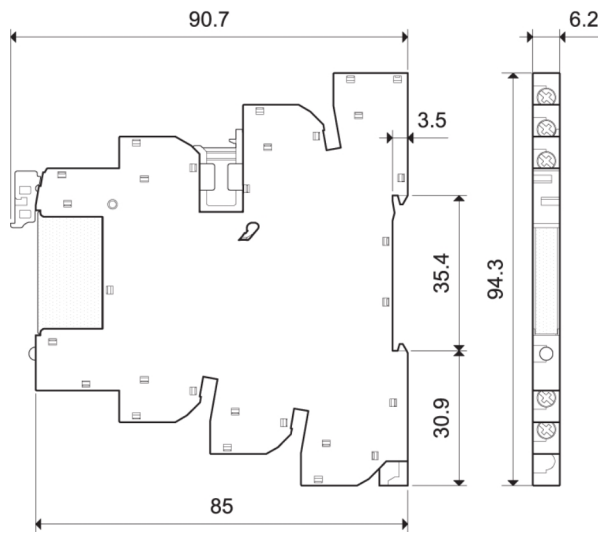


IP Rating	IP20
Height	94.3 mm
Width	6.2 mm
Depth	90.7 mm
Shock Duration (Max.)	6 ms
Vibration Acceleration (Max.)	15 m/s ²
Vibration Frequency, Operational (Max.)	55 Hz
Certifications	CE EAC GOST-R C-UR-US

REFERENCES

IECEX Certificate	-
Supplier Declaration of Conformity:	-
Installation Guide:	-
User Manual:	-
Manufacturer Datasheet:	-
Manufacturer Catalogue & Product Selection:	-

39.30 / 39.30.3
39.31 / 39.31.3
Screw terminal

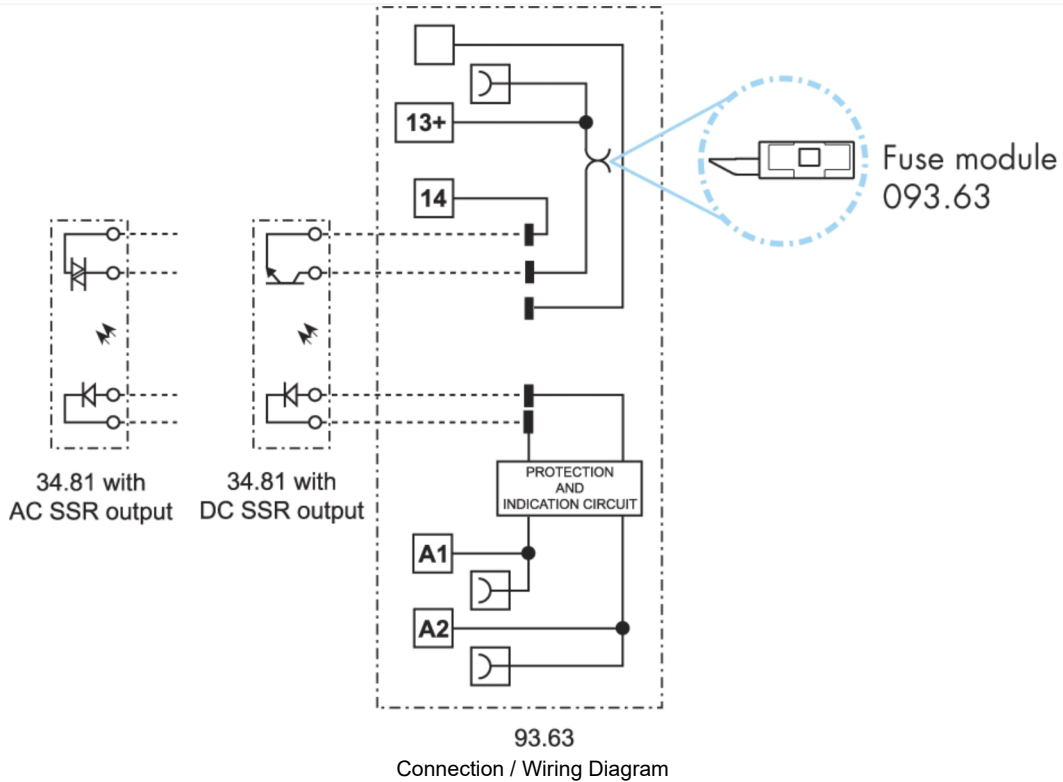


Dimension Diagram

Catalogue No: 39.30.9024 24V DC

MASTER PLUS SSR 2A 1NO 24VDC COIL 24VDC FUSEABLE OUTPUT

Timers and Control Relays > General Purpose Relays > Solid State Relays > Finder Solid State Relays > 39 Series
Interface Relays > Master Plus Relays



Finder **B0 Series - Timer modules**

Function	100 Type B0.00	100 Type B0.01	Supply ON	NO output ON
+			ON	ON
-			ON	ON
+			ON	ON
-			ON	ON
+			ON	ON
-			ON	ON

Wiring Diagram: Type B0.00, Type B0.01, Type B0.02, Type B0.03, Type B0.04, Type B0.05, Type B0.06, Type B0.07, Type B0.08, Type B0.09, Type B0.10, Type B0.11, Type B0.12, Type B0.13, Type B0.14, Type B0.15, Type B0.16, Type B0.17, Type B0.18, Type B0.19, Type B0.20, Type B0.21, Type B0.22, Type B0.23, Type B0.24, Type B0.25, Type B0.26, Type B0.27, Type B0.28, Type B0.29, Type B0.30, Type B0.31, Type B0.32, Type B0.33, Type B0.34, Type B0.35, Type B0.36, Type B0.37, Type B0.38, Type B0.39, Type B0.40, Type B0.41, Type B0.42, Type B0.43, Type B0.44, Type B0.45, Type B0.46, Type B0.47, Type B0.48, Type B0.49, Type B0.50, Type B0.51, Type B0.52, Type B0.53, Type B0.54, Type B0.55, Type B0.56, Type B0.57, Type B0.58, Type B0.59, Type B0.60, Type B0.61, Type B0.62, Type B0.63, Type B0.64, Type B0.65, Type B0.66, Type B0.67, Type B0.68, Type B0.69, Type B0.70, Type B0.71, Type B0.72, Type B0.73, Type B0.74, Type B0.75, Type B0.76, Type B0.77, Type B0.78, Type B0.79, Type B0.80, Type B0.81, Type B0.82, Type B0.83, Type B0.84, Type B0.85, Type B0.86, Type B0.87, Type B0.88, Type B0.89, Type B0.90, Type B0.91, Type B0.92, Type B0.93, Type B0.94, Type B0.95, Type B0.96, Type B0.97, Type B0.98, Type B0.99, Type B0.100.

Technical Diagram