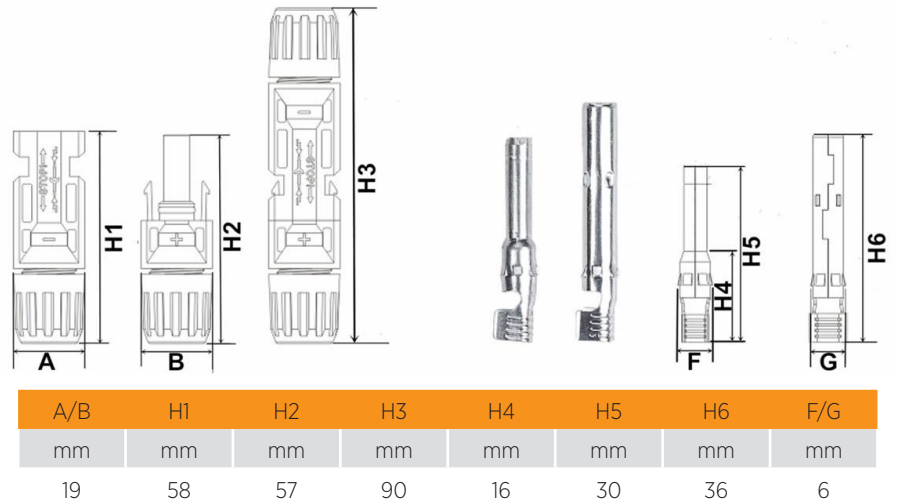


SE015 MC4 Connector - Pairs



| Specification | |
|--|---|
| insulation Material | PPO |
| Contact Material | Copper Alloy, Tin plated |
| Temperatuer Range | -40°C to 105°C |
| Degree Protection Mated | IP67 |
| Unmate | IP2X |
| Flame Class | UL94-V0 |
| Locking System | Snap-in |
| Contact Resistance of Plug Connectors | 0.5mΩ |
| Safety Class | II |
| Test Voltage | 6kV(50HZ,1min) |
| Salt Mist Spray Test, Degree of Severity 5 | IEC 60068-2-52 |
| Rated Current | 17A(1.5mm ²), 22A (2,5 mm ² ; 14AWG), 30A (4 mm ² , 6 mm ² ; 12AWG, 10AWG) |
| Connector System | Ø 4 mm |
| Rated Voltage | 1000V DC(IEC) |

Please Note:

Please consult with your Electrician/Engineer to ensure suitability for the intended application and installation.

PGK Distribution takes every precaution to ensure the information in this publication is correct but accepts no liability of any kind and reserves the right to change any detail in this catalogue without notification.