

XS930S4PAM12

inductive sensor XS9 M30 - L64mm - full SS 316L -
Sn40 mm - 12..24VDC - M12



Main

| | |
|-------------------------------|--|
| Range of product | OsiSense XS |
| Series name | Application |
| Sensor type | Inductive proximity sensor |
| Device application | Food and beverage |
| Sensor name | XS9 |
| Sensor design | Cylindrical M30 |
| Size | 64 mm |
| Body type | Single piece body |
| Enclosure material | Stainless steel 316L |
| Type of output signal | Discrete |
| Wiring technique | 3-wire |
| [Sn] nominal sensing distance | 40 mm |
| Discrete output function | 1 NO |
| Discrete output type | PNP |
| Electrical connection | 4 pins M12 male connector |
| [Us] rated supply voltage | 12...24 V DC with reverse polarity protection |
| Switching capacity in mA | <= 200 mA with overload and short-circuit protection |
| IP degree of protection | IP68 conforming to IEC 60529 IP69K |

Complementary

| | |
|------------------------------------|-------------------------------|
| Thread type | M30 x 1.5 |
| Detection face | Frontal |
| Detector flush mounting acceptance | Non flush mountable |
| Material | Stainless steel 316L |
| Front material | Stainless steel 316L |
| Operating zone | > 0...32 mm |
| Differential travel | 1...15 % of Sr |
| Repeat accuracy | <= 5 % of Sr |
| Output circuit type | DC |
| Status LED | 1 LED yellow for output state |
| Supply voltage limits | 10...30 V DC |
| Residual current | <= 0.1 mA for open state |
| Switching frequency | <= 90 Hz |
| Voltage drop | <= 2 V at closed state |
| Current consumption | <= 10 mA at no-load |
| Delay first up | <= 40 ms |
| Delay response | <= 6E-05 ms |
| Delay recovery | <= 0.015 ms |
| Marking | CE |
| Threaded length | 32 mm |
| Height | 30 mm |
| Length | 64 mm |
| Product weight | 0.145 kg |

Environment

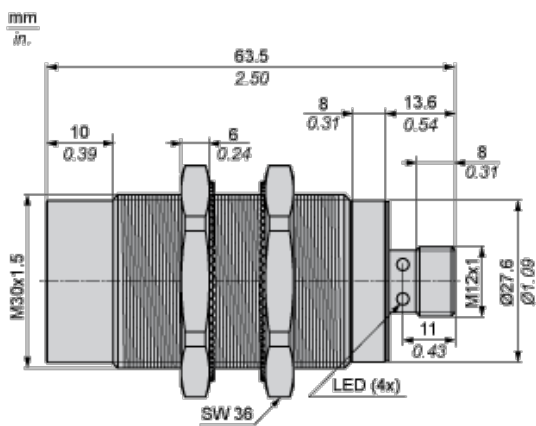
The information provided in this documentation contains general descriptions and/or technical characteristics of the products contained herein. This documentation is not intended as a substitute for and is not to be used for determining suitability or reliability of these products for specific user applications. It is the duty of any such user or integrator to perform the appropriate and complete risk analysis, evaluation and testing of the products with respect to the relevant specific application or use thereof. Neither Schneider Electric Industries SAS nor any of its affiliates or subsidiaries shall be responsible or liable for misuse of the information contained herein.

| | |
|---------------------------------------|---|
| product certifications | CULus Ecolab |
| ambient air temperature for operation | -25...85 °C |
| ambient air temperature for storage | -25...85 °C |
| vibration resistance | 25 gn amplitude = +/- 1 mm (f = 10...55 Hz) conforming to IEC 60068-2-6 |
| shock resistance | 30 gn for 11 ms conforming to IEC 60068-2-27 |

Offer Sustainability

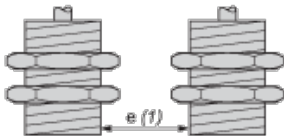
| | |
|--------------------------|---|
| Sustainable offer status | Not Green Premium product |
| RoHS (date code: YYWW) | Compliant - since 1206 - Schneider Electric declaration of conformity |
| REACH | Reference not containing SVHC above the threshold |

Dimensions



Minimum Mounting Distances in mm

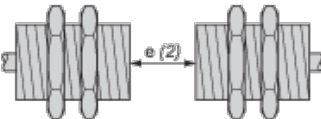
Side by side



e (1) 270 mm/10.63 in.

≧

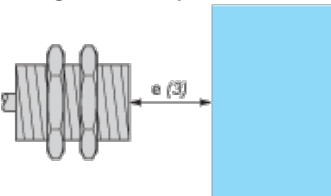
Face to face



e (2) 130 mm/5.12 in.

≧

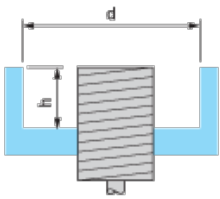
Facing a metal object



e (3) 120 mm/4.72 in.

≧

Mounted in a metal support



$d \geq 120 \text{ mm}/4.72 \text{ in.}$

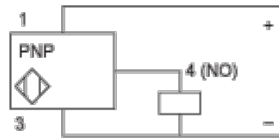
$h \geq 34 \text{ mm}/1.34 \text{ in.}$

Wiring Schemes

M12 connector



PNP



1 : (+)

2 : Not connected

3 : (-)

4 : NO Output