

## XS118B3NAM12

inductive sensor XS1 M18 - L50mm - brass - Sn8mm  
- 12..24VDC - M12



### Main

|                                    |  |
|------------------------------------|--|
| Range of product                   | OsiSense XS  |
| Series name                        | General purpose  |
| Sensor type                        | Inductive proximity sensor                                   |
| Device application                 | Mobile equipment   |
| Sensor name                        | XS1  |
| Sensor design                      | Cylindrical M18  |
| Size                               | 50 mm  |
| Body type                          | Fixed  |
| Detector flush mounting acceptance | Flush mountable  |
| Material                           | Metal  |
| Type of output signal              | Discrete   |
| Wiring technique                   | 3-wire   |
| [Sn] nominal sensing distance      | 8 mm   |
| Discrete output function           | 1 NO   |
| Output circuit type                | DC   |
| Discrete output type               | NPN  |
| Electrical connection              | M12 male connector, 4 pins                                   |
| [Us] rated supply voltage          | 12...24 V DC with reverse polarity protection                |
| Switching capacity in mA           | <= 200 mA with overload and short-circuit protection         |
| IP degree of protection            | IP65 conforming to IEC 60529<br>IP67 conforming to IEC 60529 |
| Sale per indivisible quantity      | 1  |

### Complementary

|                       |                                 |
|-----------------------|---------------------------------|
| Thread type           | M18 x 1                         |
| Detection face        | Frontal                         |
| Front material        | PPS                             |
| Enclosure material    | Nickel plated brass             |
| Operating zone        | 0...6.4 mm                      |
| Differential travel   | 1...15% of Sr                   |
| Status LED            | 1 LED (yellow) for output state |
| Supply voltage limits | 10...36 V DC                    |
| Switching frequency   | <= 1000 Hz                      |
| Voltage drop          | <= 2 V (closed state)           |
| Current consumption   | <= 10 mA (no-load)              |
| Delay first up        | <= 10 ms                        |
| Delay response        | <= 0.3 ms                       |
| Delay recovery        | <= 0.7 ms                       |
| Marking               | CE                              |
| Threaded length       | 28 mm                           |
| Length                | 50 mm                           |
| Product weight        | 0.06 kg                         |

### Environment

The information provided in this documentation contains general descriptions and/or technical characteristics of the performance of the products contained herein. This documentation is not intended as a substitute for and is not to be used for determining suitability or reliability of these products for specific user applications. It is the duty of any such user or integrator to perform the appropriate and complete risk analysis, evaluation and testing of the products with respect to the relevant specific application or use thereof. Neither Schneider Electric Industries SAS nor any of its affiliates or subsidiaries shall be responsible or liable for misuse of the information contained herein.

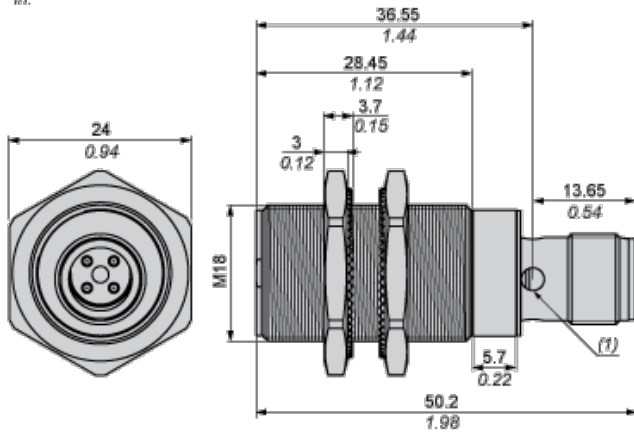
|                                       |   |
|---------------------------------------|---|
| product certifications                | CSA<br>UL<br>E2   |
| ambient air temperature for operation | -25...70 °C   |
| ambient air temperature for storage   | -40...85 °C   |
| vibration resistance                  | 25 gn, amplitude: +/- 2 mm (f = 10...55 Hz) conforming to IEC 60068-2-6 |
| shock resistance                      | 50 gn (duration = 11 ms) conforming to IEC 60068-2-27                   |

## Offer Sustainability

|                                  |   |
|----------------------------------|---|
| Sustainable offer status         | Green Premium product   |
| RoHS (date code: YYWW)           | Compliant - since 0838 - Schneider Electric declaration of conformity |
| REACH                            | Reference not containing SVHC above the threshold                     |
| Product environmental profile    | Available   |
| Product end of life instructions | Available   |

## Dimensions

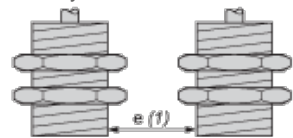
mm  
in.



(1) LED

## Minimum Mounting Distances

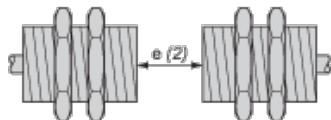
Side by side



e (1) 16 mm/0.63 in.

≧

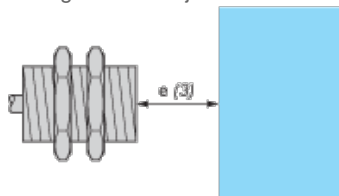
Face to face



e (2) 100 mm/3.94 in.

≧

Facing a metal object



e (3) 25 mm/0.98 in

## Wiring Schemes

M12 connector



NPN

