

Catalogue No: **MOLED80-04B**  
**BEACON 12 LED ST OR FL 85-265V AC BLUE**

Signalling Devices > Sight Indication > Beacons > Moflash Beacons > LED Beacons > MOLED80 Series - LED Beacons



Representative Photo Only  
 (actual product may vary based on configuration selections)

LED Beacon 110/230V AC - IP67 Clear Lens - Blue LEDs

- Complete visual signalling range from high efficiency static or flashing LED's to high discharge Xenon beacons to rotating parabolic reflector beacons, we have the solution suitable for your application.
- Available in a variety of frame sizes and with accessories such as protective cages and brackets to cater to your mounting requirements.
- Multiple colour varieties available including Red, Green, Amber and Blue to convey whichever message is required.

**SPECIFICATIONS**

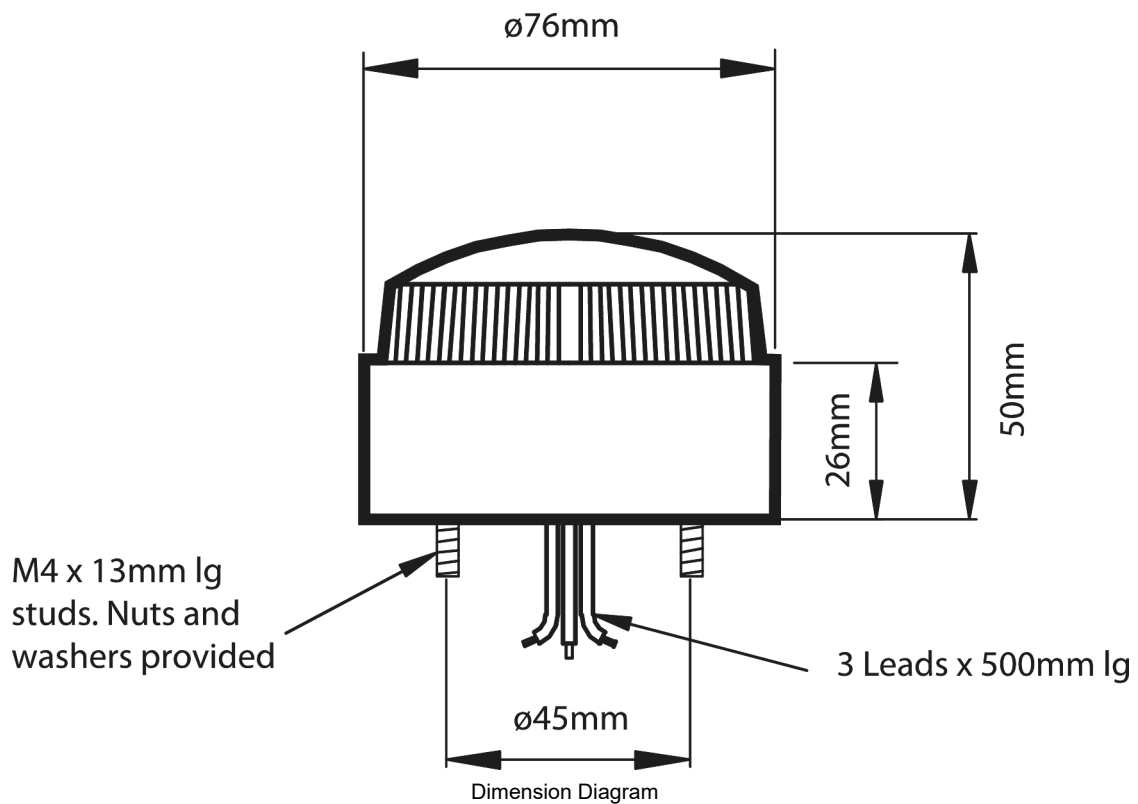
Product Series	LED80
Indication Mode(s)	Sight
Lamp Type	LED type
Number of LEDs	12
Colour, Lamp	Blue colour
Illumination Mode	Steady / Flashing
Speed, Flash	60 per min
Material, Lens	PC (Polycarbonate) - UV Stabilised
Un, Nominal Operational Voltage(s), AC	115 V AC 230
Ie, Rated Operational Current, nom	0.02 A,nom
Ie, Rated Operational Current, nom	0.02 A,nom
Material, Body / Housing	PC (Polycarbonate) - UV Stabilised material
Connection / Termination	Built-in cable with flying leads
Length, Cable	0.5 m
IP Rating	IP67
Mounting (Multiple)	Mounting Plate (Included) Surface Mount
Diameter, External	76 mm
Weight	0.14 kg
Operating Temperature, Min	-20 °C min
Operating Temperature, Max	55 °C max
Certifications	CE RoHS

Catalogue No: **MOLED80-04B**  
BEACON 12 LED ST OR FL 85-265V AC BLUE

Signalling Devices > Sight Indication > Beacons > Moflash Beacons > LED Beacons > MOLED80 Series - LED Beacons



REFERENCES	
IECEX Certificate	-
Supplier Declaration of Conformity:	-
Installation Guide:	<a href="#">MOLED80-04B_Installation Instructions</a>
User Manual:	-
Manufacturer Datasheet:	<a href="#">MOLED80-04B_ManufacturerDatasheet</a>
Manufacturer Catalogue & Product Selection:	-



Catalogue No: **MOLED80-04B**  
**BEACON 12 LED ST OR FL 85-265V AC BLUE**

Signalling Devices > Sight Indication > Beacons > Moflash Beacons > LED Beacons > MOLED80 Series - LED Beacons

