

CLIPSAL[®]

by Schneider Electric

air

Circulation

exhaust fans and
ventilation equipment

a fan for all seasons

AIRFLOW[®]

O.ERRE

technical data

clipsal.com

July 2010

SUGGESTED APPLICATIONS

Symbols

These icons are used throughout this technical document as a guide for choosing the right air movement product for your specific application.



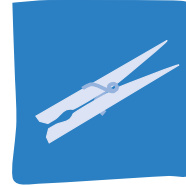
Bathrooms (Large)



Damp Areas



Garages



Laundries



Sheds



Bathrooms (Small)



Dressing Rooms



Gyms



Lounge Rooms



Toilets



Bedrooms



En Suites



Hotels, Pubs & Clubs



Offices



Walk-In Robes



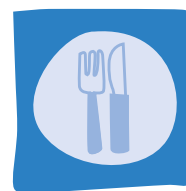
Caravans



Factories



Kitchens (Large)



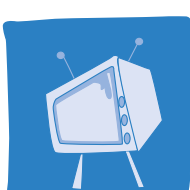
Restaurants



Workshops



Cellars



Family Rooms



Kitchens (Small)



Roofs



Shower Blocks



Car Parks



Circulation

exhaust fans and
ventilation equipment



page CONTENTS

- 4 Introduction
- 6 A Fan For All Reasons
- 8 Fan Select CD
- 9 The Importance of Ventilation
- 10 Where Ventilation is Essential
- 11 Choosing the Best Fan For Your Situation
- 17 Ceiling Exhaust Fans
- 24 Airflow Sunshine Fan/Light/Heater Units
- 26 Window Exhaust Fans
- 30 Wall Exhaust Fans & Accessories
- 38 Ducted Exhaust Fans & Ducting Accessories
- 50 Cooling Fans & Accessories
- 59 Industrial Exhaust Fans (including cabinet fans)
- 70 Fan Accessories
- 76 Quick Reference Technical Guide
- 83 Contents Reference Guide



BREATHE EASY WITH AIRFLOW,

air **Circulation**
exhaust fans and
ventilation equipment

The range of Airflow, Mistral and O.erre air movement products will bring fresh air to any home or work place.

An Exhaustive Range

In the home, our exhaust fans are ideal in bathrooms, en suites, toilets, laundries and workshops.

In kitchens too, exhaust fans are the only way to efficiently remove fumes and odours.

Most building regulations require exhaust fans in a variety of situations, particularly in bathrooms, kitchens and toilets.

For working areas, the high performance range of fans removes stale air from factories, restaurants, hotels, shops and offices.

Many new models mean the range has an exhaust fan for nearly every application.



mistral[®]

O.ERRE

MISTRAL AND O.ERRE



Quiet by Design

The entire range of exhaust fans is fitted with the highest quality electric motors and specially designed fans to ensure quiet operation.

Easy to Install

Installing an Airflow, Mistral or O.Erre exhaust fan is a breeze.





All products come with instructions, and templates are also provided where appropriate.



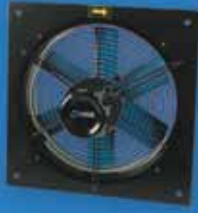

Your 'One Stop Selection Guide'

This catalogue features over 200 fans and accessories. Whether it's an exhaust fan, ceiling sweep fan, combination bathroom fan/light/heater unit, ducted system, commercial or industrial air movement, Airflow, Mistral and O.Erre products guarantee a refreshing choice.

AIRFLOW[®]

A FAN FOR ALL REASONS

	Description	Page
	<p>Ceiling Exhaust Fans</p> <ul style="list-style-type: none"> ■ Slimline ■ Decorative Metal and Wood ■ Utility and Heavy-Duty ■ Expressaire ■ Fan/Light Combinations 	<p>17</p>
	<p>Sunshine Fan/Light/Heater Units</p> <ul style="list-style-type: none"> ■ Combination Fans, Heaters and Lights ■ Threesome ■ En Suite 	<p>24</p>
	<p>Window Exhaust Fans</p> <ul style="list-style-type: none"> ■ MaxAir Fans ■ Centrifugal Models ■ Wall Switch and Pull Cord Operation ■ Automatic Louvres ■ Heavy-Duty Commercial Fans ■ Reversible Fans with Multi-Speed Controller 	<p>26</p>
	<p>Wall Exhaust Fans</p> <ul style="list-style-type: none"> ■ MaxAir ■ Centrifugal Wall Fans ■ Caravan/Slimline Fans ■ Heavy-Duty Commercial Fans ■ Compact Wall Fans for Small Areas ■ Mini Fans with Timers and Infrared Controllers ■ Louvre Operation Fans 	<p>29</p>

	Description	Page
	<p>Ducted Exhaust Fans and Ducting Accessories</p> <ul style="list-style-type: none"> ■ Compact Series ■ In-Line Centrifugal turbo series ■ In-Line and Roof Air Shifters ■ Ventilation Kits ■ Ducting Accessories ■ High Performance Ducted Kits 	38
	<p>Cooling Fans</p> <ul style="list-style-type: none"> ■ Ceiling Sweep Fans ■ Timber and Aluminium Blades ■ J-Hook mount ■ Hangsure mount ■ Downrods ■ Light Kits 	50
	<p>Industrial Exhaust Fans (including Cabinet Fans)</p> <ul style="list-style-type: none"> ■ Ring Mounted Fans ■ Wall Plate Fans ■ Fans for Specialised Areas ■ Cabinet Fans ■ TX Series Roof Fans 	59
	<p>Fan Accessories</p> <ul style="list-style-type: none"> ■ Protection Grilles ■ Timers ■ Sensors ■ Weatherproof Switches ■ Fan Controllers ■ Switch Multipliers 	70



Clipsal Fan Select

Clipsal Fan Select features over 200 fans and accessories. Whether it's an exhaust fan, combination bathroom fan/light/heater unit, ducted system, or a commercial or industrial air movement situation, Airflow, Mistral and O.Erre products guarantee a refreshing choice.

Clipsal Fan Select provides a user-friendly way to view our extensive range of fans. With text, images, line drawings, technical information, accessories and a fan calculation program that takes the guess work out of detecting the right fan for any location, this program has all the information you need to know about fans.

Clipsal Fan Select includes:

- An Introduction
- Fan Calculations
- A 'Quick Reference' guide
- A 'Show All Fans' feature
- Product Brochures
- Installation Instructions
- Fan Select Tutorial



Get your Clipsal eCatalogue CD today...

Contact Clipsal Marketing Systems

PO Box 132, Enfield Plaza, SA 5085

Ph 1800 806 668

E-mail ecatalogue@clipsal.com.au

THE IMPORTANCE OF VENTILATION

Room Ventilation

For health and hygiene reasons, the rooms in which we live and work must be ventilated.

Our lungs need air that is free from dense smoke, steam, carbon dioxide, toxic fumes, and other pollutants, and our sense of smell requires that air does not carry unpleasant odours.

In addition, polluted air can damage the contents of rooms such as furniture, carpets and paint.

People also pollute the air in rooms via:

- **their body:** sweat, physiological necessities, breath (production of carbon dioxides), etc.
- **their personal and domestic activities:** smoking, cooking, etc.
- **their work activities:** production and handling of toxic substances, such as paint; use of ammonia, etc.

All pollution produced in these ways remains in the rooms in which people and their families live. The only solution is to expel polluted air and replace it with clean air.

Opening windows and doors is often seen as a simple way to let air in to circulate through rooms, but also means that wind, rain, cold or hot air can enter also.

By installing an extractor fan, the air is changed gradually, with polluted air gently removed from the room without occupants being affected by external weather conditions.

When air is stagnant in a room, the only effective means of ventilating the room is to use an extractor fan.



WHERE VENTILATION IS ESSENTIAL

Homes

- Kitchens
- Bathrooms/Toilets
- Living areas
- Cellars
- Other rooms that have few, if any, windows or openings
- Small rooms where people spend long periods of time



Community Areas

- Cafeterias
- Change rooms
- Showers
- Toilets
- Dormitories
- Hospitals
- Other Community Areas



Public Areas

- Restaurants
- Cafés
- Bars
- Nightclubs
- Cinemas
- Schools
- Other public areas



Work Areas

- Any area in which pollutants are produced or handled



CHOOSING THE BEST FAN FOR YOUR SITUATION

There are two major types of extractor fans – axial and centrifugal. The only difference between both types is power and method of installation.

Axial Flow Fans

Axial flow fans move large volumes of air at low pressure. They are best suited for 'free air' to 'free air' applications, such as in the case of traditional ceiling fans which exhaust into the ceiling cavity. Other examples are wall and window applications.

Some specific axial products are available for 'in-line' applications where duct losses can be kept to a minimum.

Centrifugal Extractor Fans

These fans move limited volumes of air at high pressure. This pressure is required to overcome the resistance of ducting, including curves, narrow areas and internal irregularities. Centrifugal fans are always the best choice for ducting applications.

Installation Tips

Airflow, Mistral and O.Erre fans should be located as far away from and opposite to the main air source.

This will ensure the highest level of air movement possible.

Maximising Exhaust Fan Performance

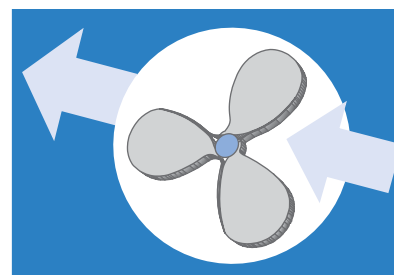
Having selected the correct fan for your chosen application, it is important to follow these simple guidelines to achieve the optimum performance from your fan:

- The fresh air source should be located on the opposite side of the room to the exhaust fan, creating a 'cross breeze' which will clear vapour and odours. (Fig. 1)

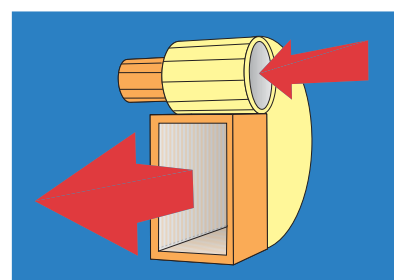
- On extremely cold, overcast and/or humid days, when there is a large difference between inside and outside air pressure, the higher setting of a two speed fan will easily keep the room clear of vapour.

- Exhaust fans operate most effectively in rooms with adequate ventilation, so that fresh air can flow in to replace the air that is exhausted. In rooms where the door is usually closed, installation of a door grille is recommended. (Fig. 2)

- If a wall or window fan is installed, it should be positioned as high as possible.



Axial Flow Fan



Centrifugal Extractor Fan

Correct Fan Location

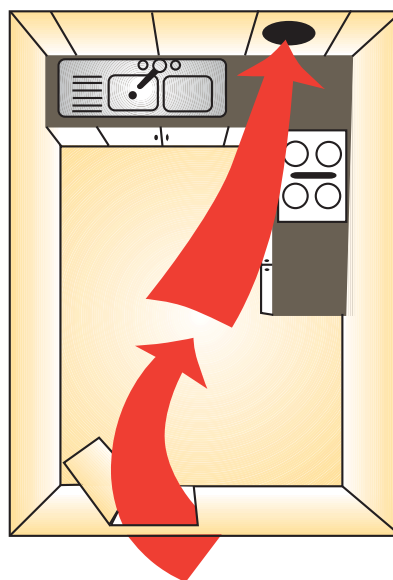


Fig. 1 Fresh air source
(eg Open door)

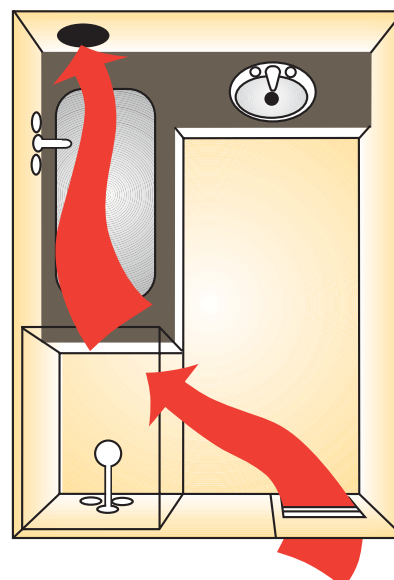


Fig. 2 Door Grille

CHOOSING THE BEST FAN FOR YOUR SITUATION

Installation Don't's

In these diagrams, both fans are located too close to the main air source.

Therefore the quality of the air in the room is inconsistent.

Incorrect Fan Locations

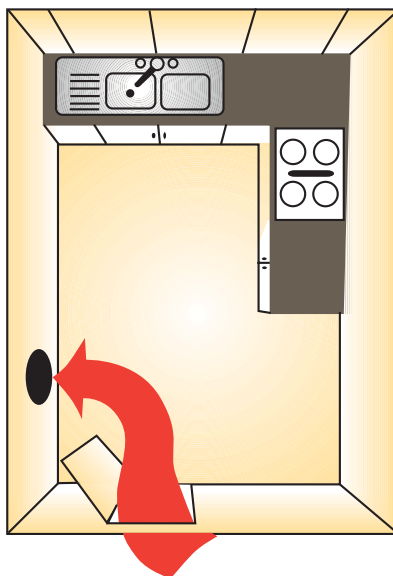


Fig. 1 Fresh air source (eg Open door)

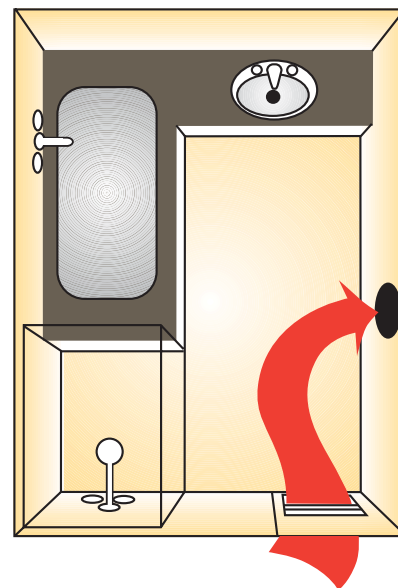


Fig. 2 Door Grille

Simple Fan Selection

Selecting the most suitable fan for your needs is very straightforward.

Where you are planning to move air directly outside a room, such as in a wall or window application, it is simply a matter of selecting the fan that will provide the appropriate amount of air, through the appropriate number of air changes per hour.

To calculate the required air to be moved per hour, multiply the volume of the room by the number of air changes required each hour.

Volume of room x Air changes = Required Air Movement (m³/h).

Example 1: Based on a Bathroom that measures 3m x 3m x 2.4m

Step 1: Calculate Room Volume = L x W x H			
Room Dimensions (metres)			Room Volume (m ³)
Length	Width	Height	
3	3	2.4	21.6

Step 2: Calculate Required Air Movement = Room Volume x Recommended Air Changes		
Room Volume (m ³)	Air Changes Per hour	Required Air Movement (m ³ /hr)
22	18	396

*Air changes can be calculated by referring to Table A on page 16.

CHOOSING THE BEST FAN FOR YOUR SITUATION

Ducted System Design

Designing a ducted system is more complex. Allowances have to be made for the pressure losses due to the resistance of the duct itself and the added resistance to air flow of bends and elbows. It is necessary to decide on the preferred size and type of duct to be used, and the duct route, so that pressure losses throughout the system can be calculated, and a fan selected with the correct performance criteria.

The elements that need to be decided on are as follows:

- Required air movement.
- Preferred duct size.
- Preferred duct type (usually either smooth bore plastic or metal pipe, or flexible aluminium).
- Preferred duct route (length and the number of bends and elbows).

Although it may seem complex at first, it is a reasonably straightforward procedure.

The easiest way to explain the process is to work through an example.

Example 2:

If the same size bathroom as used in Example 1 (on previous page) requires a 15 metre, 150mm ducted system with one bend and one elbow, see below details on how you can calculate to choose the correct fan.

To help with all calculations, refer to all Tables that are located on page 16.

Allow for Total Primary Duct Pressure Losses.

Step 1:

Knowing the Required Air Movement is 396m³/hr, round this up to the closest known Air Movement Rate (AMR) on Table B (page 16) which is **400m³/hr**.

Step 2:

On Table B where the AMR (**400m³/hr**) meets the point of the 150mm ducting, we can establish the Pressure Losses per metre to be **0.4mm of H₂O**.

Step 3:

As these Pressure Losses are per metre, we need to multiply this by the length of ducting (**15 metres**).

Step 3: Pressure Loss/metre x length of Duct = Total Primary Duct Load Losses		
Pressure Loss/Metre (mm H ₂ O)	Length of Duct (metres)	Total Primary Duct Load Losses (mm H ₂ O)
0.4	15	6

Allow for Duct Type

Step 4:

Air can travel faster over certain surfaces, which means that it is important to calculate how different duct materials effect the flow of air. For example, flexible aluminium duct produces five times the amount of Load Loss compared to a smooth duct. Calculation for this is worked out as follows using examples of both types of duct.

Step 4: Total Primary Duct Load Losses x Duct Type = Total Secondary Duct Load Losses			
Duct Type	Total Primary Duct Load Losses (mm H ₂ O)	Multiplication Factor	Total Secondary Duct Load Losses (mm H ₂ O)
Smooth Bore Duct	6	1	6
Flexible Aluminium	6	5	30

CHOOSING THE BEST FAN FOR YOUR SITUATION

Allow for Bends and Elbows

Air Speed will also be affected if there is a Bend or Elbow over the length of ducting. Calculation of this can be worked out as follows:

Step 5:

From **Table C** (page 16) locate where the AMR of (**400 m³/hr**) meets the selected 150mm duct, which is at (**6m/sec**).

Step 6 and 7:

With this total secondary Duct Load Losses, commonly referred to as Air Speed (**6m/sec**) we can look up the relevant Bend and Elbow Pressure Losses from **Table D** (page 16). Bend Pressure Loss in this case is **0.4mm H₂O** and the Elbow Pressure Loss is **3mm H₂O**.

Step 6: Number of Bends x Bend Pressure Losses = Total Bend Losses

Number of Bends	Bend Pressure Losses (mm H ₂ O)	Total Bend Losses (mm H ₂ O)
1	0.4	0.4

Step 7: Number of Elbows x Elbow Pressure Losses = Total Elbow Losses

Number of Elbows	Elbow Pressure Losses (mm H ₂ O)	Total Elbow Losses (mm H ₂ O)
1	3	3

Step 8:

Add together Total Bend and Elbow Pressure Losses:

Step 8: Total Bend Pressure Losses + Total Elbow Pressure Losses = Total Bend/Elbow Pressure Losses

Total Bend Pressure Losses	Total Elbow Losses (mm H ₂ O)	Total Bend/ Elbow Pressure Losses (mm H ₂ O)
0.4	3	3.4

Total Pressure Losses

Step 9

With all Pressure Losses now established, we can calculate the Total Pressure Losses.

(Two totals have been shown, depending on which duct type was used).

Using Smooth Duct

Step 9: Total Smooth Duct Losses + Total Bend/Elbow Losses = Total Pressure Losses

Total Smooth Duct Losses	Total Bend/Elbow Losses	Total Pressure Losses (mm H ₂ O)
6	3.4	9.4

Using Flexible Aluminium Duct

Step 9: Total Flexible Duct Losses + Total Bend/Elbow Losses = Total Pressure Losses

Total Flexible Aluminium Losses	Total Bend/Elbow Losses	Total Pressure Losses (mm H ₂ O)
30	3.4	33.4

CHOOSING THE BEST FAN FOR YOUR SITUATION

Fan Selection

Different fan units handle pressure differently. Take the Total Pressure Losses for these examples and compare them to the performance of your preferred fan to test its suitability.

The way to do this is by looking at each fan's individual Pressure Losses versus Air Movement Rate graph. Start by locating the calculated Total Pressure Losses on the vertical axis and move horizontally across until you intersect with the fan curve.

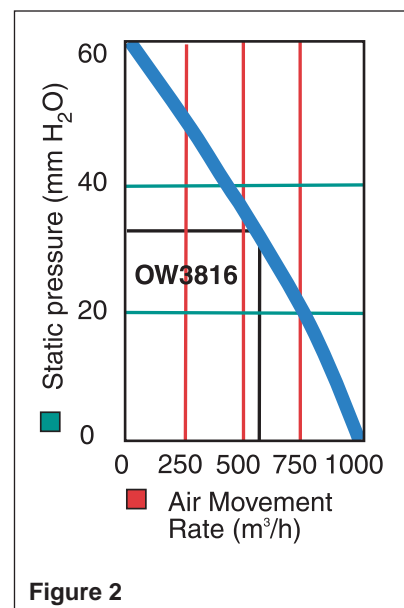
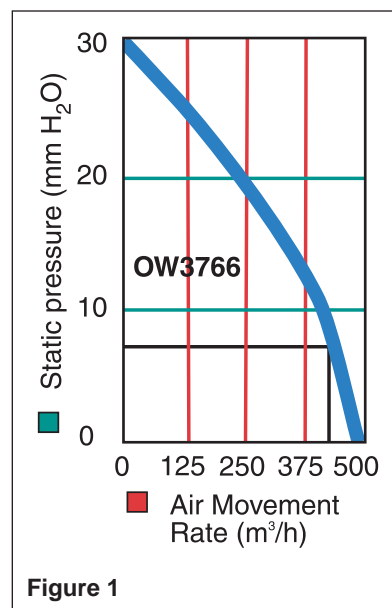
From that intersection point, drop down to the horizontal axis to find the Air Movement Rate that the fan delivers with the added Back Pressure Losses. If this is greater than your required fan capacity, your design is sound.

If it is below your required fan capacity, you'll need to revisit your design and either increase your duct or fan size, choose a different duct material, or reduce your bends and elbows.

Based on the two ducted examples we have used, Figure 1 shows that the OW3766 (150mm fan) is suitable for the smooth duct option. Figure 2 shows that because of the Pressure Losses caused by the flexible aluminium ducting, the larger OW3816 (200mm fan) with 200mm ducting is more suitable.

Note

Both of the fans used are Centrifugal fans as opposed to Axial fans.



CHOOSING THE BEST FAN FOR YOUR SITUATION

Air Change Recommendations

Different types of areas and rooms require different levels of ventilation. The following chart provides some basic recommendations.

Use this information in conjunction with the calculation method on pages 10 to 13 to determine the most appropriate fan for your specific application.

Table A - Air Changes Per Hour in Domestic, Commercial and Industrial Locations

Location	Number of Changes
Bathroom.....	6-10
Bedroom.....	2-4
Café.....	8-14
Canteen/Tuck Shop.....	6-10
Car Park.....	8
Carpenters/Tuck Shop.....	10
Cellar.....	10
Conference Room.....	10
Factory.....	10
Foundry.....	20-30
Gymnasium.....	8-15
Hairdresser.....	10-15
Hotel/Motel(Inc Bar).....	10-15
Kitchen (domestic).....	15-20
Kitchen (commercial).....	15-25
Laundry.....	10-15
Living Room.....	3-6
Office.....	5
Restaurant.....	8-15
Shop.....	12
Swimming Pool.....	7-8
Theatre.....	6-8
Toilet.....	10-15
Waiting Room.....	7-8
Warehouse.....	5-10

Table B - Pressure Loss Per Metre in mm of H₂O

Air Movement Rate (m ³ /h)	100mm Duct	125mm Duct	150mm Duct	200mm Duct	250mm Duct	320mm Duct
60	0.07	0.03	0.01	-	-	-
70	0.1	0.04	0.014	-	-	-
80	0.14	0.06	0.018	-	-	-
90	0.18	0.07	0.023	-	-	-
100	0.2	0.08	0.025	-	-	-
150	0.4	0.17	0.055	0.013	-	-
200	0.7	0.3	0.09	0.023	-	-
250	1.2	0.42	0.15	0.035	-	-
300	1.5	0.65	0.2	0.05	0.014	-
400	2.6	1.3	0.4	0.08	0.023	-
500	4.2	1.7	0.55	0.13	0.035	-
600	6	2.5	0.8	0.17	0.05	0.013
700	8	3.2	1	0.24	0.07	0.018
800	9.5	4	1.4	0.3	0.08	0.025
900	-	4.5	1.5	0.35	0.1	0.03
1000	-	6.5	2	0.45	0.13	0.035
1500	-	-	4.5	0.9	0.03	0.07

Table C - Air Speed (m/sec)

Air Movement Rate (m ³ /hr)	100mm Duct	125mm Duct	150mm Duct	200mm Duct	250mm Duct	320mm Duct
60	2	1.5	1	-	-	-
70	2.5	2	1.5	-	-	-
80	3	2	1.5	-	-	-
90	3	2.5	1.5	-	-	-
100	4	2.5	1.5	-	-	-
150	5	4	2.5	1.5	-	-
200	7	5	3	2	-	-
250	8	6	4	2.5	-	-
300	10	7	5	2.5	1.5	-
400	15	10	6	4	2	-
500	20	15	8	5	2.5	-
600	20	15	9	5	3	2
700	25	20	10	6	4	2
800	25	20	15	7	4	2.5
900	-	20	15	7	5	3
1000	-	25	15	8	5	3
1500	-	-	25	15	8	5

Table D

Air Speed(m/sec)	1	2	3	4	5	6	7	8	9	10	15	20	30
Pressure Loss Bend (mm H ₂ O)	0.01	0.05	0.1	0.2	0.3	0.4	0.5	0.7	0.9	1.1	2.5	4.5	10
Pressure Loss for Elbow (mm H ₂ O)	0.1	0.35	0.8	1.4	2	3	4	5.5	7	9	20	35	65

AIRFLOW CEILING EXHAUST FANS

Airflow Duct-Ready Ceiling Exhaust Fans

Cat. Nos.
CEF40
CEF40WK

This flagship exhaust fan of the Airflow product range is the easiest to install fan of its type on the market, offering class-leading performance and a modern appearance.

Designed to minimise dust build-up by an incredible 80%, this fan retains its clean appearance for much longer, making it ideal for both homes and businesses. Dust build-up is unsightly, unhealthy and places additional strain on the fan by reducing airflow. The benefits of this 'clean' design are impressive.

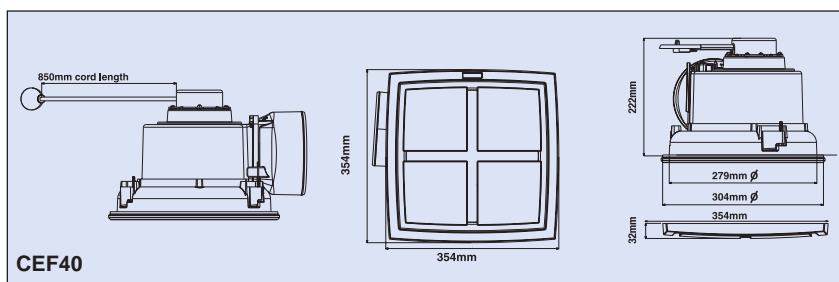
The installation is made easy by several innovative design features (with patents pending) and we guarantee that you'll find this fan quick and easy to install.

The fan can be installed into the ceiling from within the room (no need to enter the ceiling space). This ensures easy installation and maintenance.

Ideally suited to rental properties this fan is perfect for applications where the tenant is unlikely to clean the fan regularly.

Features

- 80% less dust build-up reduces cleaning & maintenance
- High performance (300m³/hr) centrifugal fan
- Circular hole cutout for easy installation
- Square inlet is easily rotated for quick alignment with walls
- Continuously rated ball bearing motor
- Duct-ready, accepting 150mm ducting
- Built-in backdraft shutter
- Fitted with plug and lead
- Patents pending
- Suitable for homes and businesses



CEF40

The fan is duct-ready allowing the quick attachment of 150mm diameter ducting, for applications where the room needs to be ventilated outside the building.

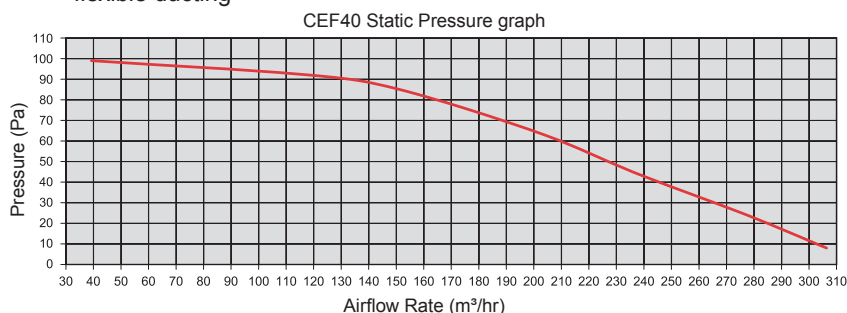
The inclusion of a backdraft shutter ensures compliance with the Energy Efficiency requirements of the national Building Code of Australia (BCA), plus various local and State based regulatory bodies.

Fan Type – Centrifugal	
Catalogue Number	CEF40 / CEF40WK
Cubic metres per hour	300 m ³ /hr
Litres per second	83 l/s
Overall intake size (A)	354mm x 354mm
Duct size dia (B)	150mm
Room protrusion (C)	32mm
Required ceiling clearance (D)	230mm
Plug and lead length	850mm
Backdraft shutter	Yes
Hole size dia	287mm
Number of speeds	1
Rated voltage	240V 50Hz T
Watts	35W
Full load current	0.15A
Motor type	Ball bearing
Decibel rating at 3M	44dBA
IP Rating	IPX4
Fan weight	4.5kg
Approvals	AS/NZS 60335.2.80, S/1 N700

CEF40WK

- Convenient all-in-one ducted exhaust fan kit, supplied complete with the following items;
- 1 x CEF40 exhaust fan
- 1 x 3M x 150mm foil-type flexible ducting

- 1 x Wall/eaves outlet supplied with gravity shutters, fixed louvre and insect screen
- 1 x Roll of duct tape
- 1 x Cable-tie
- 1 x Installation instructions and template



AIRFLOW CEILING EXHAUST FANS

Airflow Slimline Ceiling Exhaust Fans

Cat. Nos.

CE200

CE250

Designed to fit discreetly into cavity type ceilings, Airflow low profile Exhaust Fans are ideal for bathrooms, kitchens, laundries and toilets.

The slimline, flyproof grille has been designed for easy cleaning. Simply snap off the grille and place it in the dishwasher.

Unique patented sliding mounting clips provide easy installation by one person. The design also allows for direct screw fixing.

Heavy-duty continuous rated ball bearing motors are standard.

Note

A minimum of 50cm clear space is required behind each fan in ceiling space. These fans should not be mounted within 1200mm of stove tops.

Features

- Attractive low profile grille.
- Fly-proof grille to keep out insects.
- Grille is easy to remove, and dishwasher proof.
- Easy installation with unique sliding clamp mounting.
- Fitted with plug and lead.
- Choice of 200mm and 250mm versions.
- Heavy-duty ball bearing motor.
- Double insulated.

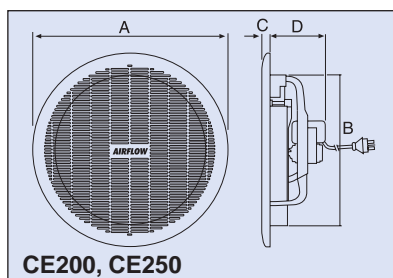
4 Pack Convenience

As Airflow CE200 and CE250 Ceiling Exhaust Fans are perfect for so many locations, such as bathrooms, laundries and toilets, they are also available in convenient packs of four. Cat. Nos. 4XCE200 (200mm version) and 4XCE250 (250mm version).

These four packs also contain four surface sockets. (Clipsal catalogue number 413).



CE200, CE250



CE200, CE250



CE200, CE250

Fan Type - Axial

Catalogue Number	CE200	CE250
Cubic metres per hour	260m ³ /h	385m ³ /h
Litres per second	72 l/s	107 l/s
Overall intake size (A)	305mm ø	345mm ø
Duct size dia. (B)	232mm ø	284mm ø
Room protrusion (C)	23mm	19mm
External protrusion (D)	110mm	110mm
Plug and lead length	855mm	800mm
Hole size dia.	240mm ø	287mm ø
Minimum mounting height above cooktop	1200mm	1200mm
Fan dia.	200mm ø	250mm ø
Number of speeds	1	1
Rated voltage	240V	240V
Watts	30W	40W
Full load current	0.21A	0.32A
Motor type	Ball bearing	Ball bearing
Decibel rating at 3 metres	45dBA	44dBA



Note

The CE200 & CE250 can be used in conjunction with the Ceiling Exhaust Draftstoppa (CEDS1). Refer to page 73.



AIRFLOW HEAVY-DUTY CEILING EXHAUST FANS

Airflow Metal Line Ceiling Exhaust Fans

Cat. Nos.

MCE175
MCE200
MCE250
MCE300

These fans are designed specifically for use above stove tops. In addition to being attractively designed to suit most contemporary kitchens, their metal construction is heat resistant for optimum performance under the toughest conditions.

The 300mm model (MCE300) is particularly suited for use above large stove tops.

Features

- All metal construction for optimum performance in the toughest conditions.

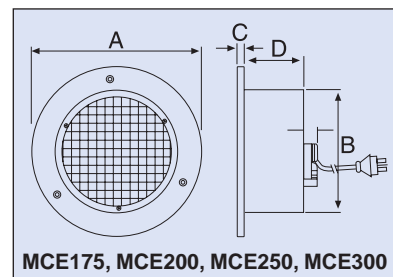


MCE175, MCE200, MCE250, MCE300

- High strength fly-proof egg crate grille.
- Four sizes (175mm up to 300mm) to suit most applications.
- Powerful heavy-duty motor as standard.
- Direct fix mounting for easy installation.
- Fitted with plug and lead.
- Double insulated.

Note

All models can be used in conjunction with the Ceiling Exhaust Draftstopper (CEDS1). Refer to page 73.



MCE175, MCE200, MCE250, MCE300



MCE175, MCE200, MCE250, MCE300

Fan Type - Axial	MCE175	MCE200	MCE250	MCE300
Catalogue Number	MCE175	MCE200	MCE250	MCE300
Cubic metres per hour	224m ³ /h	330m ³ /h	454m ³ /h	666m ³ /h
Litres per second	62 l/s	92 l/s	126 l/s	185 l/s
Overall intake size (A)	256mm ø	292mm ø	332mm ø	389mm ø
Duct size dia. (B)	195mm ø	235mm ø	270mm ø	325mm ø
Room protrusion (C)	6mm	6mm	8mm	8mm
External protrusion (D)	125mm	125mm	150mm	162mm
Plug and lead length	900mm	900mm	900mm	900mm
Hole size dia.	195mm ø	235mm ø	270mm ø	325mm ø
Minimum mounting height above cooktop	600mm	600mm	600mm	600mm
Fan dia.	175mm ø	200mm ø	250mm ø	300mm ø
Number of speeds	1	1	1	1
Rated voltage	240V	240V	240V	240V
Watts	22W	31W	46W	52W
Full load current	0.2A	0.3A	0.4A	0.5A
Motor type	Ball bearing	Ball bearing	Ball bearing	Ball bearing
Decibel rating at 3 metres	46dBA	47dBA	43dBA	46dBA



AIRFLOW DECORATIVE CEILING EXHAUST FANS

Airflow Metal Line Ceiling Exhaust Fan

Cat. No.
CE250M

The Metal Line Ceiling Exhaust Fan complements the very popular metal décor look and is backed by a quiet ball bearing motor that delivers a powerful performance.

This model, with its stylish, low profile design, is available in two finishes; Chrome and Gold.

Features

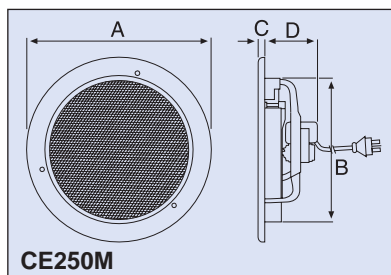
- Gold (GD) or Chrome (CH) finishes to suit contemporary décor.
- Attractive matching fly-proof mesh grille.
- Direct fix mounting for easy installation.
- Quiet ball bearing motor as standard.
- Fitted with plug and lead.
- Double Insulated.

Note

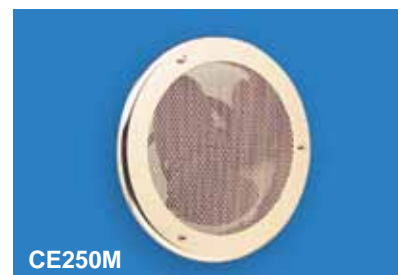
All models can be used in conjunction with the Ceiling Exhaust Draftstoppa (CEDS1). Refer to page 73.



CE250M



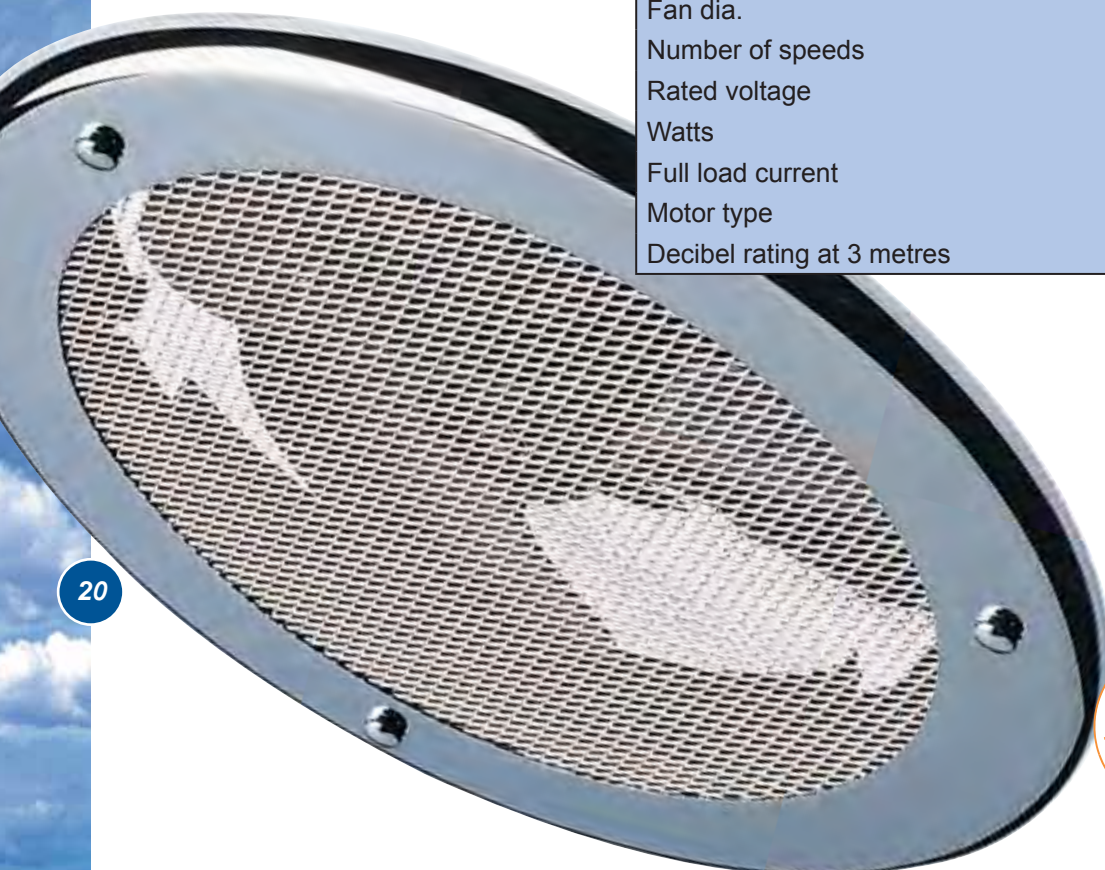
CE250M



CE250M

Fan Type - Axial

Catalogue Number	CE250M (GD) (CH)
Cubic metres per hour	568m ³ /h
Litres per second	158 l/s
Overall intake size (A)	360mm ø
Duct size dia. (B)	284mm ø
Room protrusion (C)	15mm
External protrusion (D)	93mm
Plug and lead length	900mm
Hole size dia.	287mm ø
Minimum mounting height above cooktop	900mm
Fan dia.	250mm ø
Number of speeds	1
Rated voltage	240V
Watts	45W
Full load current	0.34A
Motor type	Ball bearing
Decibel rating at 3 metres	44dBA



MISTRAL CEILING EXHAUST FANS

Mistral 300mm Utility Ceiling Exhaust Fan

Cat. No.
6230-0

Mistral Ceiling Exhaust Fans incorporate powerful rubber mounted motors and aerodynamically designed fan blades and grilles that ensure stale air, smoke, grease and steam are removed quickly and efficiently.

Most Mistral Exhaust Fans carry a three year warranty of reliability and performance on the motor.

The level of quality and reliability of Mistral Exhaust Fans is so high that many thousands of units still operate quietly and efficiently after more than 30 years of use.

Features

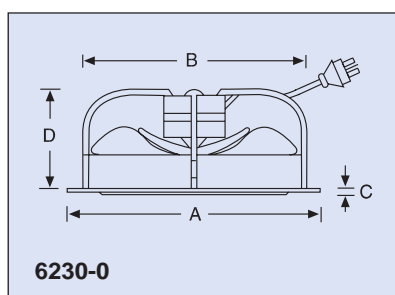
- Twist lock grille.
- Grille is able to be easily removed for cleaning.
- Fly-proof grille to keep out insects.
- Fitted with plug and lead.
- High performance motors.

Note

The 6230-0 can be used in conjunction with the Ceiling Exhaust Draftstopper (CEDS1). Refer to page 73.



6230-0



6230-0



6230-0

Fan Type - Axial

Catalogue Number	6230-0
Cubic metres per hour	660m ³ /h
Litres per second	183 l/s
Overall intake size (A)	380mm ø
Duct size dia. (B)	330mm ø
Room protrusion (C)	8mm
External protrusion (D)	149mm
Plug and lead length	1090mm
Fan blades	4
Hole size dia.	330mm ø
Fan dia.	300mm ø
Number of speeds	1
Rated voltage	240V
Watts	54W
Full load current	0.34A
Motor type	Sleeve bearing
Decibel rating at 3 metres	56dBA



MISTRAL CEILING EXHAUST FANS

Mistral Expressaire Ceiling Exhaust Fan

Cat. No.
6220-0

The automatically retracting fan blades on the Expressaire provide superior performance over similar size exhaust fans.

While the fan is switched off, the blades are closed to shut out insects and prevent back draught. When switched on, they open quickly and silently by centrifugal force.

Features

- Blades close to shut out insects and prevent back draught when fan is off.
- Capacitor motor.
- Blades can be removed for cleaning by simply unscrewing centre cap (see picture below).
- Fitted with Plug and Lead.

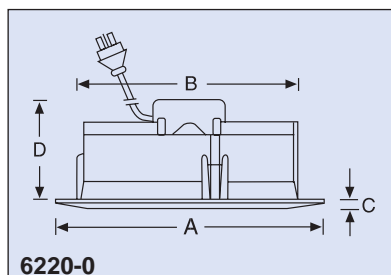
Note

The 6220-0 can be used in conjunction with the Ceiling Exhaust Draftstoppa (CEDS1). Refer to page 71.

More ceiling exhaust fans and accessories are featured in the Ducted Exhaust Fan Section on pages 36-51. Some wall exhaust fans can also be used in ceiling applications.



6220-0



6220-0



6220-0

Fan Type - Axial

Catalogue Number	6220-0
Cubic metres per hour	800m ³ /h
Litres per second	222 l/s
Overall intake size (A)	320mm ø
Duct size dia. (B)	290mm ø
Room protrusion (C)	8mm
External protrusion (D)	120mm
Plug and lead length	560mm
Fan blades	6
Hole size dia.	290mm ø
Fan dia.	254mm ø
Number of speeds	1
Rated voltage	240V
Watts	38W
Full load current	0.17A
Motor type	Sleeve bearing
Decibel rating at 3 metres	53dBA



AIRFLOW SUNSHINE CEILING EXHAUST FAN/LIGHT (TRADE PACK)

Cat No.
6300ATP

The Airflow Sunshine Ceiling Exhaust Fan/Light Trade Pack offers an alternative design than its Airflow counterpart CEL200, making it the ideal choice for applications where greater exhausting of steam, stale air or grease is required.

To add to this, the trade pack is economically priced while still maintaining its high and reliable performance.

Features

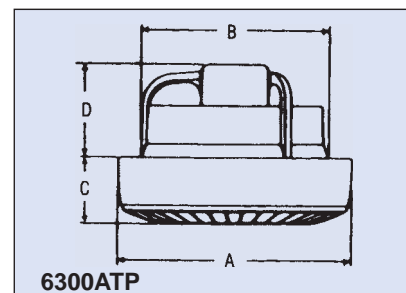
- Diffused 100 Watt light is easy on the eyes.
- Powerful 216mm fan.
- Fan and light can be operated either together or separately.
- Fly-proof grille to keep out insects.
- Swing out bar clamp mounting.
- Twist lock grille.
- Ball bearing motor.

Note

The 6300ATP can be used in conjunction with the Ceiling Exhaust Draftstopper (CEDS1). Refer to page 73.



6300ATP



Fan Type - Axial

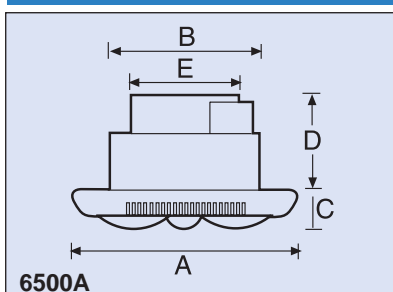
Catalogue Number	6300ATP
Cubic metres per hour	265m ³ /h
Litres per second	74 l/s
Overall intake size (A)	315mm ø
Duct size dia. (B)	250mm ø
Room protrusion (C)	88mm
Internal protrusion (D)	125mm
Centre lamp	100W (Max)
Hole size dia.	265mm ø
Fan dia.	216mm ø
Rated voltage	240V
Watts (Fan only)	24W
Full load current	0.2A
Motor type	Ball bearing
Decibel rating at 3 metres	50dBA



AIRFLOW SUNSHINE COMBINATION FAN/LIGHT/HEATERS

Airflow Sunshine Threesome

Cat. No.
6500A



The Threesome is designed for bathrooms with ceilings up to 2.7 metres (8 feet) in height.

Features include four 275 Watt globes for powerful, instant heat, an 11W CFL globe for superior lighting, a powerful exhaust fan and the slimline grille, that not only looks attractive, but improves exhaust performance too.

The Airflow Sunshine Threesome and Hi-Beam offer maximum comfort and convenience in an attractive slimline unit that is easy to install and economical to run.

Features

- Attractive, slimline design.
- Economical operation.
- 2 heat settings.
- 11W CFL centre light
- Powerful exhaust fan.
- Clipsal 2000 Series wall plate
- Switch mechs clearly labelled for helpful identification.
- Easy installation.

Fan Type - Axial	
Catalogue Number	6500A
Cubic metres per hour	338m ³ /h
Litres per second	94 l/s
Overall intake size (A)	375 x 375mm
Hole size dia. (B)	262 x 262mm
Room protrusion (C)	85mm
External protrusion (D)	190mm
Duct size dia. (E)	215mm ø
Heat lamps	4 x 275W
Centre lamp	11W CFL
Fan dia.	200mm ø
Rated voltage	240V
Watts	1160W
Full load current	5.2A
Motor type	Ball bearing
Decibel rating at 3 metres	46dBA

Specifications

Description	
Electrical ratings	Combination exhaust fan, heater and light 6500A-240V 5.2A (1160 Watts max.) 50Hz
Colour	White
Lamps	
Heat Lamps	6500A – 4 x 275 Watt heat globes
Central light	11W CFL
Lampholders	High temperature Edison screw
Exhaust Fan	
Size	200mm diameter
Motor	Double insulated ball bearing
Construction	
Body	0.88mm mild steel, spot-welded & powdercoated
Motor mount & Lamp support	0.6mm mild steel, spot-welded & powdercoated
Fascia	High temperature polycarbonate
Switch plates	2000 Series wall plate in White Electric with separate exhaust fan, light & 2 heat switch mechanisms



AIRFLOW SUNSHINE COMBINATION FAN/LIGHT/HEATERS

Airflow Sunshine En Suite

Cat. Nos.
6600A

The En Suite is suitable for small bathrooms and en suites with ceilings of average height (2.7 metres). The En Suite is also suited to small kitchens, toilets and laundries.

Included in these neat and compact three-in-one combination units are two 275 Watt radiant heat globes, one 14W CFL central reflector globe and a high performance exhaust fan.

Features

- Attractive design.
- Economical operation.
- 14 Watt centre light.
- Powerful exhaust fan with ball bearing motor.
- Clipsal 2000 Series wall and architrave plates.
- Switch mechs clearly labelled for helpful identification.
- Easy installation.
- Double insulated.



6600A



6600A

Fan Type - Axial	
Catalogue Number	6600A
Cubic metres per hour	338m ³ /h
Litres per second	94 l/s
Overall intake size (A)	435mm
Width (B)	264mm
Room protrusion (C)	60mm
External protrusion (D)	200mm
Duct size dia. (E)	200mm ø
Hole size (oblong)	325 (395) x 240mm
Plug and lead length	-
Heat lamps	2 x 275W
Centre lamp	14W CFL
Fan dia.	200mm ø
Rated voltage	240V
Watts	600W
Full load current	2.9A
Motor type	Ball bearing
Decibel rating at 3 metres	50dBA

Spare Parts	
Cat. No	Description
6500C	Heat Lamp 275W (6600A)
30HM	Heat Switch Mechanism
30FM	Fan Switch Mechanism
30LM	Light Switch Mechanism

Specifications	
Description	Combination heater and light
Electrical ratings	230/240V 600 Watts 50Hz
Colour	White
Lamps	
Heat Lamps	2 x 275 Watt
Central light	14W CFL
Lampholders	High temperature Edison screw
Exhaust Fan	
Size	200mm diameter
Motor	Double insulated ball bearing
Construction	
Body	High temperature, flame retardant Polypropylene
Fascia	High temperature polycarbonate
Switch plates	2000 Series wall & architrave plates in White Electric with separate heater, fan & light switch mechanisms



O.ERRE WINDOW EXHAUST FANS

O.ERRE Ventimatic and Ventil Series

Cat. Nos.

OW1117 (Ventimatic)

OW1125 (Ventimatic)

OW8427 (Ventil)

The Ventil and Ventimatic ranges of exhaust fans have an aesthetically pleasing, neat, square appearance with an unobtrusive clean looking shutter arrangement to blend well with any modern home or office.

Ideally suited to small bathrooms, en suites and toilets, the Ventil (OW8427) operates by a pull-cord while the Ventimatic Series, (OW1117 and OW1125) operates by a separate wall mounted switch.

Features

- All models incorporate shutters.
- Supplied with anti-vibration gasket.
- Splashproof (IPX4) & (IPX2) for OW8427.
- Suits glass up to 5mm in thickness.
- OW8427 features pull-cord operation.
- OW8427 suitable for wall mounting (please refer to WK8427 Wall Exhaust Fan on page 36).



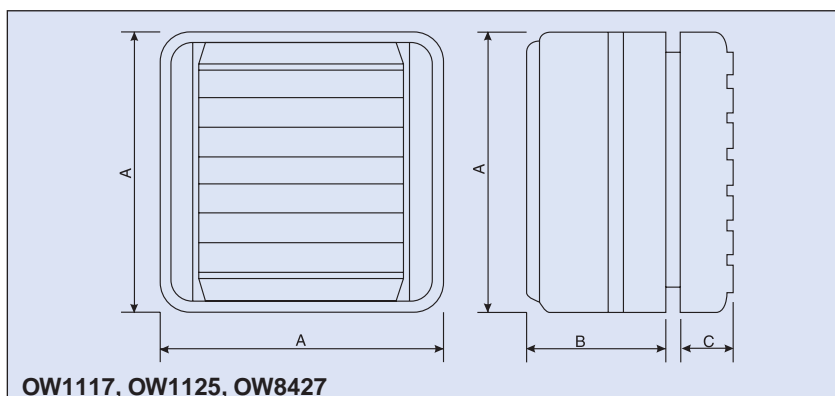
OW1117, OW1125, OW8427



OW1117, OW1125



OW8427



OW1117, OW1125, OW8427

Fan Type - Axial

Catalogue Number	OW1117	OW1125	OW8427
Cubic metres per hour	100m ³ /h	155m ³ /h	155m ³ /h
Litres per second	28 l/s	43 l/s	43 l/s
Overall intake size (A)	174 x 174mm	210 x 210mm	210 x 210mm
Room protrusion (B)	74mm	99mm	99mm
External protrusion (C)	29mm	29mm	29mm
Hole size dia.	155 - 165mm \varnothing	185 - 195mm \varnothing	185 - 195mm \varnothing
Switching operation	Automatic	Automatic	Pull-cord
Number of speeds	1	1	1
Rated voltage	220 - 240V	220 - 240V	220 - 240V
Watts	21W	30W	30W
Full load current	0.12A	0.14A	0.14A
Motor type (IPX4)	Sleeve bearing	Sleeve bearing	Sleeve bearing
Decibel rating at 3 metres	42dBA	43dBA	43dBA



O.ERRE WINDOW EXHAUST FANS

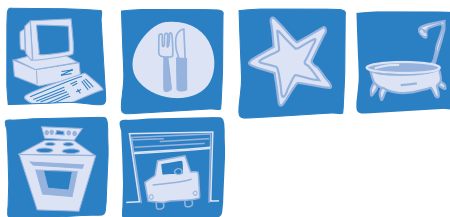
O.erre Ventilator Window Fans

Cat. Nos.
OW1885
OW1901
OW1901A

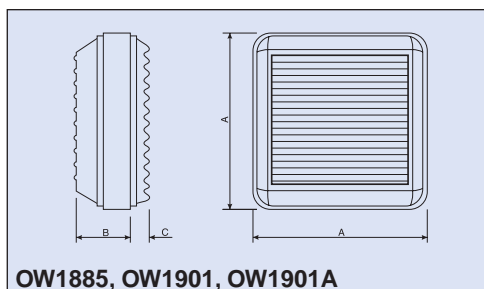
Ventilator Window Fans are compact in size, big on performance and easy on the eye. They can be window mounted in glass up to 5mm thick and are available with pull-cord or separate wall switch operation.

Features

- Axial fan with either pull-cord operation (OW1885) or automatic opening shutters to extract air or fumes directly outside.
- Suitable for window mounting in glass up to 5mm in thickness.
- Made of easy to clean ABS material.
- Rainproof external grille.
- Quick and simple installation.
- Easy maintenance.
- IPX2 Protection rating.
- Reversible option (except OW1885).
- Time delay on opening and closing of shutters provides quiet operation.
- Shutter can be left open to provide natural ventilation (except OW1885).
- Suitable for wall mounting. (Refer to Page 37).



OW1885, OW1901, OW1901A



OW1885, OW1901, OW1901A



OW1901, OW1901A



OW1885

Fan Type - Axial

Catalogue Number	OW1885	OW1901	OW1901A
Cubic metres per hour	450m ³ /h	450m ³ /h	450m ³ /h
Litres per second	125 l/s	125 l/s	125 l/s
Overall intake size (A)	280 x 280mm	280 x 280mm	280 x 280mm
Room protrusion (B)	94mm	94mm	94mm
External protrusion (C)	30mm	30mm	30mm
Hole size dia.	225/ 235mm ø	225/ 235mm ø	225/ 235mm ø
Number of speeds	1	3	* 3
Switching operation	Pull-cord	Automatic	Automatic
Rated voltage	220 - 240V	220 - 240V	220 - 240V
Watts	50W	50W	50W
Full load current	0.3A	0.3A	0.3A
Motor type (IPX2)	Sleeve bearing	Sleeve bearing	Sleeve bearing
Decibel rating at 3 metres	58dBA	58dBA	58dBA

*OW1901A, as standard, only has 1 speed. To achieve 3 speed control, OW3154 (sold separately) must be used.

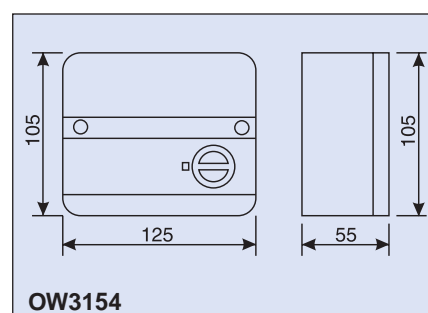
O.erre Electronic Fan Speed Controller

Cat. No.
OW3154

OW1901 and OW1901A can be 3 speed controlled by OW3154 (See page 71 for more details).



OW3154



OW3154

AIRFLOW WINDOW EXHAUST FANS

Airflow MaxAir Window Exhaust Fans

Cat. Nos.

7005A (150mm) Auto-Switched

7007A (150mm) Pull-Cord

7105A (200mm) Auto-Switched

7107A (200mm) Pull-Cord

MaxAir Exhaust Fans are new products which offer high performance air extraction with whisper quiet operation. They are attractively styled with silent operating shutters in a white gloss finish, which are also very easy to clean.

Most of the MaxAir Range can be easily retrofitted into existing cut-out holes. All installations are easily carried out by one person; a great time saving feature.

Window seals are provided to prevent water entry and to eliminate window vibration. Fans are designed to fit windows from 4 to 32mm and are configured to allow a flex and plug to be fitted, or they can be wired direct.

Features

- High performance air movement.
- Low noise level.
- One person installation.
- Pull-cord and auto shuttered models.
- Silently operating shutters. (Delay on opening and closing of up to 60 seconds).
- 150mm and 200mm models.
- Can replace many existing fan models.
- IPX4 Protection rating.
- Wall models available (see Wall Exhaust Fan section on page 29).



7005A, 7007A



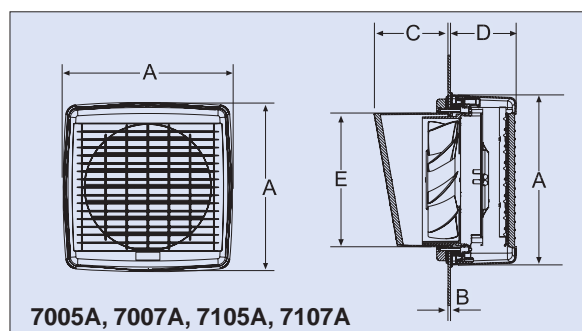
7105A, 7107A



7007A, 7107A



7005A, 7105A



7005A, 7007A, 7105A, 7107A

Fan Type - Axial	150mm		200mm	
Catalogue Number	7005A	7007A	7105A	7107A
Cubic metres per hour	360m ³ /h	360m ³ /h	600m ³ /h	600m ³ /h
Litres per second	100 l/s	100 l/s	167 l/s	167 l/s
Overall intake size (A)	245 x 245mm	245 x 245mm	271 x 271mm	271 x 271mm
Window depth* (B)	4 - 32mm	4 - 32mm	4 - 32mm	4 - 32mm
External protrusion (C)	95mm	95mm	95mm	95mm
Room protrusion (D)	95mm	95mm	105mm	105mm
Duct size dia. (E)	172mm ø	172mm ø	210mm ø	210mm ø
Hole size dia.	213mm ø	213mm ø	230mm ø	230mm ø
Shutter operation	Auto	Pull-Cord	Auto	Pull-Cord
Fan dia.	148mm ø	148mm ø	188mm ø	188mm ø
Number of speeds	1	1	1	1
Rated voltage	230 - 240V	230 - 240V	230 - 240V	230 - 240V
Watts	45W	45W	38W	38W
Full load current	0.27A	0.27A	0.18A	0.18A
Motor type	Sleeve bearing	Sleeve bearing	Ball bearing	Ball bearing
Decibel rating at 3 metres	49dBA	49dBA	50dBA	50dBA

*Up to 32mm can be achieved by using additional fastening bolts supplied with fan.



AIRFLOW WALL EXHAUST FANS

Airflow MaxAir Wall Exhaust Fan

Cat. Nos.

7006A (150mm) Auto-Switched

7008A (150mm) Pull-Cord

7106A (200mm) Auto-Switched

7108A (200mm) Pull-Cord

MaxAir Exhaust Fans are new products which offer high performance air extraction with whisper quiet operation. They are attractively styled with silent operating shutters in a white gloss finish, which are also very easy to clean.

Most of the MaxAir Range can be easily retrofitted into existing cut-out holes. All installations are easily carried out by one person, a great time saving feature.

MaxAir Fans are supplied with compact ductwork that will easily fit walls between 110 and 310mm. No cable ties or tape is needed, as the duct attaches easily to the fan's unique 'duct grippers'.

All fans are configured to allow a flex and plug to be fitted or they can be wired direct.

Features

- High performance air movement.
- Low noise level.
- One person installation.
- Pull-cord and auto shuttered models.
- Silently operating shutters (Delay on opening and closing of up to 60 seconds).
- 150mm and 200mm models.
- Can replace many existing fan models.
- IPX4 Protection rating.
- Window models available (see Window Exhaust Fan section on page 28).



7006A, 7008A



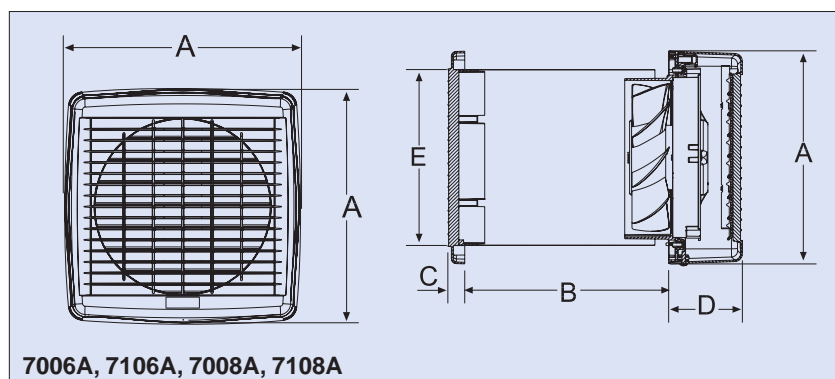
7106A, 7108A



7008A, 7108A



7006A, 7106A



7006A, 7106A, 7008A, 7108A

Fan Type - Axial	150mm		200mm	
Catalogue Number	7006A	7008A	7106A	7108A
Cubic metres per hour	360m ³ /h	360m ³ /h	600m ³ /h	600m ³ /h
Litres per second	100 l/s	100 l/s	167 l/s	167 l/s
Overall intake size (A)	245 x 245mm	245 x 245mm	271 x 271mm	271 x 271mm
Wall depth (B)	110 - 310mm	110 - 310mm	110 - 310mm	110 - 310mm
External protrusion (C)	20mm	20mm	20mm	20mm
Room protrusion (D)	83mm	83mm	93mm	93mm
Duct size dia. (E)	172mm ø	172mm ø	220mm ø	220mm ø
Hole size dia.	180mm ø or sq.	180mm ø or sq.	230mm ø	230mm ø
Shutter operation	Automatic	Pull-Cord	Automatic	Pull-Cord
Fan dia.	148mm ø	148mm ø	188mm ø	188mm ø
Number of speeds	1	1	1	1
Rated voltage	230 - 240V	230 - 240V	230 - 240V	230 - 240V
Watts	45W	45W	38W	38W
Full load current	0.27A	0.27A	0.18A	0.18A
Motor type	Sleeve bearing	Sleeve bearing	Ball bearing	Ball bearing
Decibel rating at 3 metres	49dBA	49dBA	50dBA	50dBA



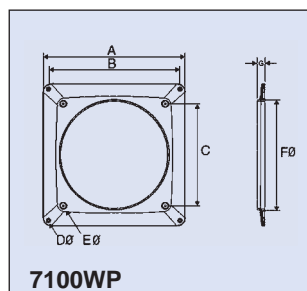
AIRFLOW WALL EXHAUST FAN ACCESSORIES

Wall Plate

Cat. No.
7100WP

When installing wall exhaust fans into brick work or concrete panels, it is sometimes difficult to cut holes to exact specifications. Therefore, Clipsal has developed the 7100WP to make the job easier for you.

Measuring 330 x 330mm, the Clipsal Wall Plate easily covers the cut-out holes of today's wall fans. When used in conjunction with the 7100WP, MaxAir's 7106A and/or 7108A can replace fans 6106-0, 6108-0, 6109-0 and 6110-0.



AIRFLOW WALL EXHAUST FAN ACCESSORIES

Airflow Slimline Axial Wall Fan

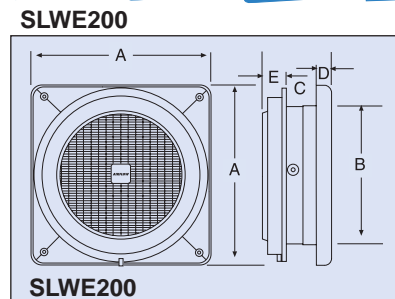
Cat. No.
SLWE200

The Airflow Slimline Axial Wall Fan provides an attractive solution for walls from 45 to 90mm, making it an excellent product for transportable homes, caravans, bathrooms, kitchens and more.

Its adjustable slimline design suits difficult installations such as transportable and mobile homes; while the metal body and weather resistant outlet panel ensures long life.

Features

- Robust metal body and impact resistant cover.
- 900mm twin core flex with stripped conductors.
- Powerful exhaust fan backed up by a ball bearing motor.
- Slimline design to suit smaller walls.
- Aesthetically pleasing to the eye.



Fan Type - Axial	
Catalogue Number	SLWE200
Cubic metres per hour	240m ³ /h
Litres per second	66.6 l/s
Overall intake size (A)	302 x 302mm
Duct size dia. (B)	245mm ø
Wall depth required (C)	Min. 45mm / Max. 90mm
External protrusion (D)	30mm
Internal protrusion (E)	33mm
Outlet grille size	302 x 302mm
Hole size dia.	245mm ø
Fan dia.	200mm ø
Number of speeds	1
Rated voltage	240V
Watts	30W
Full load current	0.3A
Motor type	Ball bearing
Decibel rating at 3 metres	51dBA



O.ERRE WALL EXHAUST FANS

O.erre Standard Fans

Cat. Nos.
WK1612 (150mm)

The O.erre range of wall exhaust fans is supplied complete with 450mm of flexible aluminium ducting; external wall outlets, duct clips and wall fixing screws.

All fans are made of high quality materials and components to make installation easy.

The standard range of fans is available in 100mm, 120mm and 150mm sizes, and are best suited to smaller rooms. These units are also ideal for those who need a wall fan but are on a limited budget.

Features

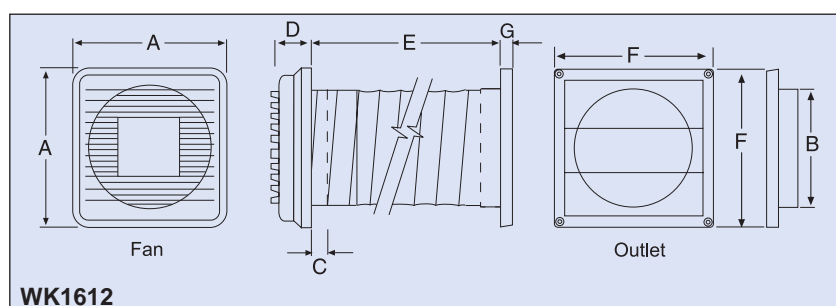
- Can be wall or ceiling mounted.
- Gravity shutter outlet to keep out draughts and insects on WK1570 and WK1588 (WK1612 has fixed grille outlet).
- Fan grille made in high gloss ABS materials.
- IPX4 Protection rating



WK1612



WK1612



Note

All fans can be purchased without wall kits by using **Cat. No. OW1612.**

Fan Type - Axial	
Catalogue Number	WK1612
Cubic metres per hour	230m ³ /h
Litres per second	64 l/s
Overall intake size (A)	210 x 210mm
Duct size dia. (B)	146mm ø
Internal protrusion (C)	62mm
Room protrusion (D)	40mm
Wall depth required (E)	Min. 86mm / Max. 450mm
Outlet grille size (F)	207 x 207mm
Outlet external protrusion (G)	28mm
Hole size dia.	170mm ø
Motor Protection	Thermal Cut-Out
Number of speeds	1
Rated voltage	220 - 240V
Watts	36W
Full load current	0.13A
Motor type (IPX4)	Sleeve bearing
Decibel rating at 3 metres	44dBA



O.ERRE WALL EXHAUST FANS

O.erre Mini Fans

Cat. Nos.
WK1372 (100mm)

Available in 100mm and 120mm sizes, O.erre Mini Fans are designed specifically for small rooms. Features include continuously rated ball bearing motors and the option of wall or ceiling mounting.

Features

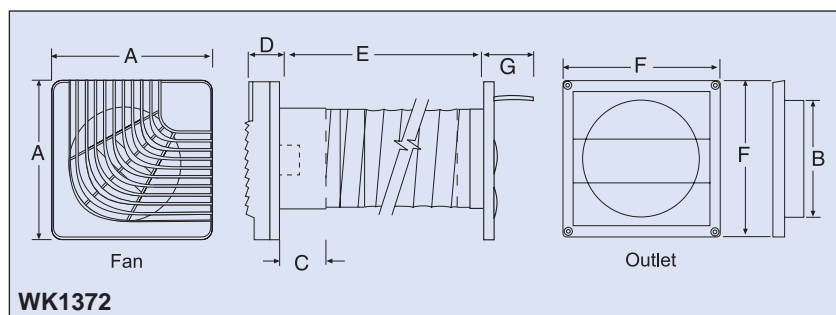
- Can be wall or ceiling mounted.
- Gravity shutter outlet to keep out draughts and insects.
- Fan grille made in easy to clean ABS materials.
- Motor fitted with ball bearings.
- Splashproof (IPX4 Protection rating).



WK1372



WK1372



WK1372

Fan Type - Axial	
Catalogue Number	WK1372
Cubic metres per hour	85m ³ /h
Litres per second	24 l/s
Overall intake size (A)	154 x 154mm
Duct size dia. (B)	98mm ø
Internal protrusion (C)	45mm
Room protrusion (D)	36mm
Wall depth required (E)	Min. 70mm / Max. 450mm
Outlet grille size (F)	149 x 149mm
Outlet external protrusion (G)	45mm
Hole size dia.	120mm ø
Number of speeds	1
Motor Protection	Thermal Cut-Out
Rated voltage	220 - 240V
Watts	14W
Full load current	0.08A
Motor type (IPX4)	Ball bearing
Decibel rating at 3 metres	38dBA



O.ERRE WALL EXHAUST FANS

O.erre Mini Fans with Infrared Sensors

Cat. Nos.
WK1216 (100mm)

When the infrared sensor detects a presence in the room, the fan is automatically activated after a short delay. Once the room is vacated the timer takes control, keeping the fan operating for a preset time. The infrared feature operates in both light and dark conditions, with a radius of 8 metres.

Features

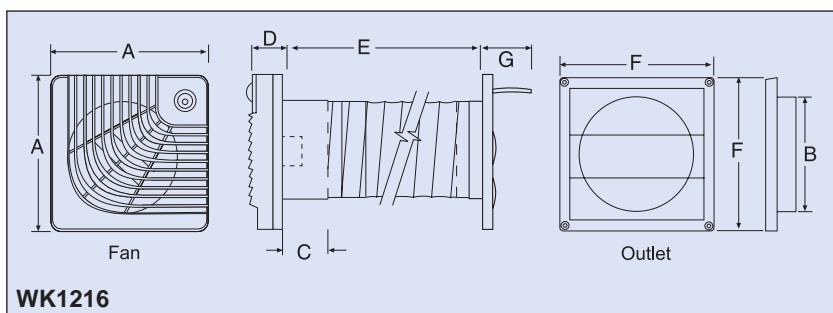
- Can be wall or ceiling mounted.
- Gravity shutter to keep out draughts and insects.
- Fan grille made in easy to clean ABS materials.
- Ball bearing motor.
- Splashproof (IPX4 Protection Rating).
- Adjustable timer built into unit can be set to operate for between 2 and 20 minutes (approximately).



WK1216



WK1216



Fan Type - Axial	
Catalogue Number	WK1216 (With Sensor)
Cubic metres per hour	85m ³ /h
Litres per second	24 l/s
Overall intake size (A)	154 x 154mm
Duct size dia. (B)	98mm ø
Internal protrusion (C)	45mm
Room protrusion (D)	36mm
Wall depth required (E)	Min. 70mm / Max. 450mm
Outlet grille size (F)	149 x 149mm
Outlet external protrusion (G)	45mm
Hole size dia.	120mm ø
Number of speeds	1
Rated voltage	220 - 240V
Watts	14W
Full load current	0.08A
Motor type (IPX4)	Ball bearing
Decibel rating at 3 metres	38dBA



O.ERRE WALL EXHAUST FANS

O.erre Minimatic with Auto Shutters

Cat. Nos.
WK8450 (150mm)

The main benefit of the Minimatic Series is its versatility. For total convenience, fans can be either wall or ceiling mounted. Automatic shutters are incorporated into these units to ensure unwanted draughts are kept outside.



WK8450, WK8468



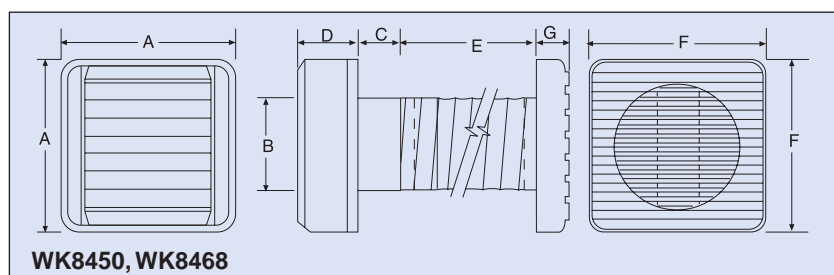
WK8450, WK8468

O.erre Minimatic with Timer

Cat. Nos.
WK8468 (150mm)

Electronic timer versions are available so that the fan operates automatically for durations of 2 to 20 minutes (approximately).

Timer operates after switch is switched off.



WK8450, WK8468

Features

- Ball bearing motors.
- Splashproof (IPX4 Protection rating).
- Automatic shutters.
- WK8450 and WK8468 are supplied with fixed grille outlet.

Fan Type - Axial		
Catalogue Number	WK8450	WK8468 (With Timer)
Cubic metres per hour	230m ³ /h	230m ³ /h
Litres per second	64 l/s	64 l/s
Overall intake size (A)	210 x 210mm	210 x 210mm
Duct size dia. (B)	146mm ø	146mm ø
Internal protrusion (C)	62mm	62mm
Room protrusion (D)	54mm	54mm
Wall depth required (E)	Min. 86mm / Max. 450mm	Min. 86mm / Max. 450mm
Outlet grille size (F)	207 x 207mm	207 x 207mm
Outlet external protrusion (G)	28mm	28mm
Hole size dia.	170mm ø	170mm ø
Number of speeds	1	1
Rated voltage	220 - 240V	220 - 240V
Watts	45W	45W
Full load current	0.13A	0.13A
Motor type (IPX4)	Ball bearing	Ball bearing
Decibel rating at 3 metres	44dBA	44dBA

Note: All fans can be purchased without wall kits by using Cat. Nos. **OW8450** and **OW8468**.



O.ERRE WALL EXHAUST FANS

O.erre Ventil Wall Fan

Cat. No.
WK8427

The Ventil Wall Exhaust Fan has a contemporary neat, square appearance, with an unobtrusive clean looking shutter arrangement for modern homes and offices.

Ideally suited to small bathrooms, en suites and toilets, the Ventil WK8427 operates by pull-cord switching.

Features

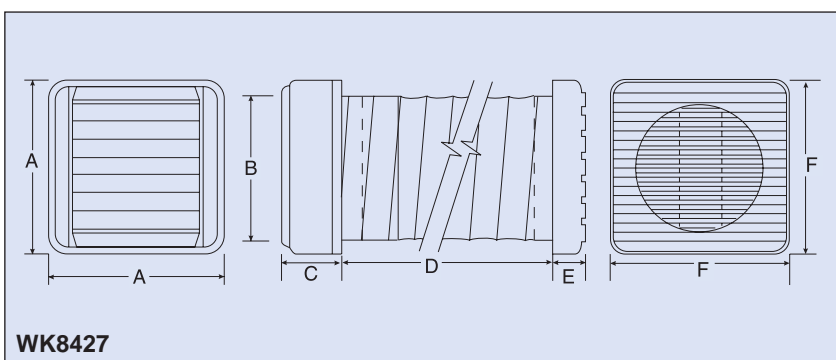
- Splashproof (IPX2 Protection rating).
- Grilles made of easy to clean ABS material.
- Shutters with quiet operation.
- Suitable for walls up to 450mm.
- Pull-cord operation.
- Can be window mounted (see page 26, refer to Cat. No. **OW8427**).



WK8427



WK8427



WK8427

Timber or Metal Stud Wall Construction - Fan Type - Axial

Catalogue Number	WK8427
Cubic metres per hour	155m ³ /h
Litres per second	43 l/s
Overall intake size (A)	210 x 210mm
Duct size dia. (B)	150mm ø
Room protrusion (C)	29mm
Wall depth required (D)	Min. 45mm / Max. 450mm
External protrusion (E)	99mm
Outlet grille size (F)	207 x 207mm
Hole size dia.	170mm ø
Number of speeds	1
Rated voltage	220 - 240V
Watts	30W
Full load current	0.13A
Motor type (IPX2)	Ball bearing
Decibel rating at 3 metres	43dBA



O.ERRE WALL EXHAUST FANS

O.erre Ventilator Wall Fans

Cat. Nos.
WK1885

Ventilator Wall Fans are designed with the same look and operating functions as their window mounted counterparts. Compact, yet big on performance, they feature pull-cord or automatic opening shutter operation, a rainproof external grille and an IPX2 Protection rating.

Features

- Axial fan with either pull-cord operation (WK1885) or automatic opening shutters to extract air and fumes directly outside.
- Made of easy to clean ABS material.
- Rainproof external grille.
- Quick and simple installation.
- Easy maintenance.
- Suitable for window mounting (Refer to page 25).
- IPX2 Protection rating.

Note

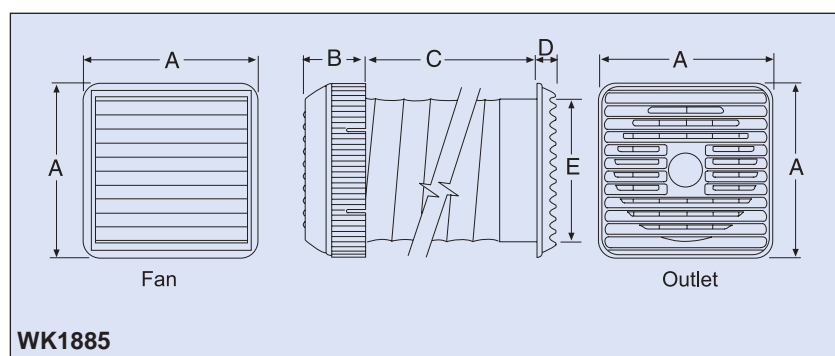
For more information about Ventilator Fan Accessories, refer to page 71.



WK1885



WK1885



WK1885

Fan Type - Axial	
Catalogue Number	WK1885
Cubic metres per hour	450m ³ /h
Litres per second	125 l/s
Overall intake size (A)	280 x 280mm
Room protrusion (B)	94mm
Wall depth required (C)	Up to 450mm
Outlet external protrusion (D)	30mm
Duct size dia. (E)	225mm ø
Hole size dia.	235mm ø
Number of speeds	1
Switch operation	Pull-cord
Rated voltage	220 - 240V
Watts	50W
Full load current	0.3A
Motor type (IPX2)	Sleeve bearing
Decibel rating at 3 metres	58dBA



O.ERRE DUCTED EXHAUST FANS

O.erre Compact 300 Series

Cat. No.
OW8542

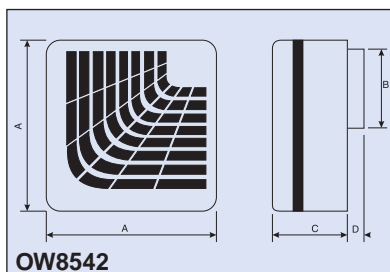
The O.erre Compact 300 Series of centrifugal fans include a standard ducted exhaust fan (**Cat. No. OW8542**). This model can be ceiling or wall mounted, and the position of the outlet hole makes installation in difficult locations easy.

Features

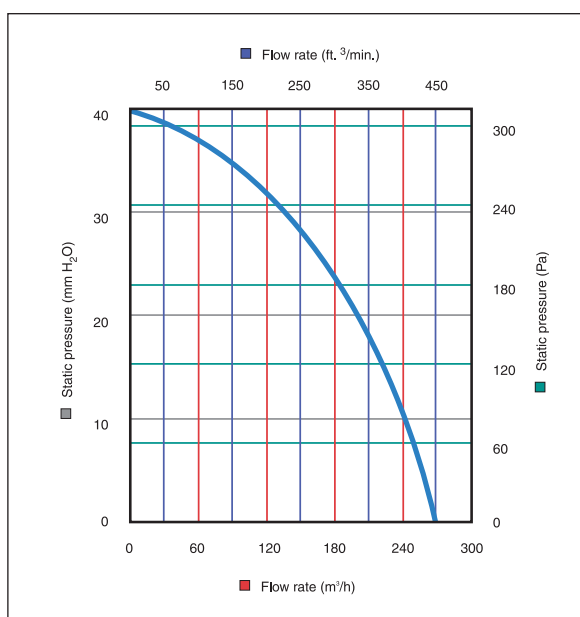
- Centrifugal fan to extract air and fumes through 100mm ducting or PVC pipes.
- Can be ceiling or wall mounted.
- Washable filter ensures long life of the motor.
- Integral back draught shutter.
- Front grille can be installed in any position.
- The position of the outlet hole in the corner allows installation in difficult situations.
- Two part installation (base and front grille/filter) ensures quick and easy installation.
- Anti-vibration elastomer gasket fits on uneven surfaces.



OW8542



OW8542



Fan Type - Centrifugal

Catalogue Number	OW8542
Cubic metres per hour	250m ³ /h
Litres per second	69 l/s
Overall intake size (A)	250 x 250mm
Duct size dia. (B)	100mm ø
Room protrusion (C)	111mm
Internal protrusion (D)	20mm
Hole size dia.	105mm ø
Number of speeds	1
Humidity adjustment	-
Rated voltage	220 - 240V
Watts	95W
Full load current	0.38A
Motor type (IPX4)	Sleeve bearing
Decibel rating at 3 metres	54dBA
Max Press. (mmH ₂ O)	40mmH ₂ O
Max Press. (Pa)	392 Pa



O.ERRE IN-LINE CENTRIFUGAL DUCTED EXHAUST FANS

O.erre Turbo In-Line Centrifugal Series Fans

Cat. Nos.
OW3709
OW3733
OW3766
OW3816
OW3832
OW3840

Six products are available in the Turbo In-Line Centrifugal Series of High Performance fans. They are specifically designed for ducted cooling/heating transfer applications, as well as the conveying of air or fumes. They are suitable for use on machines where forced ventilation or air suction is required.

O.erre Turbo In-Line Centrifugal Series fans are suitable for applications in domestic, commercial and industrial areas such as bathrooms, kitchens, offices, factories, shops, bars, gymnasiums, restaurants and other areas.

Features

- Complete range of inlet and outlet diameters to allow installation in most standard sizes of commercial ducts.

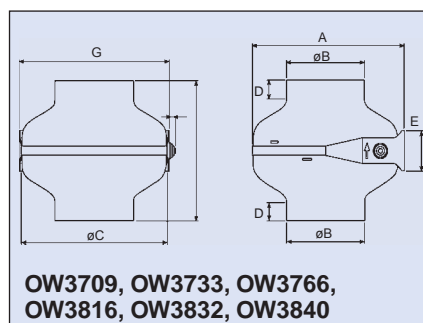
- The Turbo In-Line Centrifugal range is comprised of 6 models including 100, 125, 150, 200, 250 and 315mm sizes.
- All models are backed up by ball bearing motors with thermo-protection.
- Zinc plated steel body, which houses a well supported motor with incorporated airflow fins.
- Mounting bracket integrated with the product allowing installation in any position. Holes provided in the bracket allow mounting and connection to flexible cords.
- Installation and electrical connection is particularly fast and easy.
- Terminal boxes have IP54 protection.
- IPX4 Protection rating.
- Double insulated.
- PVC models available to special order in 100, 125 and 150mm sizes.
- Adapts to Airflow ducting accessories (refer to Pages 49-50).



OW3709, OW3733, OW3766, OW3816, OW3832, OW3840



OW3709, OW3733, OW3766, OW3816, OW3832, OW3840



OW3709, OW3733, OW3766, OW3816, OW3832, OW3840

Note: Other accessories for turbo in-line centrifugal fans include gravity shutters (refer to Page 40).

Fan Type - Centrifugal						
Catalogue Number	OW3709	OW3733	OW3766	OW3816	OW3832	OW3840
Cubic metres per hour	270m³/h	400m³/h	500m³/h	1050m³/h	1200m³/h	1400m³/h
Litres per second	75 l/s	111 l/s	139 l/s	292 l/s	333 l/s	389 l/s
Overall intake size (A)	287mm	287mm	287mm	354mm	354mm	354mm
Duct size dia. (B)	98mm Ø	123mm Ø	148mm Ø	198mm Ø	248mm Ø	313mm Ø
Overall dia. (C)	275mm Ø	275mm Ø	275mm Ø	345mm Ø	345mm Ø	345mm Ø
Duct lip height (D)	17mm	24mm	32mm	34mm	48mm	48mm
Bracket width (E)	70mm	70mm	70mm	84mm	84mm	84mm
Height (F)	242mm	242mm	242mm	272mm	272mm	272mm
Width (G)	282mm	282mm	282mm	345mm	345mm	345mm
Cable gland width (H)	12mm	12mm	12mm	12mm	12mm	12mm
Optional protection grille	OW6082	OW6090	-	-	-	-
Optional gravity shutter	-	-	OW6249	-	OW6264	OW6272
Number of speeds	1	1	1	1	1	1
Rated voltage	220-240V	220-240V	220-240V	220-240V	220-240V	220-240V
Watts	75W	75W	75W	180W	180W	280W
Full load current	0.35A	0.38A	0.38A	0.78A	0.78A	1.24A
Motor type (IPX4)	Ball bearing	Ball bearing	Ball bearing	Ball bearing	Ball bearing	Ball bearing
RPM	2600	2530	2530	2550	2590	2500
Decibel rating at 3 metres	53dBA	52dBA	52dBA	58dBA	59dBA	59dBA
Maximum operating temp.	55°C	55°C	55°C	55°C	55°C	55°C
Max Press. (mmH ₂ O)	30mm H ₂ O	29mm H ₂ O	29mm H ₂ O	55mm H ₂ O	56mm H ₂ O	65mm H ₂ O
Max Press. (Pa)	294 Pa	285 Pa	285 Pa	540 Pa	549 Pa	638 Pa

O.ERRE TURBO SERIES GRAVITY SHUTTERS

O.erre Turbo Series Gravity Shutters

Cat. Nos.

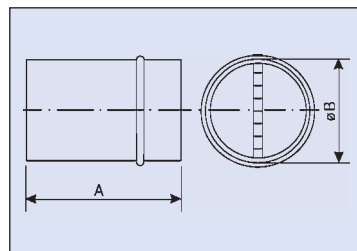
OW6249 (150mm)

OW6264 (250mm)

Turbo in-line centrifugal series gravity shutters open automatically when airflow is detected. When airflow ceases, the gravity shutters close. These are ideal for situations where back draughts can cause problems eg. multiple duct runs.

Features

- Zinc plated body.
- Aluminium shutters.



Gravity Shutters

Gravity Shutter for Turbo/TST Fans

Catalogue No:	OW6249	OW6264
Suits Turbo/TST fan:	OW3766	OW3832
Width (B)	102mm	152mm
Diameter (øa)	144mm ø	244mm ø

O.ERRE IN-LINE AIR SHIFTERS

O.erre TB Series In-Line Air Shifters

Cat. Nos.

OW1943

OW1950

The O.erre TB Series of In-Line axial air shifters consists of 120/125 and 150mm diameter models that are made for installation into ducting.

The air shifters can be used to extract air, intake air, or as a booster to increase airflow in an existing installation. They are ideal for providing a return air source for vent-free rooms.

Features

- Body made from thermoplastic material.
- Polypropylene impeller.
- Induction motor. Impedance protection on model OW1943. Thermal protection on OW1950.
- Protected against water splashes, IPX4 Protection rating.
- Low power consumption and noise make the fan suitable for any use.
- Air direction starts from the motor end and continues over the blades.
- Adapts to Airflow/O.erre ducting accessories. Please refer to Ducting Accessories Section on pages 47-51 for more details.

Note

For optimum performance, it is recommended that the position of all in-line fans in duct work is such that it draws the air towards the unit, not pushes air away.



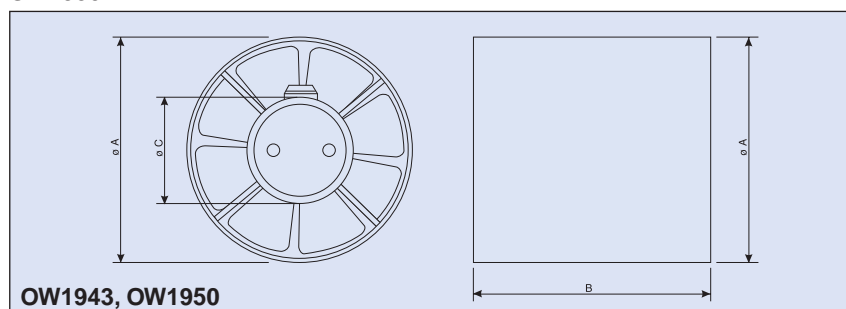
OW1943, OW1950



OW1943



OW1950



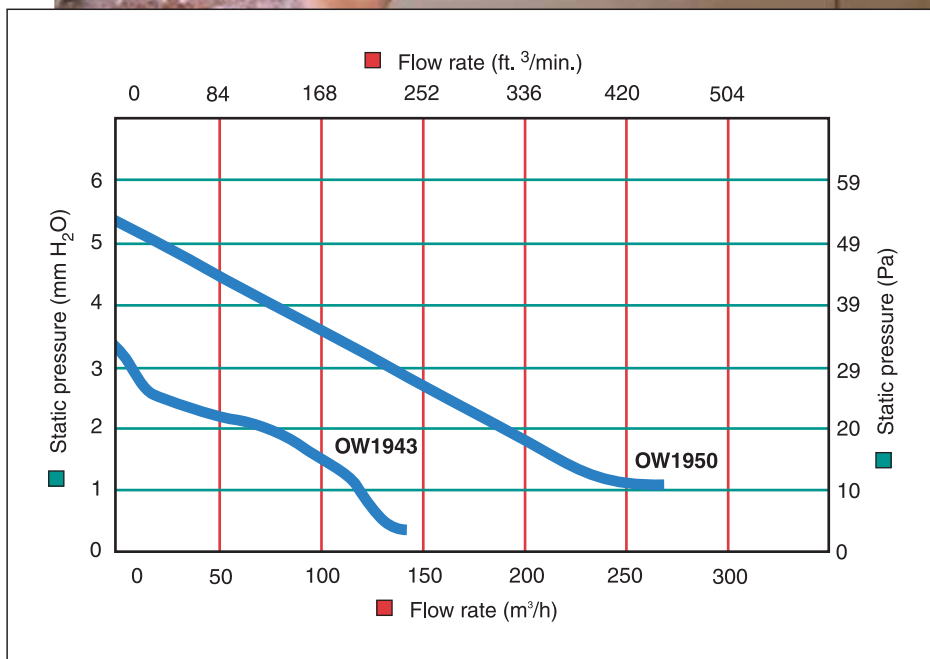
OW1943, OW1950

Fan Type - Axial In-Line

Catalogue Number	OW1943	OW1950
Cubic metres per hour	130m ³ /h	250m ³ /h
Litres per second	36 l/s	69.5 l/s
Overall diameter (A)	116mm ø	147mm ø
Overall length (B)	97mm	113mm
Fan motor dia. (C)	55mm	55mm
Duct size recommended	120/ 125mm ø	150mm ø
Gravity shutter recommended	OW8039	CEOL150
Outlet grille recommended	OW8021	OW9078
Inlet grille recommended	OW8021	CEIL150
Number of speeds	1	1
Rated voltage	220 - 240V	220 - 240V
Watts	15W	25W
Full load current	0.1A	0.2A
Motor type (IPX4)	Sleeve bearing	Sleeve bearing
RPM	2200	2400
Decibel rating at 3 metres	41dBA	47.5dBA
Maximum Operating Temp.	35°C	35°C
Max Press. (mmH ₂ O)	3.5mm H ₂ O	5.5mm H ₂ O
Max Press. (Pa)	34.3 Pa	54 Pa




Made in Italy



AIRFLOW IN-LINE AIR SHIFTERS

Airflow In-Line Air Shifters

Cat. Nos.

CE150AS (Single Speed)

CE200AS (Single Speed)

CE200AS2 (Two Speed)

CE250AS (Single Speed)

CE250AS2 (Two Speed)

Designed for use with flexible ducting, Airflow In-Line Air Shifters are available in 150mm, 200mm and 250mm versions, with single and two speed configurations. All air shifters have heavy-duty ball bearing motors and are continuous rated.

Note

For optimum performance, it is recommended that the position of all in-line fans in duct work is such that it is placed to draw the air towards it, rather than pushing it away.



Features

- Suitable for both ventilation and heat transfer applications.
- Choice of single and two speed models in 150mm, 200mm and 250mm sizes.
- Compact design for use in small places.
- Double ended axial fan for enhanced economy and performance.
- Heavy-duty ball bearing motor as standard.
- Zinc/aluminium body, powder coated black.
- Mounting.
- Fitted with 2 core flex.
- Adapts to various ducting accessories found on pages 49-50.

Note

Ducted Exhaust fan kits are also available. Refer to page 45.



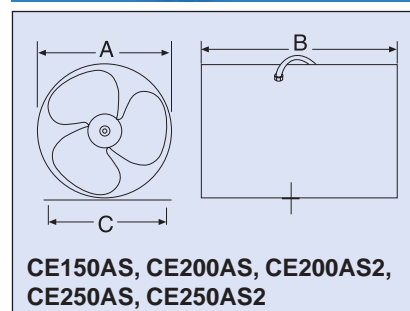
CE150AS



CE200AS, CE200AS2



CE250AS, CE250AS2



Single Speed Air Shifters - Fan Type - Axial

Catalogue Number	CE150AS	CE200AS	CE250AS	CE200AS2	CE250AS2
Cubic metres per hour	245m ³ /h	520m ³ /h	876m ³ /h	Low: 370m ³ /h High: 520m ³ /h	Low: 620m ³ /h High: 876m ³ /h
Litres per second	68 l/s	144 l/s	243 l/s	Low: 103 l/s High: 144 l/s	Low: 172 l/s High: 243 l/s
Outside dia. (A)	147mm ø	195mm ø	245mm ø	195mm ø	245mm ø
Fan housing length (B)	200mm	280mm	280mm	280mm	280mm
Fan dia. (C)	125mm ø	180mm ø	230mm ø	180mm ø	230mm ø
Outlet louvre recommended	CEOL150	CEOL200	CEOL250	CEOL200	CEOL250
Outlet grille recommended	OW9078	-	-	-	-
Inlet grille recommended	CEIL150	CEIL200	CEIL250	CEIL200	CEIL250
Flexible lead length	1.85m	2m	2m	-	-
Number of speeds	1	1	1	2	2
Rated voltage	240V	240V	240V	240V	240V
Watts	30W	45W	70W	Low: 28.5W High: 40.5W	Low: 52.5W High: 70W
Full load current	0.27A	0.35A	0.6A	Low: 0.21A High: 0.32A	Low: 0.38A High: 0.52A
Motor type	Ball bearing	Ball bearing	Ball bearing	Ball Bearing	Ball Bearing
RPM	2000	2450	2300	2450	2300
Maximum operating temp.	40°C	40°C	40°C	40°C	40°C
Decibel rating at 3 metres	52dBA	57dBA	63dBA	57dBA	63dBA
Max Press. (mmH ₂ O)	2mmH ₂ O	7.1mmH ₂ O	6.3mmH ₂ O	7.1mmH ₂ O	6.3mmH ₂ O
Max Press. (Pa)	20 Pa	70 Pa	62 Pa	70 Pa	62 Pa

AIRFLOW ROOF AIR SHIFTERS

Cat. Nos.
RE150AS
RE200AS
RE250AS

Airflow offers a range of air shifters for installations where it is more appropriate to exhaust air directly through the roof.

The range consists of three sizes - 150mm (RE150AS), 200mm (RE200AS) and 250mm (RE250AS), with single speed only. All are compatible with flashing kits, readily available from plumbing and roofing outlets.

The bodies of these fans are constructed of zinc seal and powder coated black. Domes for RE150AS and RE200AS are plastic (specifically Luran 5797 UV Black). The dome for RE250AS is spun aluminium, also powder coated.

Features

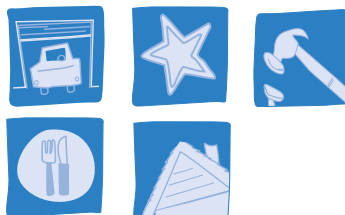
- Combined air shifter and roof vent for economical installation.
- Ultra quiet operation.
- Ideal for flat roofs as air shifter can sit directly over ceiling grille.
- Double ended axial fan for enhanced economy and performance.
- Heavy-duty ball bearing motor as standard.
- Supplied with 2 core flex.
- Adapts to various ducting accessories found on pages 49-50.



RE150AS



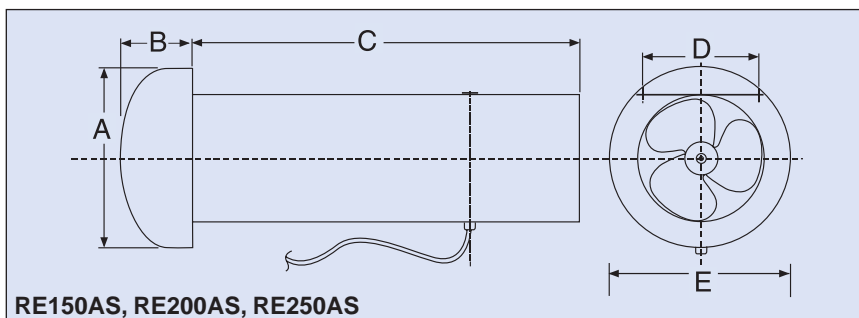
RE200AS



RE250AS



RE150AS,
RE200AS, RE250AS



Fan Type - Axial

Catalogue Number	RE150AS	RE200AS	RE250AS
Cubic metres per hour (Max.)	192m ³ /h	330m ³ /h	476m ³ /h
Litres per second (Max.)	53 l/s	92 l/s	132 l/s
Overall intake size	147mm ø	195mm ø	245mm ø
Dome size dia. (A)	260mm ø	275mm ø	345mm ø
Dome length (B)	70mm	100mm	95mm
Fan housing length (C)	585mm	585mm	585mm
Fan dia. (D)	125mm ø	180mm ø	230mm ø
Suits duct size dia. (E)	150mm ø	200mm ø	250mm ø
Inlet grilles recommended	CEIL150 & OW9078	CEIL200	CEIL250
Two core flex length	1.85m	2m	2m
Number of speeds	1	1	1
Rated voltage	240V	240V	240V
Watts	30W	45W	70W
Full load current	0.27A	0.35A	0.6A
Motor type	Ball bearing	Ball bearing	Ball bearing
RPM (at rated output)	2000	2450	2300
Maximum operating temp.	40°C	40°C	40°C
Decibel rating at 3 metres	53dBA	54dBA	54dBA
Max Press. (mmH ₂ O)	7mmH ₂ O	10.4mmH ₂ O	7mmH ₂ O
Max Press. (Pa)	69 Pa	102 Pa	69 Pa



AIRFLOW DUCTED VENTILATION SYSTEMS

Airflow Ducted Exhaust Fan Kits

Cat. Nos.

CE100D	(with 3 metres of 100mm duct)
CE150DTP	(with 3 metres of 150mm duct)
CE150D	(with 6 metres of 150mm duct)
CEF40WK	(with 3 metres of 150mm duct)
CE200D	(with 6 metres of 200mm duct)
CE250D	(with 6 metres of 250mm duct)

As a result of an increased demand for ducted exhaust fans in domestic areas, the Airflow range has been expanded to include a number of Exhaust Fan Kits.

Easily installed by just one person, these kits are comprised of a duct, inlet grille, outlet louvre, and 10 metres of duct tape. (The CE100D and CE150DTP kits are supplied with 3 metres of duct and duct fixing accessories).

With fan capacities ranging from 80 to 876 cubic metres per hour, the kits provide efficient removal of steam, smoke, stale air and odours from kitchens, bathrooms, laundries and similar locations. Instead of staying in the roof cavity, air is thoroughly exhausted outside.

The Airflow range of ducted ventilation systems includes air shifters and accessories to provide ducted ventilation for domestic, commercial and light industrial applications. These products provide an effective and economical way of exhausting steam, smoke, stale air and odours outside the home or building.

They are also ideal for transferring heat from one room to another, therefore maximising the comfort of the occupants and the economy of the heating system.

The range includes all of the components needed to design a system for the most common installations, such as air shifters, inlet and outlet grilles, flexible ducting and various branching pieces in 100mm, 150mm, 200mm and 250mm sizes.

Note

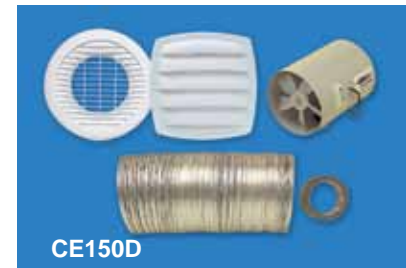
For optimum performance, it is recommended that the position of all in-line fans in duct work is such that it is placed to draw the air towards it, rather than pushing it away.

Features

- Complete kits for most common installations.
- Comprehensive, easy to follow instructions.
- Robust, easy to fit accessories.
- Economically priced.
- Fan body made of zinc/aluminium with a powder coat finish.
- CE100D and CE150DTP fans are made of PVC.
- Moulded white plastic inlet grille.
- Moulded white plastic outlet grille (250mm outlet grille made of zinc/aluminium with a powdercoat finish).



CE100D



CE150D



CE150DTP



CE200D



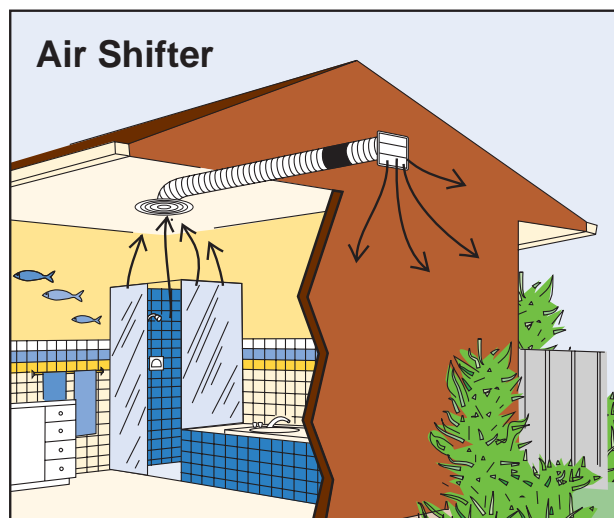
CE250D



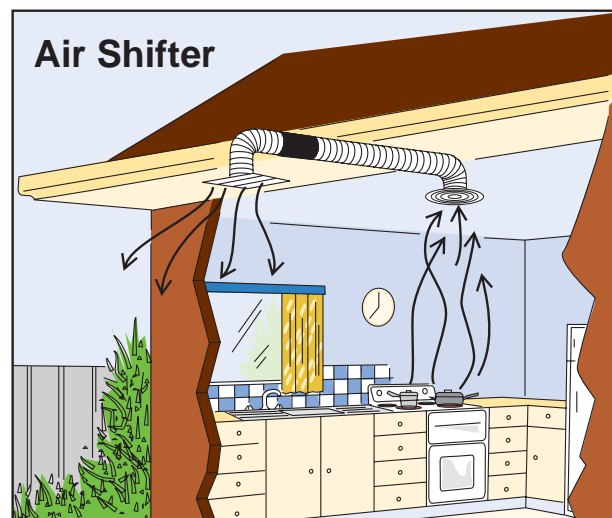
CEF40WK



AIRFLOW DUCTED VENTILATION SYSTEMS



Bathroom installation



Kitchen installation

Fan Type - Axial In-Line					
Catalogue Number	CE100D	CE150D	CE150DTP	CE200D	CE250D
Cubic metres per hour	80m ³ /h	245m ³ /h	250m ³ /h	520m ³ /h	876m ³ /h
Litres per second	22 l/s	68 l/s	69.5 l/s	144 l/s	243 l/s
Internal protrusion inlet	25mm	100mm	28mm	105mm	120mm
Room protrusion inlet	18mm	5mm	52mm	5mm	5mm
Internal protrusion outlet	45mm	100mm	28mm	100mm	100mm
External protrusion outlet	25mm	30mm	52mm	30mm	7mm
Fan housing dia.	96mm ø	147mm ø	147mm ø	195mm ø	245mm ø
Fan housing length	97mm	200mm	113mm	280mm	280mm
Hole size inlet grille	119mm ø	204mm ø	155mm ø	255mm ø	306mm ø
Hole size outlet grille/ louvre	119mm ø	155mm ø	155mm ø	205mm ø	255mm ø
Inlet grille size	154 x 154mm	270mm ø	207 x 207mm	320mm ø	390mm ø
Outlet grille size	149 x 149mm	205 x 205mm	207 x 207mm	300 x 300mm	399 x 399mm
Gravity shutter outlet size	149 x 149mm	-	-	-	-
Duct size dia.	100mm ø	150mm ø	150mm ø	200mm ø	250mm
Duct length	3m	6m	6m	6m	6m
Duct tape dimensions	*	10m x 48mm	10m x 48mm	10m x 48mm	10m x 48mm
Number of speeds	1	1	1	1	1
Rated voltage	220 - 240V	240V	240V	240V	240V
Watts	15W	30W	25W	45W	70W
Full load current	0.09A	0.27A	0.2A	0.35A	0.6A
Motor type (IPX4)	Sleeve bearing	Ball bearing	Sleeve bearing	Ball bearing	Ball bearing
RPM	2500	2000	2400	2450	2300
Maximum operating temp.	35°C	40°C	35°C	40°C	40°C
Decibel rating at 3 metres	42dBA	52dBA	50dBA	57dBA	63dBA
Max Press. (mmH ₂ O)	3mm H ₂ O	2mmH ₂ O	5.5mm H ₂ O	7.1mmH ₂ O	6.3mmH ₂ O
Max Press. (Pa)	29 Pa	20 Pa	54 Pa	70 Pa	62 Pa

*Supplied with duct fixing clips (see Page 50).

O.ERRE HIGH PERFORMANCE IN-LINE CENTRIFUGAL DUCTED FAN KITS

O.erre Turbo In-Line Series Kits

Cat. Nos.
CE100HPD
CE125HPD
CE150HPD
CE200HPD
CE250HPD

Five Kits are available in the turbo in-line centrifugal Series of High Performance fans. They are specifically designed for ducted cooling/heating transfer applications, as well as the conveying of air or fumes. They are also suitable for use on machines where forced ventilation or air suction is required.

O.erre turbo in-line centrifugal series fan kits are suitable for applications in domestic, commercial and industrial areas. Easily installed by just one person, these kits are comprised of 6 metres of flexible duct, inlet grille, outlet louvre, and 10 metres of duct tape (The CE100HPD and CE125HPD are supplied with 2 x 3 metres of duct).

With fan capacities ranging from 270 to 1200 cubic metres per hour, the kits provide efficient removal of steam, smoke, stale air and odours from kitchens, bathrooms, laundries, shops, bars, gymnasiums, restaurants and other locations. Instead of staying in the roof cavity, air is thoroughly exhausted outside.

Features

- The range is comprised of 5 sizes including 100, 125, 150, 200 & 250mm sizes.
- All models are backed up by ball bearing motors with thermal protection.
- Zinc plated steel body, housing a well supported motor with incorporated airflow fins.
- Mounting bracket integrated with the product allowing installation in any position. Holes provided in the bracket allow mounting and connection to flexible cords.
- Installation and electrical connection is particularly fast and easy.
- Terminal boxes have IP54 protection.
- IPX4 Protection rating.
- Double insulated.
- Adapts to Airflow ducting accessories (refer to Pages 49-50).

Note

Other accessories for turbo in-line centrifugal high performance fans include, gravity shutters (refer to Page 40).



CE100HPD



CE125HPD



CE150HPD



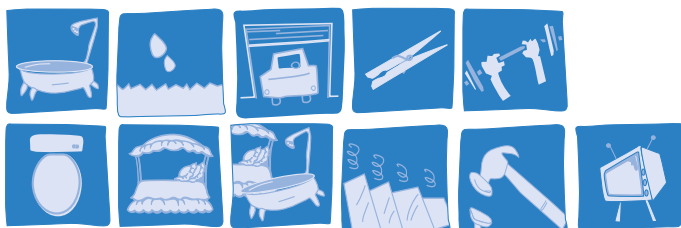
CE200HPD



CE250HPD



O.ERRE HIGH PERFORMANCE IN-LINE CENTRIFUGAL DUCTED FAN KITS



CE100HPD, CE125HPD



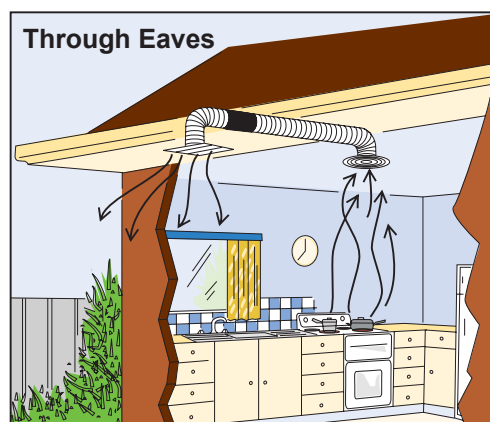
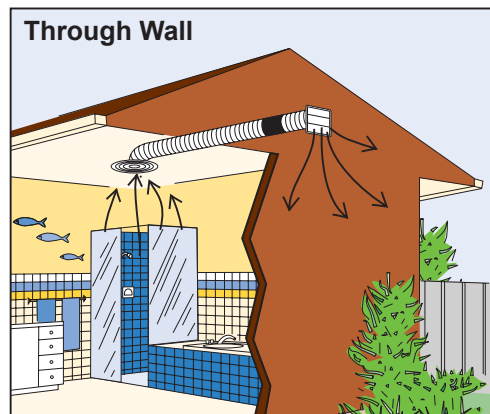
CE150HPD



CE200HPD



CE250HPD



Fan Type - Centrifugal

Catalogue Number	CE100HPD	CE125HPD	CE150HPD	CE200HPD	CE250HPD
Cubic metres per hour	270m ³ /h	400m ³ /h	500m ³ /h	900m ³ /h	1200m ³ /h
Litres per second	75 l/s	111 l/s	139 l/s	250 l/s	333 l/s
Internal protrusion inlet	25mm	25mm	100mm	105mm	5mm
Room protrusion inlet	18mm	18mm	5mm	5mm	120mm
Internal protrusion outlet	25mm	25mm	100mm	100mm	100mm
External protrusion outlet	18mm	18mm	30mm	30mm	7mm
Fan type	OW3709	OW3733	OW3766	OW3816	OW3832
Fan housing dia.	275mm ø	275mm ø	275mm ø	345mm ø	345mm ø
Fan height	242mm	242mm	242mm	272mm	272mm
Hole size inlet grille	105mm ø	125mm ø	204mm ø	255mm ø	306mm ø
Hole size outlet grille	105mm ø	125mm ø	155mm ø	205mm ø	255mm ø
Inlet grille size	154 x 154mm	154 x 154mm	270mm ø	320mm ø	390mm ø
Outlet grille size	154 x 154mm	154 x 154mm	205 x 205mm	300 x 300mm	399 x 399mm
Duct size dia.	100mm ø	125mm ø	150mm ø	200mm ø	250mm ø
Duct length	2 x 3m	2 x 3m	6m	6m	6m
Duct tape dimensions	10m x 48mm	10m x 48mm	10m x 48mm	10m x 48mm	10m x 48mm
Number of speeds	1	1	1	1	1
Rated voltage	240V	240V	240V	240V	240V
Watts	75W	75W	75W	155W	180W
Full load current	0.35A	0.38A	0.38A	0.75A	0.78A
Motor type (IPX4)	Ball bearing	Ball bearing	Ball bearing	Ball bearing	Ball bearing
RPM	2600	2530	2530	2540	2590
Decibel rating at 3 metres	53dBA	52dBA	52dBA	62dBA	59dBA
Maximum operating temp.	55°C	55°C	55°C	55°C	55°C
Max Press. (mm H ₂ O)	31mm H ₂ O	29mm H ₂ O	31mm H ₂ O	59mm H ₂ O	61mm H ₂ O
Max Press. (Pa)	304 Pa	385 Pa	304 Pa	579 Pa	598 Pa

AIRFLOW DUCTING ACCESSORIES

Flexible Duct

Cat. Nos.

- CED100/3** (3 metres, 100mm diameter)
- CED125/3** (3 metres, 125mm diameter)
- CED150/3** (3 metres, 150mm diameter)
- CED150/6** (6 metres, 150mm diameter)
- CEID150/6** (6 metres, 150mm diameter)
- CED200/6** (6 metres, 200mm diameter)
- CEID200/6** (6 metres, 200mm diameter)
- CED250/6** (6 metres, 250mm diameter)
- CEID250/6** (6 metres, 250mm diameter)

High quality, non-flammable, flexible aluminium duct is available in 100mm, 125mm and 150mm diameter sizes in 3 metre lengths. Sizes available in 6m lengths include 150mm, 200mm and 250mm diameter sizes.

Insulated versions (150mm, 200mm and 250mm diameters) are available for heat transfer applications.

Features

- Choice of 100mm, 125mm and 150mm diameter sizes in 3 metre lengths and 150mm, 200mm and 250mm diameter sizes in 6 metre lengths.
- Insulated flexible aluminium construction is ideal for heat transfer purposes.
- Completely non-flammable.
- All duct work complies to AS4254.

Flexible Duct	
Catalogue Number	Description
CED100/3	100mm x 3 metres, non-flammable, reinforced, flexible aluminium duct.
CED125/3	125mm x 3 metres, non-flammable, reinforced, flexible aluminium duct.
CED150/3	150mm x 3 metres, non-flammable, reinforced, flexible aluminium duct.
CED150/6	150mm x 6 metres, non-flammable, reinforced, flexible aluminium duct.
CEID150/6	150mm x 6 metres, insulated flexible aluminium duct.
CED200/6	200mm x 6 metres, non-flammable, reinforced, flexible aluminium duct.
CEID200/6	200mm x 6 metres, insulated flexible aluminium duct.
CED250/6	250mm x 6 metres, non-flammable, reinforced, flexible aluminium duct.
CEID250/6	250mm x 6 metres, insulated flexible aluminium duct.



Flexible Duct



AIRFLOW DUCTING ACCESSORIES

Additional Ducting Accessories

Branch Take Offs, Reducers and Y Junctions are designed for minimum friction, lightweight and secure fit.

Once the duct is fitted, duct tape is used to create a tight seal.

Duct fixing clips may also assist in securing duct.

Reducers	
Cat. No.	Description
CERED200	200 to 150mm
CERED250	250 to 200mm

Y Junctions	
Cat. No.	Description
CEY150	150 x 150 x 150mm
CEY200R	200 x 150 x 150mm
CEY250R	250 x 200 x 200mm

Duct Tape	
Cat. No.	Description
CEDT10	30m x 48mm

Duct Fixing Clips	
Cat. No.	Description
CEDC20	Pack of 20 Duct Clips



Branch Take Off

Catalogue Number	Description
CEB150	150 x 150 x 150mm.
CEB200R	Reducing type 200 x 200 x 150mm.
CEB250R	Reducing type 250 x 200 x 200mm.
CEB250T	Through reducing type 250 x 250 x 200mm.
CEDB250R	Double reducing type 250 x 200 x 150 x 150mm.

AIRFLOW DUCTING ACCESSORIES

Square & Round Inlet Grilles

Cat. Nos.

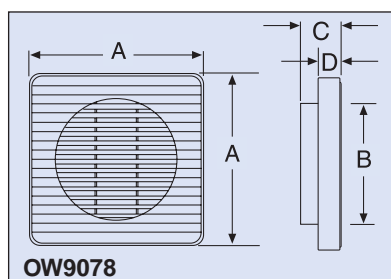
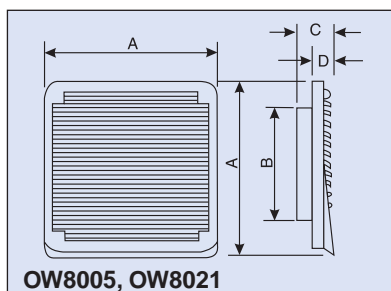
- OW8005 (Square)
- OW8021 (Square)
- OW9078 (Square)
- CEIL150 (Round)
- CEIL200 (Round)
- CEIL250 (Round)

These grilles are constructed from moulded plastic and are easily installed by just one person.

All round models feature an adjustable baffle and are white in colour. Square models may also be used as an outlet.

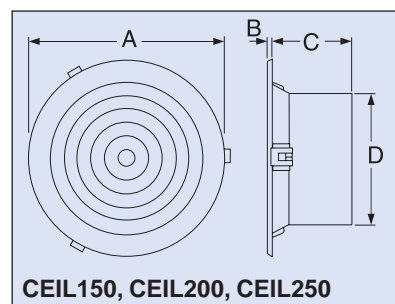
Features

- Choice of 100mm, 120mm, 150mm, 200mm and 250mm grilles for all Airflow duct sizes.
- Attractively designed in robust white moulded plastic to suit any décor.
- Adjustable butterfly baffle is ideal for balancing air flow or closing off in multiple systems (not available with OW8005 and OW8021 models).
- Spring loaded auto release retaining clips for easy one person installation (not available with OW8005 and OW8021 models).



Square

Cat. No	Description	Hole size	A	B	C	D
OW8005	Grille 100mm ø	105mm	154 x 154mm	99mm ø	43mm	18mm
OW8021	Grille 120mm ø	125mm	154 x 154mm	119mm ø	25mm	70mm
OW9078	Grille 150mm ø	155mm	207 x 207mm	151mm ø	52mm	28mm



Round

Catalogue Number	CEIL150	CEIL200	CEIL250
Overall dimensions (A)	240mm ø	255mm ø	330mm ø
Room protrusion (B)	5mm	5mm	5mm
Internal protrusion (C)	100mm	105mm	120mm
Duct size (D)	150mm ø	200mm ø	250mm ø
Hole size	204mm ø	255mm ø	306mm ø

AIRFLOW DUCTING ACCESSORIES

Airflow Egg Crate Grilles

Cat. Nos.

CEECP150R (Round)

CEEC200R (Round)

CEEC250R (Round)

CEEC150S (Square)

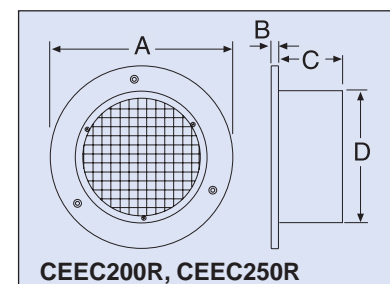
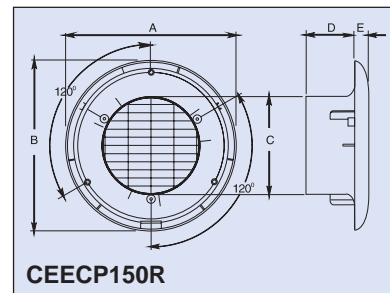
CEEC200S (Square)

CEEC250S (Square)

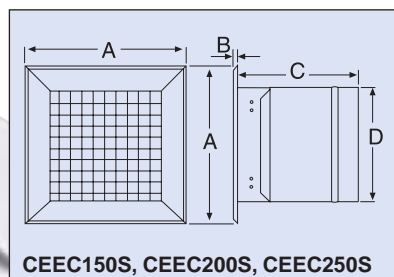
Designed primarily for commercial areas, these grilles feature robust metal construction and are compatible with existing systems. All models are white in colour. CEECP150 is made entirely of PVC.

Features

- Choice of 150mm, 200mm and 250mm grilles for Airflow duct sizes.
- Round or square design to suit different décor.
- Robust metal construction suits commercial conditions. CEECP150R is made of PVC.
- Round models are direct fix, while square models have sliding clamps for easy installation.



Round			
Catalogue Number	CEECP150R	CEEEC200R	CEEEC250R
Overall dimensions (A)	TBA	255mm dia.	330mm Ø
Room protrusion (B)	TBA	5mm	5mm
Internal protrusion (C)	TBA	105mm	120mm
Duct size (D)	TBA	200mm Ø	250mm Ø
Hole size	TBA	205mm Ø	255mm Ø



Square			
Catalogue Number	CEEEC150S	CEEEC200S	CEEEC250S
Overall dimensions (A)	180mm ²	230mm ²	330mm ²
Room protrusion (B)	5mm	5mm	5mm
Internal protrusion (C)	140mm	140mm	140mm
Duct size (D)	150mm Ø	200mm Ø	250mm Ø
Hole size	155mm Ø	205mm Ø	255mm Ø

AIRFLOW & O.ERRE DUCTING ACCESSORIES

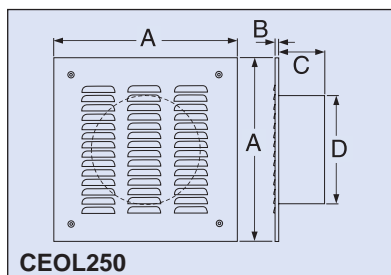
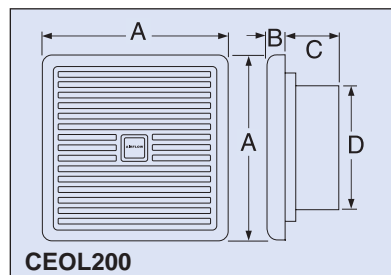
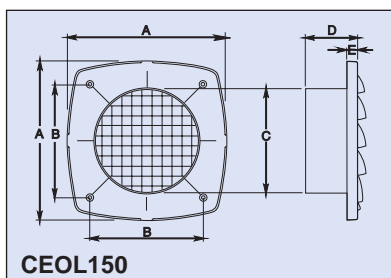
Airflow Outlet Louvres

Cat. Nos.
CEOL150
CEOL200
CEOL250

Airflow Outlet Louvres are manufactured in impact resistant white plastic and are designed to keep out vermin and weather.

Features

- Choice of 150mm, 200mm and 250mm louvres for all Airflow duct sizes.
- 150mm version includes moulded plastic mesh to keep insects out.
- Robust white moulded construction to suit any décor.
- 150mm and 200mm versions include metal duct adaptor.
- 250mm version constructed of powder coated zinc aluminium.



Outlet Louvres

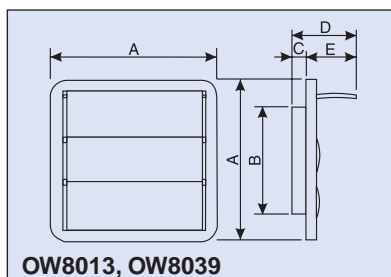
Catalogue Number	CEOL150	CEOL200	CEOL250
Overall dimensions (A)	205 x 205mm	300 x 300mm	399 x 399mm
Room protrusion (B)	30mm	30mm	7mm
Internal protrusion (C)	100mm	100mm	100mm
Duct size (D)	150mm ø	200mm ø	250mm ø
Hole size	155mm ø	205mm ø	255mm ø

O.Erre Gravity Shutters

Cat. Nos.
OW8013
OW8039

These rainproof shutters open automatically when the fan is switched on and close when the fan is switched off to prevent external weather conditions and vermin entering the room.

They come in 100mm and 120mm versions, and are fitted on external walls or vertically positioned.



Gravity Shutters

Cat. No	Description	Hole size	A	B	C	D	E
OW8013	Gravity Shutter 100mm ø	105mm	149 x 149mm	99mm ø	25mm	70mm	45mm
OW8039	Gravity Shutter 120mm ø	125mm	149 x 149mm	119mm ø	25mm	70mm	45mm



AIRFLOW CEILING SWEEP FANS

Airflow Reversible Ceiling Sweep Fans

Airflow Reversible Ceiling Sweep Fans provide year round comfort by circulating a gentle cooling breeze in summer and directing the warm air that rises from heaters in winter back down into the room where it's needed most. With warm air being better circulated around the room, heating can usually be set at a lower setting to help reduce winter heating bills.

Airflow Reversible Ceiling Sweep Fans are economical in themselves too, using less power than a light globe.

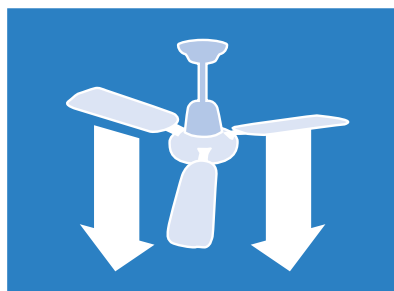
Contemporary Styling

Airflow Reversible Ceiling Fans combine functionality with fashion. Their streamlined, contemporary design makes them the perfect choice for any style of home.

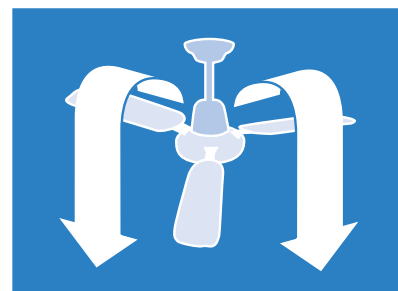


All Airflow fans are supplied with Clipsal's popular 2000 Series switch plates to complement other 2000 Series switches and sockets.

A range of accessories is also available, including mounting kits for installing fans on raked ceilings and Oyster light kits.



Air is gently swirled down in summer.



Air is forced back into the room in winter.

Fashion Series - 4 Rattan Timber Blades

Cat. No. AFLR48

These beautiful timber and rattan look blade fans will turn any home into your own piece of paradise. With quiet and efficient performance they're a stylish addition to living areas and bedrooms.

Features

- Four reversible timber/ rattan look blades.
- Three speed capacitor controller.
- Light adaptable.
- Sealed top and bottom bearings.
- Reversing switch on fan motor.
- Pre-wired and part assembled.

Note

Please specify colour when ordering ceiling sweep fans.



Reversing Switch



5HS1300SBR

Fashion Series

Cat. No.	Diameter	Colours	Power 240V ~ 50Hz	Fan Speed (RPM)
AFLR48	1200mm (48")	White (WE)	60W	High 240 Med 140 Low 100



AIRFLOW CEILING SWEEP FANS

High Performance Series Aluminium Blades

Cat. Nos.

ACES36JAL,WE	4HS1200,WH
ACES36AL,WE	4JH1200,WH
ACES48JAL,WE	4HS1400,WH
ACES48AL,WE	4JH1400,WH
ACES56JAL,WE	
ACES56AL,WE	

The aluminium blades of Airflow's High Performance Series offer outstanding corrosion resistance in harsh environments such as coastal regions and areas of high humidity.

A range of sizes is available as well as two mounting versions – J-hook mounting for easy installation on flat ceilings and hangsure mounting for raked ceilings.

Features

- Three or four blade designs
- 900mm (36"), 1200mm (48") & 1400mm (56") models
- White or metallic finishes
- Three speed capacitor controller.
- Light adaptable.
- Sealed top and bottom bearings.
- Reversing switch on fan motor.
- Pre-wired and part assembled.
- Fan blades are angled up to 17° for increased air movement.

Models with Metallic Finishes

Cat. Nos.

ACES48,SS	4HS1200,SS
ACES48J,SS	4JH1200,SS
ACES56,SS	4HS1400,SS
ACES56J,SS	4JH1400,SS

Specific features

- 304 grade stainless steel blades
- Electroplated body, shaft and cowlings



High Performance Series					
Cat. No.	Mounting	Diameter	Colours	Power 240~ 50Hz	Fan Speed (RPM)
ACES36JAL	J-Hook	900mm (36")	White (WE)	65W	High 370 Med 220 Low 125
ACES36AL	Hangsure	900mm (36")	White (WE)	65W	High 370 Med 220 Low 125
ACES48JAL	J-Hook	1200mm (48")	White (WE)	65W	High 280 Med 200 Low 130
ACES48AL	Hangsure	1200mm (48")	White (WE)	65W	High 280 Med 200 Low 130
ACES56JAL	J-Hook	1400mm (56")	White (WE)	65W	High 260 Med 190 Low 120
ACES56AL	Hangsure	1400mm (56")	White (WE)	65W	High 260 Med 180 Low 120

AIRFLOW CEILING SWEEP FANS

Fashion Series – Metallic Finish

A finish to match the décor of the modern home or business

Cat. Nos.

ACES48,SS

ACES48J,SS

ACES56,SS

ACES56J,SS

4HS1200,SS

4HS1400,SS

These fan models have a different finish to the traditional white fans, but offer all of the same features, benefits and specifications. These benefits include quick installation and high air-movement performance.

With 304 grade stainless steel blades and a matching electroplated finish for the body, shaft and canopies, these fans are sure to please.

Please note that the metallic finish offers a premium appearance, but has not been designed for installation in seaside or outdoor applications.

Available in three (3) or four (4) blade designs these fans are also available with either wall mounted controllers or convenient IR remote controls.



High Performance Series

Cat. No.	Mounting	Diameter	Colours	Power 240~ 50Hz	Fan Speed (RPM)
ACES48J	J-Hook	1200mm (48")	Stainless Steel (SS)	65W	High 280 Med 200 Low 130
ACES48	Hangsure	1200mm (48")	Stainless Steel (SS)	65W	High 280 Med 200 Low 130
ACES56J	J-Hook	1400mm (56")	Stainless Steel (SS)	65W	High 260 Med 190 Low 120
ACES56	Hangsure	1400mm (56")	Stainless Steel (SS)	65W	High 260 Med 180 Low 120



AIRFLOW CEILING SWEEP FANS

Convenience Series – IR Remote Control

The market leading Airflow fans are now with the convenience of Infrared (IR) remote control operation

Cat. Nos.

ACES48ALR,WE

ACES48R,SS

4HS1200R,WH

4HS1200,SS

The convenient remote control operation enables the fan to be operated from anywhere within the room.

These fans are particularly convenient for bedrooms allowing the fan to be operated without getting out of bed. In Summer when

the fan is operated throughout the night, it can become too cool in the early hours of the morning and the remote control comes into it's own. Simply roll over and operate the remote control to turn the fan off, instead of getting out of bed and stumbling through the dark to the wall controller.

In addition to fan speed control, these fans also include controls for when a light fitting is attached to the fan. The light can be turned on or off and the brightness can also be dimmed up or down.

Available in three (3) or four (4) blade designs these fans are available in either white or stainless steel metallic finishes.



Convenience Series – IR Remote Control

Ceiling Fan Model	Colour	Body & Dowrod Finish	Blade Material	Controller Type	Voltage	Max Current	Max Power	Air Speed	Air Flow	High	Med	Low
ACES48ALR,WE	White	Paint	Aluminium	IR Remote Control	240vac 50Hz	0.30 Amps	60W	165 m/sec	161 m³/min	305 ±10%	250 ±15%	160 ±10%
ACES48R,SS	Stainless Steel	Electroplated	304 Grade SS	IR Remote Control	240vac 50Hz	0.30 Amps	60W	165 m/sec	161 m³/min	305 ±10%	250 ±15%	160 ±10%
4HS1200R,WH	White	Paint	Aluminium	IR Remote Control	240vac 50Hz	0.30 Amps	60W	165 m/sec	170 m³/min	285 ±5%	220 ±10%	115 ±5%
4HS1200R,SS	Stainless Steel	Electroplated	304 Grade SS	IR Remote Control	240vac 50Hz	0.30 Amps	60W	165 m/sec	170 m³/min	285 ±5%	220 ±10%	115 ±5%



AIRFLOW CEILING SWEEP FAN ACCESSORIES

The following accessories can be used to customise your Airflow fan to suit your individual requirements.

Down Rods

Please specify colour when ordering.



DR30X1/2

Down Rods		
Catalogue Number	Description	Colours
DR30X1/2	Hangsure Mounting Kit 760mm Down Rod	White (WE) Beige (BG)
DR30X1/2J	J Hook 760mm Down Rod	White (WE)

Mounting Kit

Please specify colour when ordering.



HSMK

Mounting Kit		
Catalogue Number	Description	Colours
HSMK	Hangsure Mounting Kit	White (WE) Beige (BG)

Light Kit



OYBEI

Light Kit		
Catalogue Number	Description	Colours
OYWHT	Oyster Light Kit	White (WE)
OYBEI	Oyster Light Kit	Beige (BG)

O.ERRE INDUSTRIAL WALL EXHAUST FANS

O.ERRE EB Wall Plate Fans

Cat. Nos.

EB254M (Single phase)

EB304M (Single phase)

EB404M (Single phase)

EB504M (Single phase)

EB304T (Three phase)

EB404T (Three phase)

EB504T (Three phase)

These wall mounted axial fans efficiently convey air and fumes directly outside or through short ducts, and can also be used on machines where forced ventilation or air suction is required.

Also suitable for ceiling mounting.

Features

- Safety protection grille.
- Body and grille made in steel and protected by epoxy based anti-corrosion paint.
- Impeller made from ABS material.
- IP44 protected motor (EB504 Series is IP54 rated).
- Single and three phase options.
- Three phase are reversible.

Note

In applications where EB fan blades are exposed, it is recommended that the blades be protected with Protection Grilles or Gravity Shutters (Refer to Accessories section).

If this product is needed with a ball bearing motor, it is recommended to use the EC Series of Industrial fans for continuous operation (see page 61).

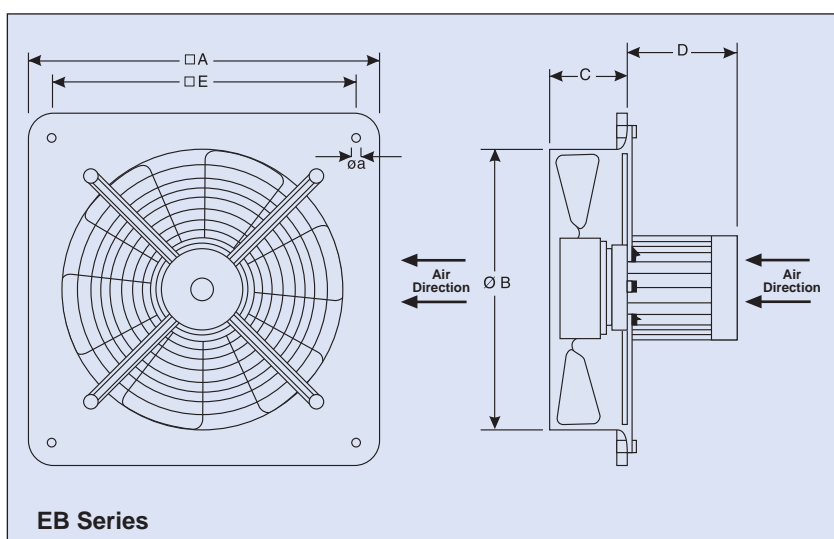
This EC product range is also shallower than its EB counterpart.



EB Series



EB Series



EB Series



Fan Type - Axial (Single Phase and Three Phase)							
Catalogue Number	EB254M	EB304M	EB304T	EB404M	EB404T	EB504M	EB504T
Cubic metres per hour	900m ³ /h	1500m ³ /h	1500m ³ /h	2900m ³ /h	2900m ³ /h	4500m ³ /h	4500m ³ /h
Litres per second	250 l/s	417 l/s	417 l/s	806 l/s	806 l/s	1250 l/s	1250 l/s
Overall intake size (A)	340 x 340mm	390 x 390mm	390 x 390mm	510 x 510mm	510 x 510mm	630 x 630mm	630 x 630mm
Duct size dia. (B)	260mm Ø	312mm Ø	312mm Ø	415mm Ø	415mm Ø	515mm Ø	515mm Ø
External protrusion (C)	70mm	70mm	70mm	90mm	90mm	90mm	90mm
Internal protrusion (D)	96mm	111mm	125mm	108mm	125mm	145mm	145mm
Mounting hole centres (E)	290 x 290mm	340 x 340mm	340 x 340mm	460 x 460mm	460 x 460mm	580 x 580mm	580 x 580mm
Optional protection grille	OW5951	OW5969	OW5969	OW5985	OW5985	OW5993	OW5993
Optional gravity shutter	OW6025	OW6033	OW6033	OW6058	OW6058	OW6066	OW6066
Hole size dia.	270mm Ø	322mm Ø	322mm Ø	425mm Ø	425mm Ø	425mm Ø	525mm Ø
Number of speeds	1	1	1	1	1	1	1
Rated voltage	220-240V	220-240V	415V	220-240V	415V	220-240V	415V
Watts	85W	100W	60W	145W	130W	260W	230W
Full load current	0.57A	0.79A	0.14A	0.63A	0.27A	1.4A	0.57A
Motor type (IP44)	Sleeve bearing	Sleeve bearing	Sleeve bearing	Sleeve bearing	Sleeve bearing	Ball bearing	Ball bearing
RPM	1300	1300	1300	1260	1280	1300	1300
Decibel rating at 3 metres	52dBA	56dBA	56dBA	63dBA	63dBA	68dBA	68dBA
Max Press. (mm H ₂ O)	10mm H ₂ O	8.3mm H ₂ O	8.3mm H ₂ O	9mm H ₂ O	9mm H ₂ O	14mm H ₂ O	14mm H ₂ O
Max Press. (Pa)	98 Pa	81.4 Pa	81.4 Pa	88.3 Pa	88.3 Pa	137 Pa	137 Pa

O.ERRE INDUSTRIAL WALL EXHAUST FANS

O.erre EC Compact Wall Plate Fans

Cat Nos.

EC254M
EC254T
EC304M
EC304T
EC404M
EC404T

These wall or panel mounted axial fans efficiently convey air and fumes directly outside or through short ducts, and can also be used on machines where forced ventilation or air suction is required.

EC Series fans run smoothly and quietly while still maintaining a high level of air movement.

Suitable for ceiling mounting also.

Features

- Safety protection grille.
- Body and grille made in steel and protected by epoxy based anti-corrosion paint.
- Zinc plated steel blades statistically and dynamically balanced.
- IP44 protected motors (EC254M, EC304M, EC254T & EC304T).
- IP54 protected motors (EC404M & EC404T).
- Single and three phase options.
- Three phase are reversible.

Note

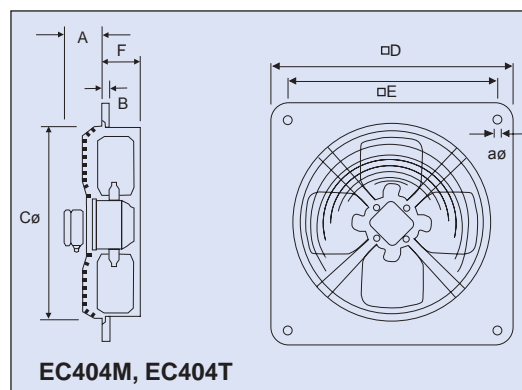
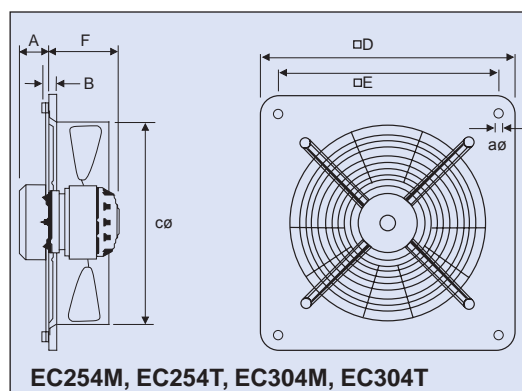
In applications where EC fan blades are exposed, it is recommended that the blades be protected with Protection Grilles or Gravity Shutters (see Accessories Section).

An economical version of this product is available with a sleeve bearing motor. Please refer to the EB series of Industrial Fans on pages 59 - 60.

This EC product range is however shallower than its EB counterpart.



EC Series



Fan Type - Axial (Single Phase and Three Phase)						
Catalogue Number	EC254M	EC254T	EC304M	EC304T	EC404M	EC404T
Cubic metres per hour	920m ³ /h	960m ³ /h	1510m ³ /h	1750m ³ /h	3975m ³ /h	4150m ³ /h
Litres per second	256 l/s	267 l/s	419 l/s	486 l/s	1104 l/s	1153 l/s
External protrusion (A)	70mm	70mm	80mm	80mm	120mm	120mm
Wall plate depth (B)	8mm	8mm	10mm	10mm	12mm	12mm
Duct size dia. (C)	260mm ø	260mm ø	312mm ø	312mm ø	415mm ø	415mm ø
Overall intake size (D)	340 x 340mm	340 x 340mm	390 x 390mm	390 x 390mm	510 x 510mm	510 x 510mm
Mounting hole dia. (a)	7mm ø	7mm ø	9mm ø	9mm ø	11mm ø	11mm ø
Mounting hole centres (E)	290 x 290mm	290 x 290mm	340 x 340mm	340 x 340mm	460 x 460mm	460 x 460mm
Room protrusion (F)	40mm	40mm	40mm	40mm	65mm	65mm
Optional protection grille	OW5951	OW5951	OW5969	OW5969	OW5985	OW5985
Optional gravity shutter	OW6025	OW6025	OW6033	OW6033	OW6058	OW6058
Hole size dia.	265mm ø	265mm ø	317mm ø	317mm ø	500mm ø	500mm ø
Weight	3.5kg	3.5kg	4.5kg	4.5kg	8.3kg	8.3kg
Rated voltage	220-240V	415V	220-240V	415V	220-240V	415V
Watts	68W	30W	87W	75W	135W	145W
Full load current	0.52A	0.09A	0.65A	0.21A	0.65A	0.37A
Motor type (IP44)	Ball bearing	Ball bearing	Ball bearing	Ball bearing	Ball bearing	Ball bearing
RPM	1350	1420	1370	1370	1370	1400
Decibel rating at 3 metres	51dBA	51dBA	55dBA	59dBA	60dBA	62dBA
Maximum operating temp.	55°C	55°C	55°C	55°C	55°C	55°C
Max Press. (mm H ₂ O)	10mm H ₂ O	10mm H ₂ O	15mm H ₂ O	15mm H ₂ O	23mm H ₂ O	23mm H ₂ O
Max Press. (Pa)	98 Pa	98 Pa	147 Pa	147 Pa	226 Pa	226 Pa

O.ERRE INDUSTRIAL WALL EXHAUST FAN ACCESSORIES

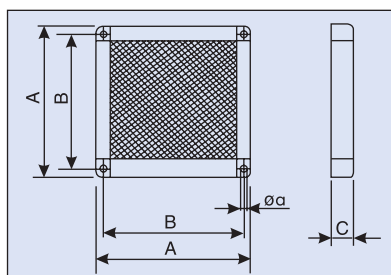
O.erre EB and EC Series Protection Grilles

Cat. Nos.
OW5951
OW5969
OW5985
OW5993

In areas where added safety is required, O.erre offers a range of robust protection grilles.

Features

- Safety protection steel grille.
- Frame made of technopolymer.



OW5951, OW5969, OW5985, OW5993 OW5951, OW5969, OW5985, OW5993

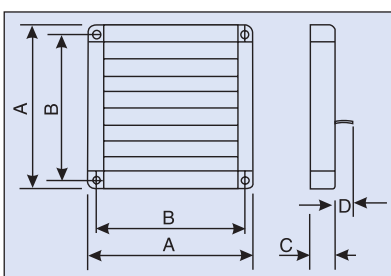
O.erre EB and EC Series Gravity Shutters

Cat. Nos.
OW6025
OW6033
OW6058
OW6066

The O.erre range of EB and EC Gravity Shutters offers both a safety protection grille as well as shutters that prevent back draughts and access for vermin when the fan is not in operation.

Features

- Safety protection steel grille.
- Frame and shutters made of technopolymer.



OW6025, OW6033, OW6058, OW6066 OW6025, OW6033, OW6058, OW6066

Protection Grille				
Catalogue Number	Suits EB Fan	Overall Grille Size (A)	Distance Between Mounting Holes (B)	Width (C)
OW5951	254 Series	367 x 367mm	325mm	52mm
OW5969	304 Series	424 x 424mm	382mm	52mm
OW5985	404 Series	538 x 538mm	496mm	52mm
OW5993	504 Series	652 x 652mm	610mm	52mm

*Mounting Holes 9mm ø.

Gravity Shutter					
Catalogue Number	Suits EB Fan	Overall Gravity Size (A)	Distance Between Holes (B)	Frame Width Mounting (C)	Shutter Width (D)
OW6025	254 Series	367 x 367mm	325mm	52mm	54mm
OW6033	304 Series	424 x 424mm	382mm	52mm	54mm
OW6058	404 Series	538 x 538mm	496mm	52mm	54mm
OW6066	504 Series	652 x 652mm	610mm	52mm	54mm

*Mounting Holes: 9mm ø.



O.ERRE SYSTEMA CABINET FAN KITS

O.erre Systema Cabinet Fan Kits

Cat. Nos.
OW9763
OW9920
OW9813



OW9763, OW9920, OW9813



Electrical switchboards are often installed in very hot and harsh environments. These conditions place additional pressure on switchboard components to perform in their daily tasks. O.erre's range of Systema fans and return air vents and filters provide relief through excellent ventilation, with the added benefit of having an IP protection rating of between IP44 and IP54.

Their ball bearing motors also give extra peace of mind by allowing a minimum of 30,000 hours of continuous operation.

The body and grille are made of self-extinguishing plastic material and the external grilles are slotted to allow for drainage of condensation. For convenience, filters can be removed and cleaned while the fan is operating.

Filters for Grilles and Fan Assembly

O.erre high performance filters are made of unbreakable synthetic fibre with flame protection level F1 conforming to DIN 53438 regulation.



Return Air Vent **Filter** **Grille** **Filter** **Exhaust Fan**

Thinner filters can improve the air movement of all Systema Fans.

Operating Procedure

The exhaust fan assembly extracts air from outside the cabinet, and following a filtering operation, lets clean air into the lower part of the cabinet.

The existing over-pressure prevents dust ingress and allows quick air changes inside the cabinet, forcing warm air out of the grille, which is located in the upper part of the cabinet.

The distance between the exhaust fan assembly and the return air grille must be as large as possible.

Good ventilation and regular maintenance of the filters enable better cooling of the electrical and electronic devices installed in the cabinet, resulting in longer life and greater efficiency of these devices.

Fan Type - Axial

Catalogue Number	OW9763	OW9920	OW9813
Cubic metres per hour	42m ³ /h	85m ³ /h	360m ³ /h
Litres per second	12 l/s	24 l/s	100 l/s
Width (A)	130mm	256mm	323mm
Height (B)	140mm	256mm	322mm
External protrusion (C)	24mm	29mm	34mm
Internal protrusion (D)	74mm	102mm	160mm
Duct size dia. (E)	114mm ø	147mm ø	204mm ø
Return air vent size	130 x 140mm	256 x 256mm	323 x 322mm
Hole size	115 x 115mm	220 x 220mm	287 x 287mm
IP Rating	IP44	IP54	IP44
Number of speeds	1	1	1
Rated voltage	220 - 240V	220 - 240V	220 - 240V
Watts	17W	40W	70W
Full load current	0.11A	0.22A	0.35A
Motor type	Ball bearing	Ball bearing	Ball bearing
RPM	2250	2320	2750
Decibel rating at 3 metres	42dBA	50dBA	65dBA

O.ERRE SYSTEMA CABINET FANS

O.erre Systema Cabinet Fans (Fan Only)

Cat. Nos.
OW9557
OW9524
OW9573



OW9557, OW9524, OW9573

For your convenience, O.erre's range of Systema Cabinet Fans are available to order in "fan-only" models. This is a cheaper alternative to buying the kits if a filter is not required and offers greater versatility when purchasing fan accessories.

O.erre Thermostat

Cat. No.
OW9706

This bimetallic room thermostat has an operating voltage ranging from 220 to 240 volts and a current rating up to 10 amps. It automatically controls the ventilation inside the cabinet, which is dependent on the preset temperature range of 20°C to 60°C. A built-in warning light indicates when the fan is switched off.

Note

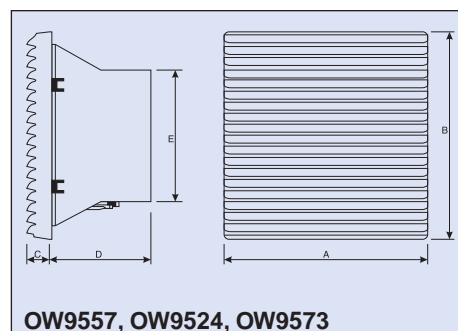
OW9706 may also be used on other fans up to 10A. Fixing hardware is supplied. Dimensions: 78mm x 78mm x 35mm.



OW9557, OW9524, OW9573



OW9706



OW9557, OW9524, OW9573



Made in Italy

Fan Type - Axial			
Catalogue Number	OW9557	OW9524	OW9573
Cubic metres per hour	67m ³ /h	230m ³ /h	590m ³ /h
Litres per second	18.5l/s	64 l/s	164 l/s
Width (A)	130mm	256mm	323mm
Height (B)	140mm	256mm	322mm
External protrusion (C)	24mm	29mm	34mm
Internal protrusion (D)	74mm	102mm	160mm
Duct size dia. (E)	114mm \varnothing	147mm \varnothing	204mm \varnothing
Hole size	115 x 115mm	220 x 220mm	287 x 287mm
IP Rating	IP44	IP54	IP44
Number of speeds	1	1	1
Rated voltage	220 - 240V	220 - 240V	220 - 240V
Watts	17W	40W	70W
Full load current	0.11A	0.22A	0.35A
Motor type	Ball bearing	Ball bearing	Ball bearing
RPM	2250	2320	2750
Decibel rating at 3 metres	42dBA	50dBA	65dBA

O.ERRE SYSTEMA FAN ACCESSORIES

O.erre Systema Filters

Cat. Nos.
OW9623
OW9912
OW9631

O.erre's Systema Filters are made of unbreakable synthetic fibre with flame protection for high performance and safety.

Features

- Made of synthetic fibre.
- Flame retardant.
- IP54 rated (IP44 for OW9623 & OW9631 models).
- Dust filtering up to 10ohm granulometry (OW9631).



OW9631, OW9623, OW9912

O.erre Filters

Cat. No.	Suits Kit, Fan & Grille
OW9623	OW9763, OW9557, OW9656
OW9912	OW9920, OW9524, OW9516
OW9631	OW9813, OW9573, OW9664

O.erre Systema External Exhaust Grilles

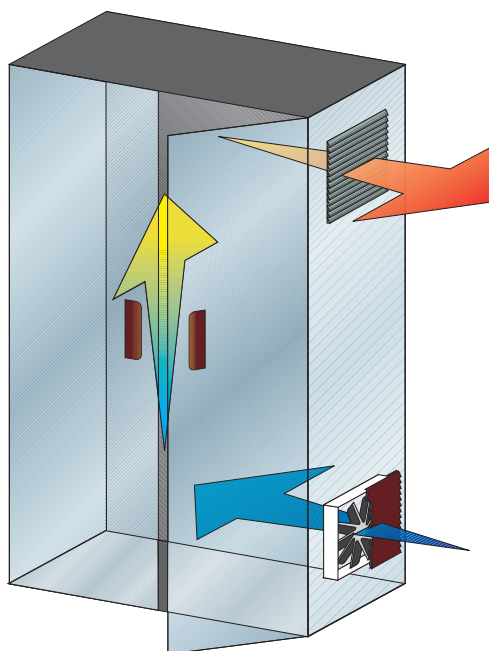
Cat. Nos.
OW9656
OW9516
OW9664

O.erre's External Exhaust Grilles are made entirely of self-extinguishing plastic with a temperature resistance from -20°C up to 50°C.



OW9516, OW9656, OW9664

Below is an example of how a Systema Fan should be installed.



O.erre External Exhaust Grilles

Cat. No.	Suits Kit, Fan & Grille
OW9656	OW9763, OW9557, OW9623
OW9516	OW9920, OW9524, OW9912
OW9664	OW9813, OW9573, OW9631

O.ERRE CABINET FAN SELECTION GUIDE

Selection Guide for Installation of Cabinet Fans

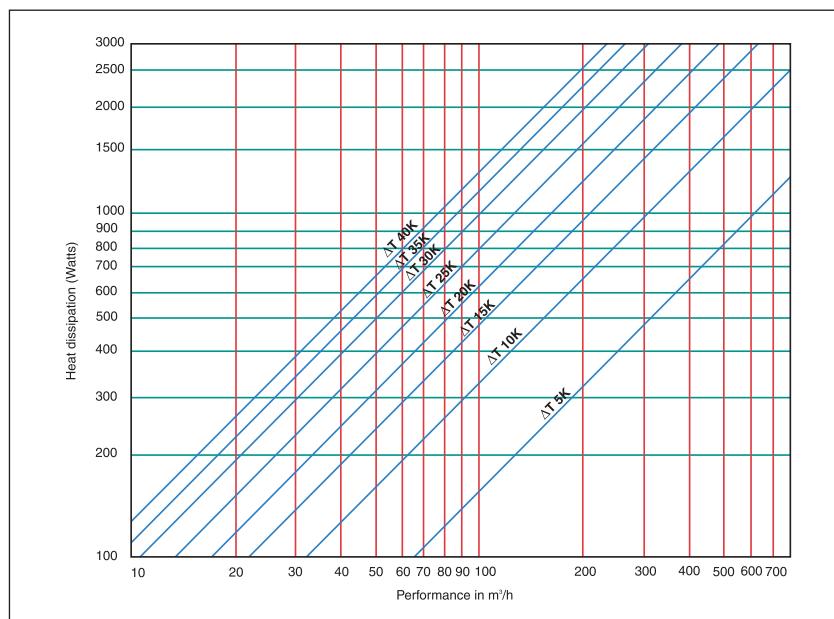
The correct air capacity for appropriate selection of the fan assembly can be determined by consulting the chart opposite.

First determine the following:

- The thermal power dissipated by the electronic equipment.
- The maximum temperature allowed inside the cabinet or enclosure.
- The maximum ambient temperature foreseen outside the cabinet or enclosure.
- Calculate the ΔT as the difference between the two temperatures.
- The point at which the horizontal frame line (green) of the dissipated thermal power bisects the diagonal line (blue) of the temperature difference (ΔT) will show the vertical line (red) indicating the air capacity required for the necessary dissipation in m^3/h .
- From this, choose the correct fan on the performance table.

Natural heat loss through the cabinet walls should be taken into account.

In order to compensate for reduced performance caused by dirty filters, an increase of 20% to the obtained value is advisable.



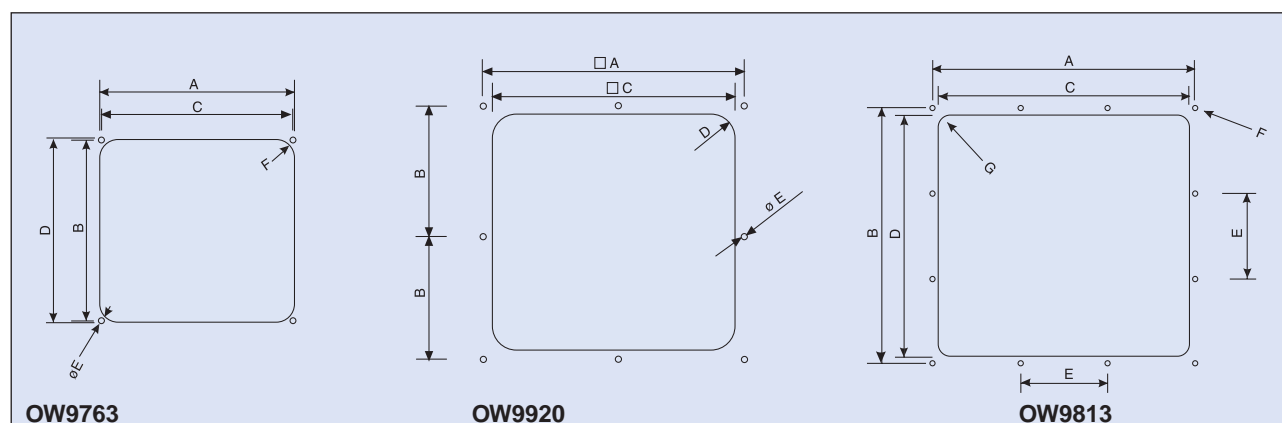
Hole Cut-outs for Systema Fan Assembly and Grilles

OW9763					
A	B	C	D	E (ø)	F (r)
117	123	115	125	3	12

OW9920				
A	B	C	D (r)	E (ø)
232	116	220	15	3.5

OW9813						
A	B	C	D	E	F (ø)	G (r)
303	297	297	281	100	3.5	12.5

Systema Hole Cutouts



O.ERRE RQ CABINET FANS

O.ERRE RQ Cabinet Fans

Cat. Nos.

OW4046 (110V)
 OW5894 (110V)
 OW4012 (240V)
 OW4020 (240V)
 OW5845 (240V)



OW4012, OW4020, OW4046



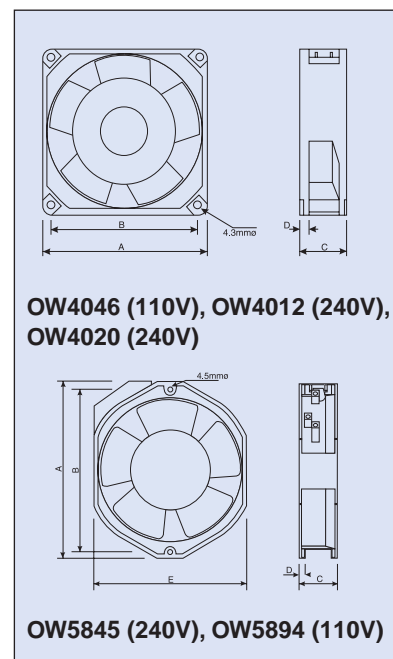
OW5845,
OW5894

The RQ Series is a more conventional range of cabinet fans, specifically designed for fitting in electrical and electronic equipment cabinets, where cooling is required but space is limited.

These fans have outstanding ambient temperature capabilities ranging from -10°C to +65°C.

Features

- Body made from die-cast aluminium.
- Impeller made from fibreglass reinforced with nylon.
- Impedance protection on model OW4046 and Thermal protection on OW5894.
- Rated voltage: 110V a.c. (OW4046, and OW5894) and 220 - 240V (OW4012, OW4020 and OW5845).
- UL approved (OW4012, OW4020 & OW5845).
- Protection grilles, supply leads with plugs and filters can be added to these fans for improved safety (refer to Pages 69-70).



OW4046 (110V), OW4012 (240V),
OW4020 (240V)

OW5845 (240V), OW5894 (110V)



Fan Type - Axial					
Catalogue Number	OW4012	OW4046	OW4020	OW5845	OW5894
Cubic metres per hour	45m ³ /h	45m ³ /h	138m ³ /h	318m ³ /h	318m ³ /h
Litres per second	12.5 l/s	12.5 l/s	38 l/s	88 l/s	88 l/s
Overall intake size (A)	80 x 80mm	80 x 80mm	119.3 x 119.3mm	172mm	172mm
Mounting hole centres (B)	71.5 x 71.5mm	71.5 x 71.5mm	105 x 105mm	162 x 162mm	162 x 162mm
Depth (C)	38mm	38mm	38mm	38mm	38mm
Wall thickness (D)	3.5mm	3.5mm	3.2mm	6mm	6mm
Width (E)	-	-	-	150mm	150mm
Hole size dia.	78mm ø	78mm ø	117mm ø	148mm ø	148mm ø
Optional protection grille	OW1083	OW1083	OW1091	OW6421	OW6421
Optional PVC grille	-	-	CABPG120	-	-
Optional filter with grille	-	-	OW6439	-	-
Optional lead & plug	CABLP120	CABLP120	CABLP120	-	-
Number of speeds	1	1	1	1	1
Rated voltage (AC)	220 - 240V	110V	220 - 240V	220 - 240V	110V
Watts	10W	10W	15W	35W	35W
Full load current	0.07A	0.07A	0.12A	0.19A	0.19A
Motor type	Ball bearing	Ball bearing	Ball bearing	Ball bearing	Ball bearing
RPM	2700	2700	2400	2700	2700
Maximum operating temp.	-10 to 65°C	-10 to 65°C	-10 to 65°C	-10 to 65°C	-10 to 65°C
Decibel rating at 3 metres	31dBA	31dBA	32dBA	48dBA	48dBA

O.ERRE CABINET FAN ACCESSORIES

Lead & Plug (to suit Cabinet Fans)

Cat. No.
CABLP120

This lead & plug suits cabinet fans OW4012, OW4020 and OW4046.

Features

- Made of PVC.
- Suitable for connection to tabs on cabinet fans.
- Black in colour.
- Length: 600mm.
- Flexible cable.
- Suits O.erre's Slim Axial RQ Cabinet Fans.
- Economically priced.



CABLP120

Cabinet Fan Lead & Plug	
Cat. No.	Dimensions
CABLP120	600mm Length

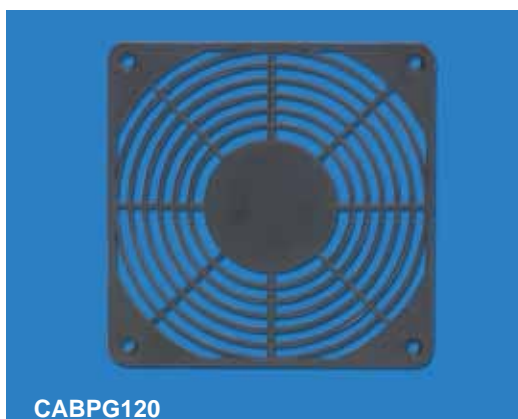
Plastic Grille (to suit Cabinet Fans)

Cat. No.
CABPG120

Grille is PVC and black in colour.

Features

- Plastic Grille.
- Black in colour.
- Dimensions: 120 x 120mm.
- Suits or protects OW4020.
- Economically priced.



CABPG120

Cabinet Fan Grille	
Cat. No.	Suits Cabinet Fan
CABPG120	OW4020 + OW4053

FAN ACCESSORIES

O.Erre Filter and Grille

Cat. No.
OW6439

Filter in polyurethane with grille in polypropylene.

Filter and Grille	
Cat. No.	Suits Cabinet Fan
OW6439	OW4020



O.Erre Protection Grille

Cat. No.
OW1083
OW1091
OW6421

This easy to fit metal safety grille protects the fan from being damaged by solid and foreign bodies. Suitable for all RQ Cabinet fans (see page 68).

Protection Grille	
Cat. No.	Suits Cabinet Fan
OW1083	OW4012
OW1091	OW4020
OW6421	OW5845



FAN ACCESSORIES

O.Erre Electronic Fan Speed Controller

Cat. No.
OW3154

Suits Ventilor OW1901, OW1901A.

The OW3154 electronic controller enables Fwd/Rev operation as well as providing 3 speed control. The controller is grey in colour.



OW3154

Fan Speed Controller

Cat. No.	OW3154
Dimensions	(L)124 x (H)105 x (D)58mm
Voltage (AC)	240V
Number of speeds	3
Reversible	Yes
Colour	Soft Grey (Black Switches)

O.Erre Industrial Fan Speed Controller

Cat. No.
OW3006

The OW3006 is an electronic controller which allows a constant speed control.

Features

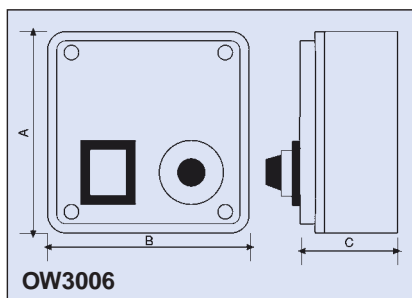
- Casing made of thermo-resistant plastic material with excellent protection against corrosive agents.
- IP55 Protection rating.
- Equipped with a warning operating light.
- ON/OFF switch supplied as standard.
- Equipped with an adaptable cable gland, suitable for all kinds of wire sizes.
- Suitable for wall installation.



OW3006

Industrial Fan Controller

Cat. No.	OW3006
Height (A)	108mm
Width (B)	108mm
Depth (C)	100mm
Weight	0.2kg
Maximum Current	1.6A



OW3006



Made in Italy

FAN ACCESSORIES

Clipsal Two Wire Electronic Push-Button Timers

Cat. Nos.
31VETR
2031VETR

Clipsal Two and Three Wire Electronic Push-Button Timers reduce power bills by ensuring that fans are not accidentally left on.

Features

- Simple two wire control.
- Push-button operation.
- Light Emitting Diode (LED) is illuminated during timer operation.

Clipsal Three Wire Electronic Push-Button Timers

Cat. Nos.
31VETR3
2031VETR3

Features

- Minimum load is 0mA (no need for PF correction capacitors).
- Push-button operation.
- Light Emitting Diode (LED) can be programmed to illuminate for specific tasks.

Clipsal Pneumatic Timer Delay Switches

Cat. Nos.
319
319HP
319N
319RA
319X

Features

- Designed to achieve 10 minute time delay.
- With care, can be set to operate for up to 20 minutes.
- Factory set at 2 minutes.



31VETR, 31VETR3



2031VETR, 2031VETR3

Two and Three Wire Electronic Push-Button Timer Specifications	
Cat. No.	Description
31VETR	Two wire push-button timer in Standard Range wall plate.
2031VETR	Two wire push-button timer in 2000 Series wall plate.
31VETR3	Three wire push-button timer in Standard Range wall plate.
2031VETR3	Three wire push-button timer in 2000 Series wall plate.
Operating Voltage range	195 – 265V a.c.
Maximum load	10A
Minimum loads	40mA (two wire versions) 0mA (three wire versions)
Timer ranges	15 seconds – 254 minutes (two wire versions) 1 second – 15 hours (three wire versions)



319, 319RA



319HP



319N



319X

Pneumatic Timer Delay Switch Specifications	
Cat. No.	Description
319	250V 10A Standard Range Time Delay Switch. 'Normally OFF'. Press to turn on.
319HP	Weatherproof model (IP65 rated).
319N	Neon indicator versions.
319X	Extra switch version.
319RA	Reversible switch action version.



FAN ACCESSORIES

Clipsal Electronic Time Delay Switches Specifically for Exhaust Fans

Cat. Nos.
31VETF
2031VETF

Features

- Designed primarily for use in bathrooms and toilets.
- Incorporates an exhaust fan switch linked to the light switch.
- Exhaust fan turns on when light is operated, but when light is turned off the exhaust fan stays on for an additional 10 minutes.



Exhaust Fan Time Delay Switch Specifications

Cat. No.	Description
31VETF	Standard Range 250V 10A 10 Minute Electronic Time Delay switch for exhaust fans.
2031VETF	2000 Series 250V 10A 10 Minute Electronic Time Delay switch for exhaust fans.

Clipsal Indoor Infrascans

Cat. Nos.
751
751R

Features

- Enables exhaust fans and other loads to turn on automatically once a presence is detected in a room and to continue running for an adjustable time period.
- Fan or Load running time can be adjusted from 5 seconds to 20 minutes (nominal).



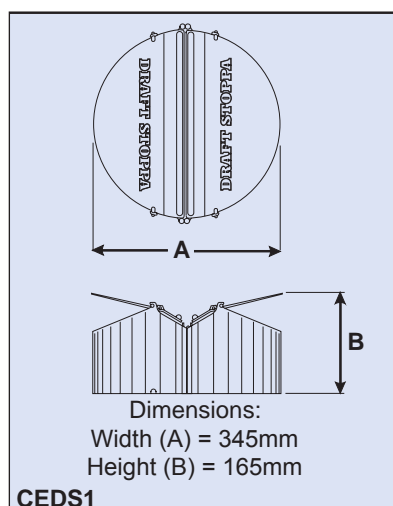
Indoor Infrascans Specifications

Cat. No.	Description
751	Two wire Infrascan with minimal load of 20mA and maximum of 2A.
751R	Three wire Infrascan with no minimum load and maximum of 10A.
Voltage	192 – 264V a.c., 50Hz
Detection Area	6 x 6 metres, 90° from sensor head. Sensor head rotatable through 120° when installed.

Ceiling Exhaust Draftstoppa

The Draftstoppa is a great product from AIRFLOW that increases the efficiency of air-conditioning or heaters by preventing air from escaping through exhaust fan openings. Likewise it prevents cool or warm air entering from the roof cavity into the room below.

The Draftstoppa features cleverly designed gravity shutters that remain closed while the fan is not in use to prevent air from entering and escaping via the roof cavity. They also prevent foul air such as pollution or cooking smells from entering into parts of the home or work place. When the fan is operating the shutters will open, allowing fumes and steam to escape.



FAN ACCESSORIES

Clipsal Weatherproof Switches

Cat. Nos.
2031H66
2031V66
2032H66
2032V66

Ensured Safety in Wet Areas

There are four switch options in the 2000 Series Weatherproof Range – a single and twin switch, available in horizontal and vertical formats.

A unique membrane between the switch dolly and mechanism, together with a low profile neoprene gasket ensures a consistent IP66 rating when installed on a suitable surface.

These barriers guarantee safety when the switches are used with wet hands or installed near sinks, basins, taps and showers, in areas where space is limited such as en suites, laundries and bars.

Features

- May be installed in restricted zones of kitchens, bathrooms, laundries, outdoors and other wet areas.
- IP66 Protection rating.
- Four switch options (single or twin switch, available in horizontal and vertical formats).

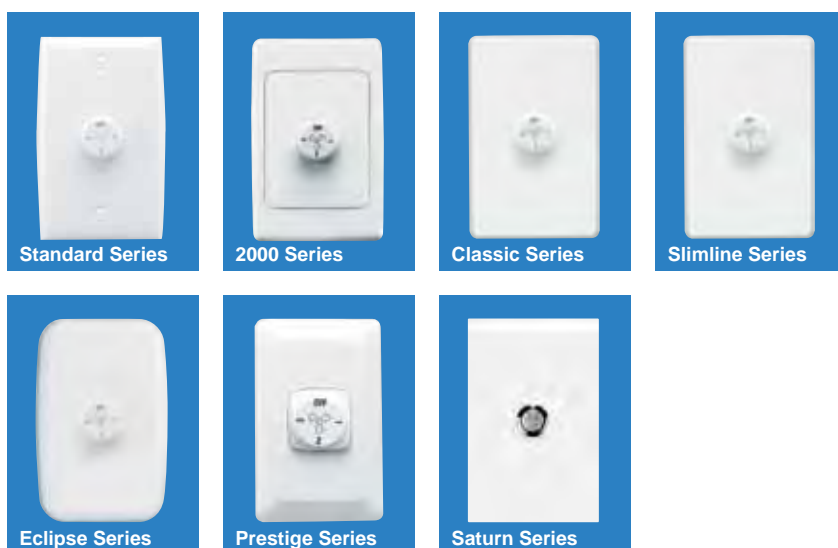
Clipsal Fan Controllers

A number of Clipsal Fan Speed Controllers are available in Standard Range, 2000 series, C2000 Series, P2000 Series, SL2000 Series, SC2000 Series, Heritage and Saturn ranges. For a full description of these products refer to the Clipsal Trade Product Guide.



Weatherproof Switches Specifications	
Cat. No.	Description
2031H66	Single switch for horizontal mounting.
2031V66	Single switch for vertical mounting.
2032H66	Twin switch for horizontal mounting.
2032V66	Twin switch for vertical mounting.
Voltage	230 – 250V 50Hz
Mechanisms	1 way/2 way 10A

3 Speed Capacitor Fan Controllers



Infinitely Variable Electronic Fan Controllers



FAN ACCESSORIES

Clipsal Switch Multipliers

Cat. Nos.
780K1
780/1
780K2
780/2
780M
780A2M
780B2M

Features

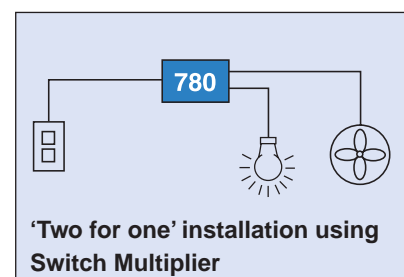
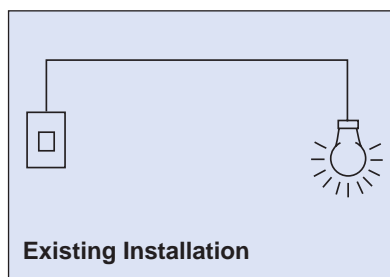
- Converts a single switch into two separate and independently operated switches.
- Allows a fan or additional load to be installed without running additional switch wires.
- 780K1 suits one way switching and 780K2 suits two way switching applications.



780K1, 780K2



780/1, 780/2

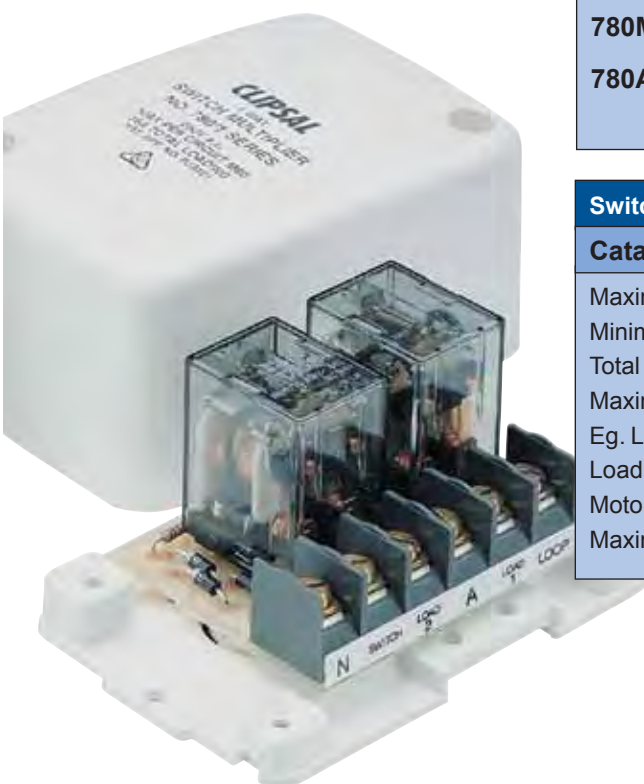


Switch Multipliers Specifications

Cat. No.	Description
780K1	250V 10A a.c. 1 way Switch Multiplier, complete with two special mechanisms and standard architrave plate.
780/1	250V 10A a.c. 1 way Switch Multiplier only.
780K2	250V 10A a.c. 1 way Switch Multiplier, complete with two special switch mechanisms and standard architrave plate.
780/2	250V 10A a.c. 2 way Switch Multiplier only.
780M	250V 10A Switch Mechanism for use with Switch Multiplier.
780A2M	Mechanisms for converting two way circuit to 780B2M control 2 loads 2 way (2 of each required).

Switch Multipliers Specifications

Catalogue Number	780K1	780K2
Maximum working voltage	250V a.c.	250V a.c.
Minimum working voltage	200V a.c.	200V a.c.
Total maximum current	16A	16A
Maximum current per circuit	10A ea. load	10A ea. load
Eg. Load one-max. current	10A	10A
Load two-max. current	6A	6A
Motor rating	M80	M80
Maximum ambient temperature	60°	60°



FAN QUICK REFERENCE TECHNICAL GUIDE

Ceiling Exhaust Fans						
Cat. No.	Description	Hole size dia. (mm)	Max. Approx. Air Delivery		Usage (Watts)	Page No.
			(m ³ /hour)	(L/sec)		
6220-0	Expressaire Ceiling Exhaust	290 ø	800	222	45	22
6230-0	Ceiling Exhaust, 300mm	345 ø	660	183	54	21
6300ATP	Ceiling Exhaust Fan/Light Trade Pack	250 ø	265	74	24	23
CE200	Ceiling Exhaust, 200mm	240 ø	260	72	28	18
CE250	Ceiling Exhaust, 250mm	287 ø	385	107	38	18
CE250M	Metal Line Ceiling Exhaust, 250mm	287 ø	568	158	45	20
MCE175	Metal Ceiling Exhaust, 175mm	195 ø	224	62	22	19
MCE200	Metal Ceiling Exhaust, 200mm	235 ø	330	91.6	31	19
MCE250	Metal Ceiling Exhaust, 250mm	270 ø	454	126	46	19
MCE300	Metal Ceiling Exhaust, 300mm	325 ø	666	185	52	19

Fan/Light/Heater Units						
Cat. No.	Description	Hole size dia. (mm)	Max. Approx. Air Delivery		Usage (Watts)	Page No.
			(m ³ /hour)	(L/sec)		
6500A	Sunshine Threesome Fan, 262 x 262mm	262 x 262	338	94	1250	24
6600A	Sunshine En Suite Fan/Light/Heater	325 (395) x 280	338	94	690	25

Ceiling Sweep Fans						
Cat. No.	Description	Hole size dia. (mm)	Max. Approx. Air Delivery		Usage (Watts)	Page No.
			(m ³ /hour)	(L/sec)		
ACES36AL	Ceiling Sweep Fan, 900mm (36")	-	-	-	65	55
ACES36JAL	Ceiling Sweep Fan, 900mm (36")	-	-	-	65	55
ACES48AL	Ceiling Sweep Fan, 1200mm (48")	-	-	-	65	55
ACES48JAL	Ceiling Sweep Fan, 1200mm (48")	-	-	-	65	55
ACES56AL	Ceiling Sweep Fan, 1400mm (56")	-	-	-	65	55
ACES56JAL	Ceiling Sweep Fan, 1400mm (56")	-	-	-	65	55
AFLR48	Ceiling Sweep Fan, 1200mm (48")	-	-	-	60	54

FAN QUICK REFERENCE TECHNICAL GUIDE

Window Exhaust Fans						
Cat. No.	Description	Hole size dia. (mm)	Max. Approx. Air Delivery		Usage (Watts)	Page No.
			(m ³ /hour)	(L/sec)		
7005A	MaxAir Window Exhaust, 150mm	213 ø	360	111	40	28
7007A	MaxAir Window Exhaust, 150mm, Pull-Cord Switch	213 ø	360	111	40	28
7105A	MaxAir Window Exhaust, 200mm	230 ø	600	167	35	28
7107A	MaxAir Window Exhaust, 200mm, Pull-Cord Switch	230 ø	600	167	35	28
OW1117	Ventimatic 12 Window Exhaust	155 - 165 ø	100	28	21	26
OW1125	Ventimatic 15 Window Exhaust	185 - 195 ø	155	43	40	26
OW1885	Ventilor 404M Window Exhaust, Pull-Cord Switch	225 - 235 ø	450	125	50	27
OW1901	Ventilor Window Exhaust	225 - 235 ø	450	125	50	27
OW1901A	Ventilor Window Exhaust, Auto Switched	225 - 235 ø	450	125	50	27
OW8427	Ventil 15 Window Exhaust	185/195 ø	155	43	30	26
OW1612	Standard 15 Wall/Ceiling Exhaust	155 ø	230	64	36	32
OW8450	Minimatic 15 Wall/Ceiling Exhaust	155 ø	230	64	45	35
OW8468	Minimatic 15T Wall/Ceiling Exhaust	155 ø	230	64	45	35
OW8542	Compact 300, Centrifugal Ducted Wall/Ceiling Exhaust	105 ø	250	69	95	38

Wall Exhaust Fans						
Cat. No.	Description	Hole Size dia. (Millimetres)	Max. Approx. Air Delivery		Usage (Watts)	Page No.
			(m ³ /hour)	(L/sec)		
7006A	MaxAir Wall Exhaust, 150mm	180 ø or sq.	400	111	40	29
7008A	MaxAir Wall Exhaust, 150mm, Pull-Cord Switch	180 ø or sq.	400	111	40	29
7106A	MaxAir Wall Exhaust, 200mm	230 ø or sq.	600	167	35	29
7108A	MaxAir Wall Exhaust, 200mm	230 ø or sq.	600	167	35	29
SLWE200	Slimline Wall Exhaust, 200mm	245 ø	240	67	30	31
WK1216	Mini 10 Sensor, Exhaust & Wall Kit	120 ø	85	24	14	34
WK1372	Mini 10, Exhaust & Wall Kit	120 ø	85	24	14	33
WK1612	Standard 15, Exhaust & Wall Kit	170 ø	230	64	36	32
WK1885	Ventilor 404M, Exhaust & Wall Kit, Pull-Cord Switch	235 ø	450	125	50	37
WK8427	Ventil 15, Exhaust & Wall Kit	170 ø	155	43	30	36
WK8450	Minimatic 15 Exhaust & Wall Kit	170 ø	230	64	45	35
WK8468	Minimatic 15T, Exhaust & Wall Kit	170 ø	230	64	45	35

FAN QUICK REFERENCE TECHNICAL GUIDE

Ducted Exhaust Fans						
Cat. No.	Description	Hole size dia. (mm)	Max. Approx. Air Delivery		Usage (Watts)	Page No.
			(m ³ /hour)	(L/sec)		
CE100D	In-Line Ducted Kit, 100mm	Inlet - 119 ø Outlet - 119 ø 119 ø	80	22	15	45
CE100HPD	In-Line, High Performance Ducted Kit, 100mm	Inlet - 105 ø Outlet - 105 ø	270	75	75	47
CE125HPD	In-Line, High Performance Ducted Kit, 125mm	Inlet - 125 ø Outlet - 125 ø	400	111	75	47
CE150AS	In-Line Air Shifter, 150mm	-	245	68	30	43
CE150D	In-Line Ducted Kit, 150mm	Inlet - 204 ø Outlet - 155 ø 240 ø	245	68	30	45
CE150DTP	In-Line Ducted Trade Pack, 150mm	Inlet - 155 ø Outlet - 155 ø 155 ø	250	69.5	25	45
CE150HPD	In-Line, High Performance Ducted Kit, 150mm	Inlet - 204 ø Outlet - 155 ø	500	139	75	47
CE200AS	In-Line Air Shifter, 200mm	-	520	144	45	43
CE200AS2	In-Line Air Shifter, 2 Speed, 200mm	-	370/520	103/144	28.5/40.5	43
CE200D	In-Line Ducted Kit, 200mm	Inlet - 255 ø Outlet - 205 ø 295 ø	520	144	45	45
CE200HPD	In-Line, High Performance Ducted Kit, 200mm	Inlet - 255 ø Outlet - 205 ø	900	250	155	47
CE250AS	In-Line Air Shifter, 250mm	-	876	243	70	43
CE250D	In-Line Ducted Kit, 250mm	Inlet - 306 ø Outlet - 255 ø 295 ø	876	243	70	45
CE250HPD	In-Line, High Performance Ducted Kit, 250mm	Inlet - 306 ø Outlet - 255 ø	1200	333	180	47
CEF40WK	Ceiling mounted ducted fan kit, flex & plug, 3M of 150mm ducting, wall/eaves outlet, duct tape	Inlet - 287 ø	265	74	35	45
OW1943	TB12 - Air Shifter, 120mm	-	130	36	15	41
OW1950	TB15 - Air Shifter, 150mm	-	250	69.5	25	41
OW3709	In-Line, turbo centrifugal, ducted exhaust, 100mm	-	270	75	75	39
OW3733	In-Line, turbo centrifugal, ducted exhaust, 125mm	-	400	111	75	39
OW3766	In-Line, turbo centrifugal, ducted exhaust, 150mm	-	500	139	75	39
OW3816	In-Line, turbo centrifugal, ducted exhaust, 200mm	-	1050	292	180	39
OW3832	In-Line, turbo centrifugal, ducted exhaust, 250mm	-	1200	333	180	39
OW3840	In-Line, turbo centrifugal, ducted exhaust, 315mm	-	1400	389	280	39
OW8542	Compact 300, Centrifugal, Ducted, Wall/ Ceiling Exhaust	100 ø	260	69	95	38
RE150AS	Roof air shifter, 150mm	125 ø	192	53	30	42
RE200AS	Roof air shifter, 200mm	180 ø	330	92	45	42
RE250AS	Roof air shifter, 250mm	230 ø	476	132	70	42

FAN QUICK REFERENCE TECHNICAL GUIDE

Industrial Fans						
Cat. No.	Description	Hole size dia. (mm)	Max. Approx. Air Delivery		Usage (Watts)	Page No.
			(m ³ /hour)	(L/sec)		
EB254M	Industrial wall plate Fan, 1Ph, 250mm	270 ø	900	250	85	59
EB304M	Industrial wall plate Fan, 1Ph, 300mm	322 ø	1500	417	100	59
EB304T	Industrial wall plate Fan, 3Ph, 300mm	322 ø	1500	417	60	59
EB404M	Industrial wall plate Fan, 1Ph, 400mm	425 ø	2900	806	145	59
EB404T	Industrial wall plate Fan, 3Ph, 400mm	425 ø	2900	806	130	59
EB504M	Industrial wall plate Fan, 1Ph, 500mm	525 ø	4500	1250	260	59
EB504T	Industrial wall plate Fan, 3Ph, 500mm	525 ø	4500	1250	230	59
EC254M	Industrial wall plate Fan, 1Ph, 250mm	265 ø	920	256	68	61
EC254T	Industrial wall plate Fan, 3Ph, 250mm	265 ø	960	267	30	61
EC304M	Industrial wall plate Fan, 1Ph, 300mm	317 ø	1510	419	87	61
EC304T	Industrial wall plate Fan, 3Ph, 300mm	317 ø	1750	486	75	61
EC404M	Industrial wall plate Fan, 1Ph, 500mm	500 ø	3975	1104	135	61
EC404T	Industrial wall plate Fan, 3Ph, 500mm	500 ø	4150	1153	145	61
OW4012	Cabinet Fan, Slim, 80 x 80mm, 240V	78 ø	45	12.5	10	68
OW4020	Cabinet Fan, Slim, 105 x 105mm, 240V	117 ø	138	38	15	68
OW4046	Cabinet Fan, Slim, 80 x 80mm, 110V	78 ø	45	12.5	10	68
OW5845	Cabinet Fan, Slim, 172 x 150mm, 240V	148 ø	318	88	35	68
OW5894	Cabinet Fan, Slim, 172 x 150mm, 110V	148 ø	318	88	35	68
OW9524	Cabinet Fan, Systema, 130 x 140mm	115 x 115mm	230	64	40	65
OW9557	Cabinet Fan, Systema, 323 x 322mm	287 x 287mm	67	19	17	65
OW9573	Cabinet Fan, Systema, 256 x 256mm	220 x 220mm	590	164	70	65
OW9763	Cabinet Fan Kit, Systema, 130 x 140mm	115 x 115	42	12	17	64
OW9813	Cabinet Fan Kit, Systema, 323 x 322mm	287 x 287	360	100	70	64
OW9920	Cabinet Fan Kit, Systema, 256 x 256mm	220 x 220	85	24	40	64

FAN QUICK REFERENCE TECHNICAL GUIDE

Accessories		
Cat. No.	Description	Page No.
319	Pneumatic Timer Delay Switch - 250V 10A Standard Range	72
751	Indoor Infracan - 2 Wire, min. load: 20mA, max. load: 2A	73
2031H66	Weatherproof Switch - Single Switch, Horizontal Mounting	74
2031V66	Weatherproof Switch - Single Switch, Vertical Mounting	74
2031VETF	Electronic Time Delay Switch for Exhaust Fans - 2000 Series, 250V 10A 10min	73
2031VETR	2 Wire Push-Button Timer - 2000 Series Wall plate	72
2031VETR3	3 Wire Push-Button Timer - 2000 Series Wall plate	72
2032H66	Weatherproof Switch - Twin Switch, Horizontal Mounting	74
2032V66	Weatherproof Switch - Twin Switch, Vertical Mounting	74
319HP	Pneumatic Timer Delay Switch - Weatherproof Model (IP65 rated)	72
319N	Pneumatic Timer Delay Switch - Neon Indicator Version	72
319RA	Pneumatic Timer Delay Switch - Reversible Switch Action Version	72
319X	Pneumatic Timer Delay Switch - Extra Switch Version	72
31VETF	Electronic Timer Delay Switch for Exhaust Fans - Standard Range 250V 10A 10min	73
31VETR	2 Wire Push-Button Timer - Standard Range wall plate	72
31VETR3	3 Wire Push-Button Timer - Standard Range wall plate	72
6500C	Spare Part - Heat Lamp 275W	25
7100WP	Wall Plate for 7106A & 7108A	30
751R	Indoor Infracan - 3 Wire, no min. load, max. load: 10A	73
780/1	Switch Multiplier - 250V 10A a.c. 1 way	75
780/2	Switch Multiplier - 250V 10A a.c. 2 way.	75
780M	Switch Multiplier - Mechanism	73
780A2M	Switch Multiplier - Mechanism for Converting 2 way Circuit	75
780B2M	Switch Multiplier - Mechanism for Converting 2 way Circuit	75
780K1	Switch Multiplier - 250V 10A a.c. 1 way (Switch Plate Included)	75
780K2	Switch Multiplier - 250V 10A a.c. 1 way (Switch Plate Included)	75
CABLP120	Lead and Plug for Cabinet Fan	69
CABPG120	Plastic Grille for Cabinet Fan	69

FAN QUICK REFERENCE TECHNICAL GUIDE

Accessories		
Cat. No.	Description	Page No.
CEB150	Branch Take Off - 150 x 150 x 150mm	50
CEB200R	Branch Take Off - Reducing Type 200 x 200 x 150mm	50
CEB250R	Branch Take Off - Reducing Type 250 x 200 x 200mm	50
CEB250T	Branch Take Off - Through Reducing Type 250 x 250 x 200mm	50
CED100/3	Flexible Duct - 3 metres, 100mm \varnothing	49
CED125/3	Flexible Duct - 3 metres, 125mm \varnothing	49
CED150/3	Flexible Duct - 3 metres, 150mm \varnothing	49
CED150/6	Flexible Duct - 6 metres, 150mm \varnothing	49
CED200/6	Flexible Duct - 6 metres, 200mm \varnothing	49
CED250/6	Flexible Duct - 6 metres, 250mm \varnothing	49
CEDB250R	Branch Take Off - Double Reducing 250 x 200 x 150 x 150mm	50
CEDC20	Duct Fixing Clips - Pack of 20 Duct Clips	50
CEDT10	Duct Tape - 30m x 48mm	50
CEDS1	Ceiling Exhaust Draftstoppa	73
CEEC150S	Square Egg Crate Grille - 150mm \varnothing	52
CEECP150R	Round Egg Crate Grille (PVC) - 150mm \varnothing	52
CEEC200R	Round Egg Crate Grille - 200mm \varnothing	52
CEEC200S	Square Egg Crate Grille - 200m \varnothing	52
CEEC250R	Round Egg Crate Grille - 250mm \varnothing	52
CEEC250S	Square Egg Crate Grille - 250mm \varnothing	52
CEID150/6	Flexible Duct (Insulated) - 6 metres, 150mm \varnothing	49
CEID200/6	Flexible Duct (Insulated) - 6 metres, 200mm \varnothing	49
CEID250/6	Flexible Duct (Insulated) - 6 metres, 250mm \varnothing	49
CEIL150	Round Grille - 150mm \varnothing	51
CEIL200	Round Grille - 200mm \varnothing	51
CEIL250	Round Grille - 250mm \varnothing	51
CEOL150	Outlet Louvre - 150mm \varnothing	53
CEOL200	Outlet Louvre - 200mm \varnothing	53
CEOL250	Outlet Louvre - 250mm \varnothing	53
CERED200	Reducer - 200 to 150mm	50
CERED250	Reducer - 250 to 200mm	50
CEY150	Y Junction - 150 x 150 x 150mm	50
CEY200R	Y Junction Reducer - 200 x 150 x 150mm	50
CEY250R	Y Junction Reducer - 250 x 200 x 200mm	50
OW1083	Protection Grille - Suits OW4012	70
OW1091	Protection Grille - Suits OW4020	70
OW3006	Industrial Fan Speed Controller, 1 Phase, IP55, 240V	71

FAN QUICK REFERENCE TECHNICAL GUIDE

Accessories		
Cat. No.	Description	Page No.
OW3154	Fan Controller - Smart Fan Series 250V 400VA	71
OW5951	Protection Grille - EB/EC254 Series	63
OW5969	Protection Grille - EB/EC304 Series	63
OW5985	Protection Grille - EB/EC404 Series	63
OW5993	Protection Grille - EB/EC504 Series	63
OW6025	Gravity Shutter - EB/EC254 Series	63
OW6033	Gravity Shutter - EB/EC304 Series	63
OW6058	Gravity Shutter - EB/EC404 Series	63
OW6066	Gravity Shutter - EB/EC504 Series	63
OW6249	Turbo Series Gravity Shutter (150mm)	40
OW6264	Turbo Series Gravity Shutter (250mm)	40
OW6421	Protection Grille - Suits OW5845	70
OW6439	Protection Grille and Filter - Suits OW4020	70

Accessories		
Cat. No.	Description	Page No.
OW8005	Square Grille - 100mm \varnothing	51
OW8013	Gravity Shutter - 100mm \varnothing	53
OW8021	Square Grille - 120/125mm \varnothing	51
OW8039	Gravity Shutter - 120mm \varnothing	53
OW9078	Grille - 150mm \varnothing	51
OW9516	Systema PVC Grille	66
OW9623	Filter F13/4, high performance, synthetic fibre, flame retardant, IP44	66
OW9631	Filter F32/4, high performance, synthetic fibre, flame retardant, IP44	66
OW9656	Systema PVC Grille	66
OW9664	Systema PVC Grille	66
OW9706	Thermostat, 20 to 60°C, 240V, 10A	65

FAN QUICK REFERENCE TECHNICAL GUIDE

EXHAUST FANS AND VENTILATION SYSTEMS CONTENTS REFERENCE GUIDE			
Categories	Page References	Categories	Page References
Accessories	69	Infrascans	73
Air Shifters	41-46	In-Line Fans	39, 41-43, 45-48
Axial Fans	18-29, 31-37, 41-46, 54-62, 64-65, 68	MaxAir Fans	28-29
Cabinet Fans	64-65, 68	Metal Ceiling Exhaust Fans	19-20
Ceiling Exhaust Fans	23-25	Mini Fans	33-34
Ceiling Fan/Lights	23-25	Minimatic	35
Ceiling Sweep Fans	54-58	Pull-Cord Switched	26-29, 36-37
Centrifugal Fans	38-39, 47-48	Reversible	27, 54-55
Compact	38, 61	Roof Air Shifters	44
Decorative	20	Sensors (incl. fans w/sensors)	34
Ducted Fans	38-48	Slimline Fans	18, 31
Ducting	49	Sunshine Fan/Light/Heater Units	24-25
Ducting Accessories	50-53	Switch Multipliers	75
EB Series	59-60	Systema Fans & Accessories	63-65
EC Series	61-62	Thermostats	65
Electronic Timers	72	Timers	72
En Suite Fans	25	Ventil Fans	36
Expressaire	22	Ventilor Fans	37
Fan Speed Controllers	27, 55, 71, 74	Ventimatic Fans	36
Filters (includes fans with filters)	64, 66, 70	Wall Fans	29-37
Gravity Shutters	40, 53, 73	Wall Plates	30
Grilles	51-52, 66, 70	Weatherproof Switches	74
Industrial	59-63, 71	Window Fans	26-28

Clipsal Australia Pty Ltd*A member of Schneider Electric***Head Office**33-37 Port Wakefield Road, Gepps Cross,
South Australia 5094**Postal Address**PO Box 132, Enfield Plaza,
South Australia 5085

Telephone (08) 8161 0511

Facsimile (08) 8161 0900

Email plugin@clipsal.com.auInternet www.clipsal.com**National Customer Care Enquiries:****1300 2025 25****National Customer Care Facsimile:****1300 2025 56**

You can find this brochure and many others online in PDF format at:
clipsal.com

clipsal.com

Clipsal Australia Pty Ltd reserves the right to change specifications, modify designs and discontinue items without incurring obligation and whilst every effort is made to ensure that descriptions, specifications and other information in this catalogue are correct, no warranty is given in respect thereof and the company shall not be liable for any error therein.

© Clipsal Australia Pty Ltd

This material is copyright under Australian and international laws. Except as permitted under the relevant law, no part of this work may be reproduced by any process without prior written permission of and acknowledgement to Clipsal Australia Pty Ltd.