

# Catalogue No: 39.11 230 V AC

## MASTER BASIC 6A 1CO 230VAC COIL

Timers and Control Relays > General Purpose Relays > Electromechanical Relays > Finder Electromechanical Relays > Slim Relay Interface Modules > 39 Master Basic Series



Representative Photo Only  
(actual product may vary based on configuration selections)

### Master Basic 6A 1 C/O 240V AC Coil

- Complete range from PCB to power relays to cover all of your switching requirements
- International certifications and approvals including CE, CSA, EAC, PCT, RINA, VDE and RoHS, providing quality assurance of a market leading product
- Compact construction allowing for most efficient use of your space

#### SPECIFICATIONS

|  |                               |
|--|-------------------------------|
| Product Series                                   | 39                            |
| Component Type Timers and Control relays         | Relay                         |
| Contact Configuration                            | 1 CO                          |
| In, Rated Current                                | 6 A                           |
| Icw, Short Time Withstand Current, 10ms (rms)    | 10 A, 10ms                    |
| Un, Nominal Operational Voltage, AC              | 250 V AC                      |
| Ue, Rated Operational Voltage, AC, max           | 400 V AC                      |
| Contact Breaking Capacity, DC1, 30V              | 6 A                           |
| Contact Breaking Capacity, DC1, 110V             | 0.2 A                         |
| Contact Breaking Capacity, DC1, 220V             | 0.12 A                        |
| Rated Load, AC-1                                 | 1500 VA                       |
| Rated Load, AC-15                                | 300 VA                        |
| Contact Rated Power, Single Phase Motor, 230V AC | 0.185 kW                      |
| Coil Type  | AC                            |
| Coil Voltage, AC, Nom                            | 230 V AC                      |
| Coil Voltage, AC, Min                            | 184 V AC                      |
| Coil Voltage, AC, Max                            | 264 V AC                      |
| Material, Contacts                               | Silver Nickel (AgNi) material |
| Mechanical Service Life                          | 10000000 cycles               |
| Electrical Service Life at Un, In                | 60000 cycles                  |
| IP Rating  | IP20                          |
| Total Making Time                                | 5 ms                          |
| Total Breaking Time                              | 6 ms                          |
| Insulation Voltage, between Coil & Contacts      | 6000 V                        |
| Dielectric Strength, between open Contacts       | 1000 V AC                     |
| Mounting   | DIN-35 Rail Mount             |
| Operating Temperature, Min                       | -40 °C min                    |
| Operating Temperature, Max                       | 70 °C max                     |

# Catalogue No: 39.11 230 V AC

## MASTER BASIC 6A 1CO 230VAC COIL

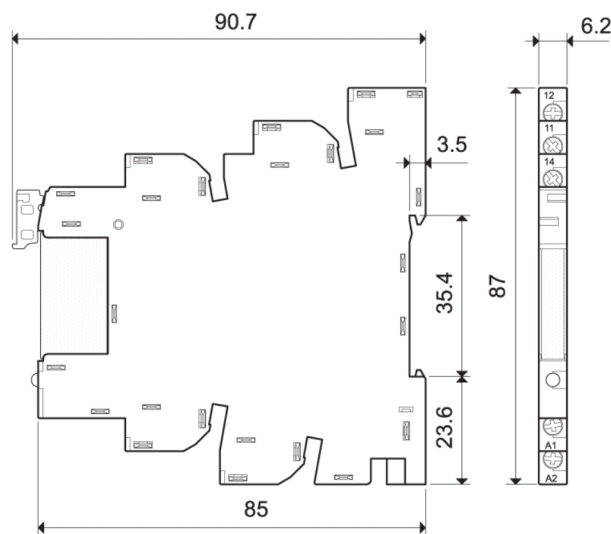
Timers and Control Relays > General Purpose Relays > Electromechanical Relays > Finder Electromechanical Relays > Slim Relay Interface Modules > 39 Master Basic Series



|   |  |
|---|--|
| Height                                  | 87 mm  |
| Width                                   | 6.2 mm                                       |
| Depth                                   | 90.7 mm                                      |
| Shock Duration (Max.)                   | 1 ms   |
| Vibration Acceleration (Max.)           | 10 m/s <sup>2</sup>                          |
| Vibration Frequency, Operational (Max.) | 55 Hz  |
| Certifications                          | CE<br>CSA<br>VDE<br>C-UR-US<br>EAC<br>GOST-R |
| Shipping Approvals                      | RINA (Registro Italiano Navale)              |

| REFERENCES                                  |   |
|---|---|
| IECEX Certificate                           | - |
| Supplier Declaration of Conformity:         | - |
| Installation Guide:                         | - |
| User Manual:                                | - |
| Manufacturer Datasheet:                     | - |
| Manufacturer Catalogue & Product Selection: | - |

39.10  
39.11  
Screw terminal

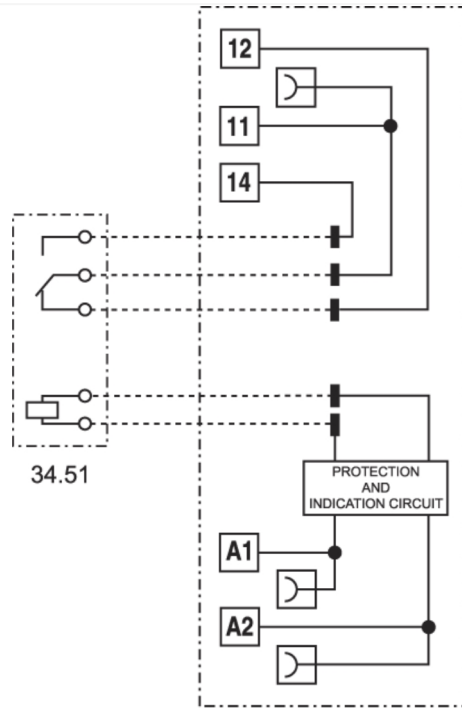


Dimension Diagram

Catalogue No: **39.11 230 V AC**

**MASTER BASIC 6A 1CO 230VAC COIL**

Timers and Control Relays > General Purpose Relays > Electromechanical Relays > Finder Electromechanical Relays > Slim Relay Interface Modules > 39 Master Basic Series



93.61

Connection / Wiring Diagram