

# Catalogue No: **800H-QRH2R**

## PL 30.5mm LED 12-130V RED

Operator Control Devices > Pushbuttons and Control Switches > Pushbuttons and Pilot Lights > Allen-Bradley  
800T/800H Pushbuttons > Pilot Light Units (Standard Units) > Plastic



### Pilot Light 30.5mm Plastic Led Red 12-130V ACDC



Representative Photo Only  
(actual product may vary based on configuration selections)

- 800T (metal) and 800H (plastic) 30.5 mm product lines are designed and constructed to perform in the most demanding industrial environments.
- Button caps made from thermoplastic polyester resin and deliver excellent resistance to corrosive agents and ensure color identification is never lost.
- Operator bushings are made from die cast zinc alloy giving strength and stability in installation.
- Riveted construction of the operator bushing, diaphragm seal and base plate, by four secure steel rivets, provides increased durability and tamper resistance.

#### SPECIFICATIONS

Product Series	800H
Component Type Pushbutton and Pilot Lights	Pilot Light
Diameter, lens	40.5 mm
Colour, Lens	Red colour
Material, Lens	Glass-Filled Nylon / PA6 / PA66 (Polyamide 6)
Material, Bezel	Glass-Filled Nylon / PA6 / PA66 (Polyamide 6)
Material, Body / Housing	TP (Thermoplastic) material
Terminal Type	Screw Terminal(s)
Material, Terminal	Chromated Zinc & Stainless Steel
Tightening Torque, Max	0.9 Nm
Tightening Torque, Min	0.65 Nm
Wire / Conductor Size (Max)	14 AWG ( 2.08 mm <sup>2</sup> )
Wire / Conductor Size (Min)	18 AWG ( 0.823 mm <sup>2</sup> ) min
Lamp Module Included	Yes
Un, Nominal Operational Voltage, AC	130 V AC
Ubmin, Service Voltage, AC, Min	12 V AC
Ubmax, Service Voltage, AC, Max	130 V AC
Un, Nominal Operational Voltage, DC	130 V DC
Ubmin, Service Voltage, DC, Min	12 V DC
Ubmax, Service Voltage, DC, Max	130 V DC
Rated Frequency	50 / 60 Hz
Lamp Holder	Integrated Lamp Module
Contact Block Included	No
Mounting	30.5mm Mounting
Ui, Rated Insulation Voltage	690 V (rms)
Dielectric Strength	2.2kV for 1 minute V AC
Electrical Service Life at Un, In	1000000 cycles
Mechanical Service Life	200000 cycles

# Catalogue No: **800H-QRH2R**

## PL 30.5mm LED 12-130V RED

Operator Control Devices > Pushbuttons and Control Switches > Pushbuttons and Pilot Lights > Allen-Bradley  
800T/800H Pushbuttons > Pilot Light Units (Standard Units) > Plastic



Operating Temperature, Max	55 °C max
Operating Temperature, Min	-40 °C min
Storage Temperature, Max	85 °C max
Storage Temperature, Min	-40 °C min
Relative Humidity, Min	50 %RH
Relative Humidity, Max	95 %RH
IP Rating	IP65 IP66
Shock Acceleration (Max.)	100 g
Shock Duration (Max.)	11 ms
Vibration Acceleration (Max.)	10 m/s <sup>2</sup>
Vibration Displacement (Peak to Peak Max.)	1.52 mm
Vibration Frequency, Operational (Max.)	2000 Hz
Standards Compliance	UL 508 CSA C22.2 No. 14 EN 60947-5-1 EN 60947-5-5 ISO 13850
Certifications	CE CSA UL CCC

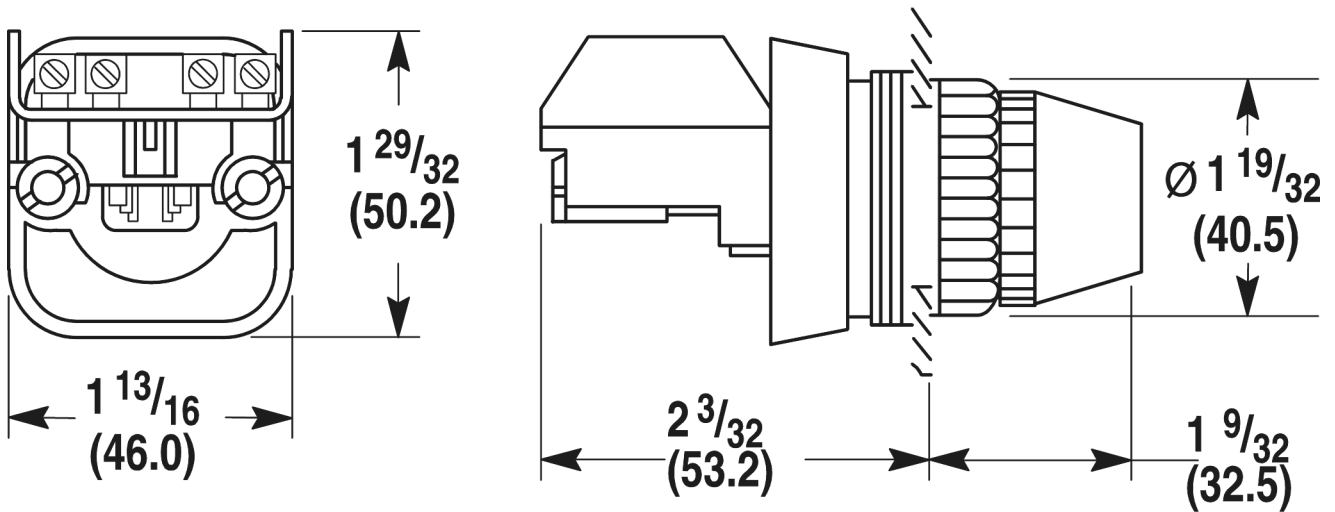
### REFERENCES

IECEX Certificate	-
Supplier Declaration of Conformity:	-
Installation Guide:	-
User Manual:	-
Manufacturer Datasheet:	<a href="#">800T/800H_Manufacturer Datasheet</a>
Manufacturer Catalogue & Product Selection:	<a href="#">800HQRH2R_Manufacturer Datasheet</a>

Catalogue No: **800H-QRH2R**

PL 30.5mm LED 12-130V RED

Operator Control Devices > Pushbuttons and Control Switches > Pushbuttons and Pilot Lights > Allen-Bradley  
800T/800H Pushbuttons > Pilot Light Units (Standard Units) > Plastic



Full Voltage and Dual Input Diode Type  
Pilot Light (Incandescent, Neon, LED)  
Shipping Weight. 5 oz (0.14 kg)

Dimension Diagram