

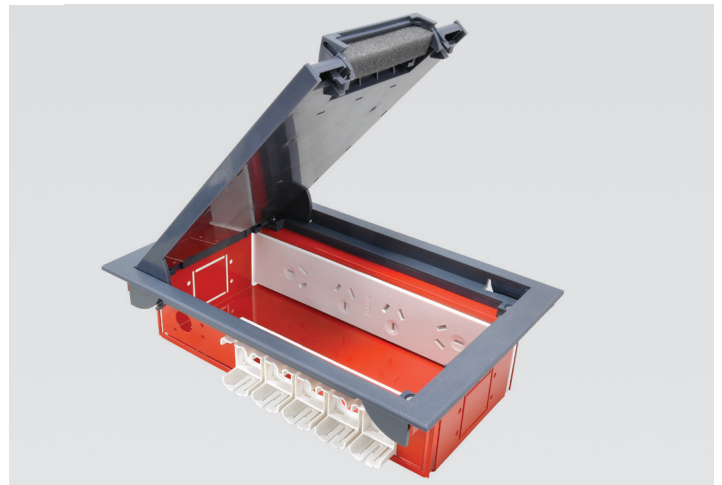
# qikFIT power

OE Elsafe's dynamic QikFIT power series has been designed to fit OE Elsafe power rails, table boxes, power boxes and industry standard cut-outs. All QikFIT modules simply click into the OE Elsafe PRODIGY cable basket for fast installation.

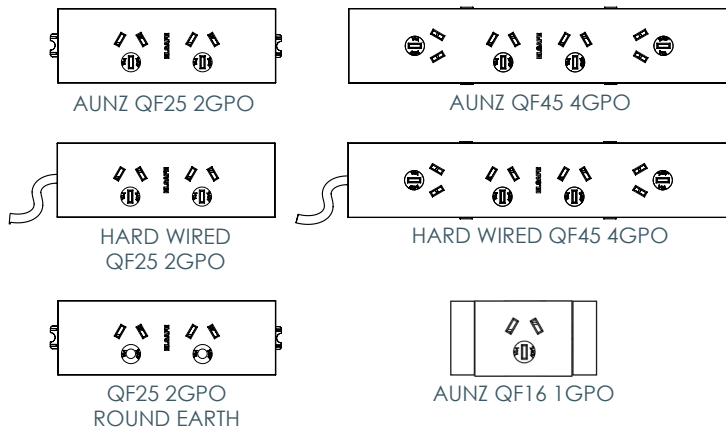
QikFIT sockets are auto-switched for a clean look and efficient operation. The multi directional sockets on the 4 gang QikFIT maximise options for chargers and plug packs.

The QikFIT series comes with either soft wired installation couplers, allowing for quick and easy change and CHURN or a hard wired option which incorporates a cable with the OE Elsafe J-Coupler on the end.

QikFIT can be fitted directly into screens up to 3mm thick or when using a Thick Panel Frame can be installed into panels from 3mm to 14mm thick. Stylish slim and sleek QikFIT will complement any workspace or office environment.



## Common Modular Components

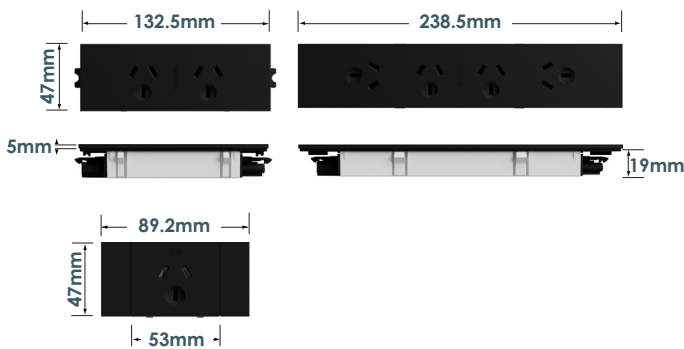


Four strong retaining clips that will fit panels 1mm to 3mm wide. (for panels 3mm to 14mm please see Thick Panel Frames)

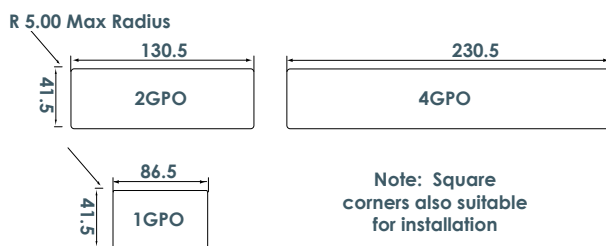
The QikFIT is made with the highest quality internal busbar system



QikFIT modules come with either a hardwired connection or softwired GST connectors



## Cutout Dimensions



## Features

QikFIT power modules are designed to fit OE Elsafe ceiling boxes, floor boxes, table boxes and power rails. Any combination of QikFIT power, data and AV can be specified providing complete connectivity and creating a smart streamlined finish to compliment any workspace.

All sockets are rated at 10A 250V

20A GST connectors suit Wieland GST cabling which is low profile and can be rewired.

Soft wired QikFIT comes with GST male and female connectors allowing for multiple QikFITs to be daisy chained.

Hardwired QikFIT is supplied with a sturdy 20A cable and an OE Elsafe J-Coupler, allowing for power to pass through the J-Coupler to power the QikFIT.

The four gang QikFIT incorporates multi directional sockets to allow for an array of chargers and plug packs

The QikFIT range will fit industry standard cut outs.

The QikFIT two gang can accommodate round earth for U.P.S., dedicated power (with red faceplate)

QikFIT power modules come in black, white, grey or red.

## Certifications and Safety

QikFIT Series Approval No: NSW 23497

The GST connectors incorporated into the ends of the QikFIT are compliant to standards IEC 61535 and AS/NZS61535

QIKFIT power, data and AV modules are designed and intended for commercial use only.

