



 legrand[®]

EXCEL *life*[™]

A switch for the better

CONTENTS

New Excel Life	2
Dedicated Plate Series	4
Common Plate Series.....	5
Secure Plate Series.....	7
Switches	8
Illuminated Dolly Ring	10
Dimmers.....	12
Multifunction Rotary Switch	15
Shutter Switch.....	16
Time Delay Switches	17
Powerpoints	18
LED Indicator Kits	21
Telephone and Data Jacks.....	22
Audio, Computing and TV Sockets.....	25
Signalling	26
Skirting Lights.....	28
Hotel Applications	29
Colour Options - Cover Plates.....	30
Catalogue	31
Notes	48

NEW EXCEL LIFE.

A SWITCH FOR THE BETTER.

Legrand is proud to present the all new Excel Life range, developed by a global team in both Australia and France over 24 months. Excel Life pushes improvements in both product design and manufacturing to bring a new level of excellence to the products you use every day. It's what we call everyday excellence.

You trusted the Excel product for decades. A trust built on reliability. The new Excel Life continues the commitment to best-in-class products, the same commitment that makes Legrand the world leader in manufacturing and supply of switches and outlets.

The modern design features slimmer plates and contemporary switches, to meet the needs of today's customers. But the improvements go well beyond just looks. The new Excel Life also delivers greater flexibility and control through miniaturising technology and modularity, delivering a product perfect for the contractor, specifier and end-user.

MINIATURISING TECHNOLOGY

Gone are some of the bulky mechanisms of the past. They've been replaced by smaller mechanisms designed to fit into a standard switch hole, so more can now be achieved from the one switch plate.

MODULARITY

Make unique combinations of products onsite – powerpoints are now available with spare function holes ready for you to slot in any extra mechanism you need. Add a surge protection module to a double powerpoint, for example.

ENVIRONMENTAL AWARENESS

Legrand is committed to delivering environmentally responsible products. The environmental footprint of Excel Life product is smaller than any similar product on the market. Excel Life also proudly boasts an industry first by introducing Product Environmental Profiles (PEPs) for key products. The PEPs outline materials, manufacture, distribution, usage and end of life product management details. They can help you make more educated decisions and assist you with your project documentation.

HIGHLIGHTS

Watch out for the new Excel Life range in stores; new products will be released regularly so to keep up-to-date go to www.legrand.com.au and sign-up for 'Newslink', our new product newsletter. Here's a sneak peek of some of the new range:



LED Illuminated
Dolly Ring Kit



Secure Plate Series
with screw lock



LED Indicator Kits



Single module Surge
Protectors and Time
Delay Mechanisms



Multi-function
All-in-one
Rotary Switch

EXCEL LIFE IS AVAILABLE IN 2 FORMATS.

THE DEDICATED PLATE SERIES

This series is the progression from HPM Excel, the product you know. A slimmer look and new rockers only hint at the exciting changes.



THE ALL NEW COMMON PLATE SERIES

An all new offering, this series features a common coverplate that can be used across the entire range. It's perfect for projects where easy maintenance is important.





SECURE PLATE SERIES

There are times when you need a little extra protection, from theft and damage. Projects like schools, public areas and anywhere that precautions are needed against vandalism. The Secure Plate series now offers the peace of mind of a cover plate that can only be removed with a screwdriver. Off-the-shelf solutions are available in one to six gang switches, single and double powerpoints. But it's also good to note any common plate series product can be fitted with a secure coverplate (ESCWPLWE).

ES777WE



Coverplate can only be removed with a screwdriver





SWITCHES

Choose from a wide range of switch mechanisms, from 5A electronic push buttons to 32A rockers and 'no-touch' options, there is something to suit all installations, budgets and customers.



STANDARD 770 ROCKER

Our standard rocker has been improved to 16A with a 16AX fluoro rating.

EM770WE



DUO 770 ROCKER

The Duo rocker allows you to switch two points from the one opening in a switch plate, which is great when retrofitting and you need an additional point because you can use the existing plate to reduce cost and wastage. The Duo mechanism allows you to switch more than six outputs from a standard plate, add two mechanisms and you can switch 8 outputs. Perfect when you're switching loads that are normally switched together but need to be switched individually sometimes.

EM770DUOWE



NO TOUCH SWITCH

Perfect for any environment where hygiene is paramount or for customers who just want that extra technology. The No Touch switch activates by simply passing your hand within 50mm of the switch.

EC914WE



ELECTRONIC PUSH BUTTON

A 3 wire switch with onboard programming that allows you to program the LED indicator to be RED or BLUE. You can also choose if the LED is completely off when the switch is not in use, or if it is on, but at a reduced brightness level.



EM883WE

Use with 'slave' switch for multi-way switching.



EM800SLAVEWE



EM770LEDWE

ILLUMINATED DOLLY RING

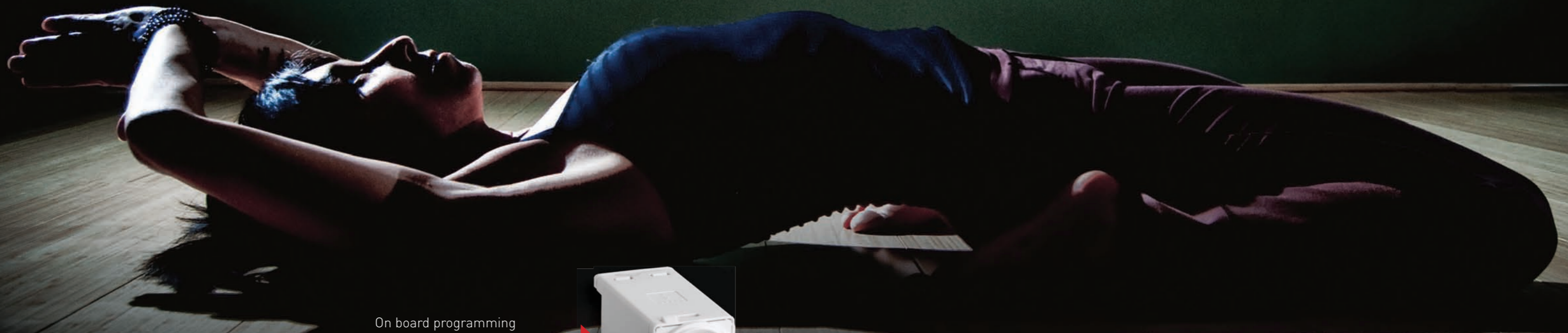
A brand new innovation that allows you to add a unique LED illumination ring to any standard 16A or 20A 770 rocker. Whether your customer is looking for a stylish design touch or a way to find the switch in the dark – the new Illuminated Dolly Ring Kit is the perfect solution.



DIMMERS

The new Excel Life range of dimmers provide whisper quiet operation and have overcome the annoying flicker caused by ripple injections in the mains supply. They are also fitted with over temperature protection, automatically dimming the lamp if it is overloaded or insufficiently derated.

The range includes 250VA, 400VA, 700VA trailing edge rotary dimmers and a 450VA universal electronic push button dimmer.



On board programming allows you to set the LED to be blue or red



EM450UPWE

Use with 'slave' switch for multi-way dimming.



EM800SLAVEWE

UNIVERSAL ELECTRONIC PUSH BUTTON

Choose a red or blue LED indicator with the onboard programming. Onboard programming also allows you to choose if the LED indicator is completely OFF when the switch is not in use, or if it remains ON at a reduced brightness to aid in locating the switch in the dark.

The universal 450UP also features a clever brightness memory, returning to the last brightness level used when the switch is activated. It can also be used with the Slave Switch (EM800SLAVEWE) for efficient multiway dimming.

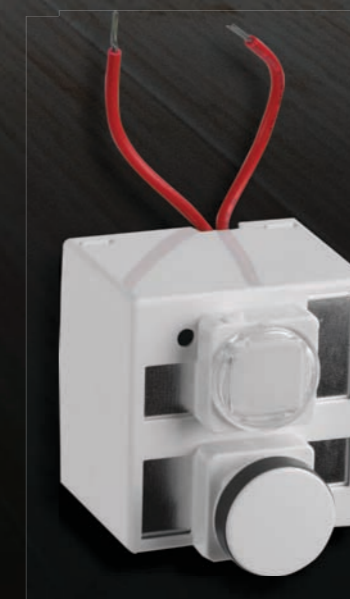
Suitable for use with electronic and wirewound transformers.

ROTARY DIMMERS

Suitable for use with electronic transformers the new rotary dimmers feature easy grip and lower profile knobs.



EM250TRWE & EM400TRWE



EM700TRWE



MULTIFUNCTION ROTARY SWITCH

An all-in-one rotary switch module that can do it all - 180°, 270° and 360°. Ideal for use with ceiling fans, but flexible enough to be used with motorised shutters and awnings. It also works with sensors, such as the Aquascan (630/9), so your customer can select lights ON, in movement sensor mode, or OFF.

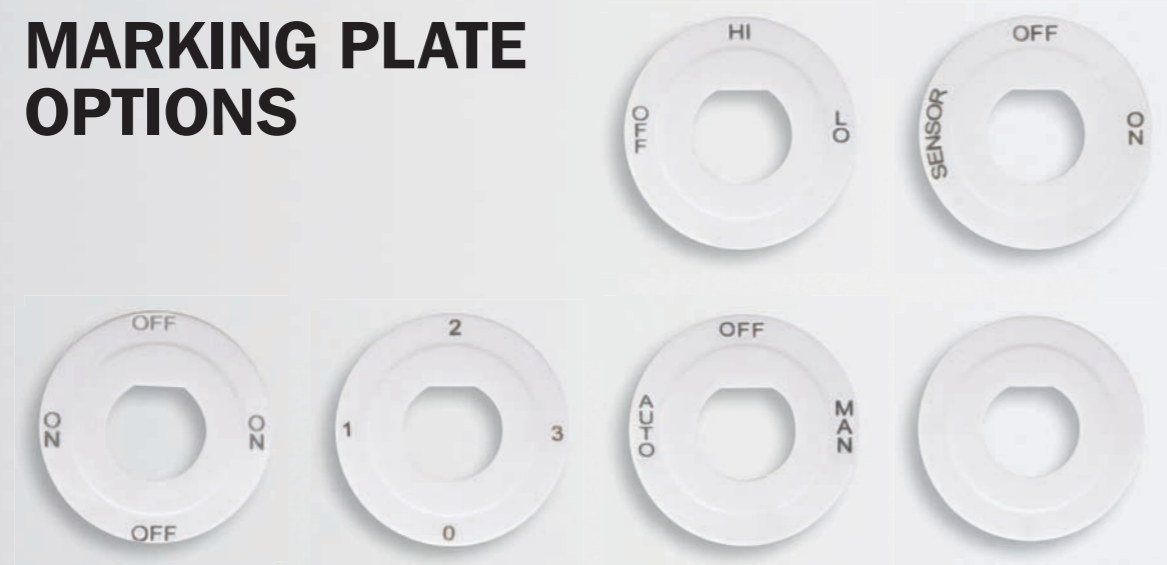
The rotary switch offers 6 marking plate options so you can tailor the product for the job.

Current Rating: 16A, 16AX (fluoro).



EMRSWE

MARKING PLATE OPTIONS





EC919WE

SHUTTER SWITCH

The ideal switch for controlling roller shutters or similar devices such as motorised blinds, awnings and curtains.

Available in two options: Direct model (EC920) and Relay model (EC919). Both are rated 6A.

TIME DELAY SWITCHES

EM802DWE

Perfect for use in stairwells of apartment buildings and similar situations, this Time Delay Switch offers a simple 2 wire product that's quick to program and works well with CFLs, delivering a flicker free result. Program one to ten minute time delays in one minute increments. The handy 770 module size means you can slot it into any normal switch hole.

EC923TWE

This switch allows you to program up to 8 weekly scenarios, making it the only choice for use in situations when lights need to be turned on and off at specific times such as schools, shops or sports facilities. It can also be used in conjunction with a motor such as a pool pump. Should the power go out, a working reserve will ensure the programming is maintained for 20 hours.



EM802DWE



EC923TWE

POWERPOINTS

The new Excel Life powerpoints all include internal safety shutters as a standard feature, ensuring extra peace of mind for your customers. There are plenty of innovations with you in mind as well: inline terminals on double GPOs and 4 corner fixing options simplify installation.

For even greater flexibility on site, Excel Life powerpoints are available with an extra mechanism hole. Create the solution you need on the spot by adding the extra mechanism required, from a surge protection module to an oven switch.



COMMON PLATE SERIES

Add a surge protection module, 20A switch – whatever mechanism you need!



EC787WE



EC787XWE



EC777WE

DEDICATED PLATE SERIES



ED787WE



ED777WE



ED777XWE



ED7774WE



4 corner fixing options

Inline terminals for faster installation.



Quickfit spade terminals on 777X models.

LED INDICATORS KITS

LED indicators that show at a glance "power available" and/or "power supplied" are ideal for hospitals and other medical facilities, factories, workshops and temporary building sites. The single 770 module mechanisms are pre-fitted with 'quick fit' lead ends that are ready to connect to the Excel Life sockets.



EM803LEDWE



EMPAPS1WE



EMPAPS2WE



EMPAWE



EMPS1WE



EMPS2WE

TELEPHONE AND DATA JACKS

CAT 3, CAT 5E, CAT 6

Available in white, yellow, black, blue, green or red, Excel Life jacks are compatible with both Krone and 110 DC termination tools – your choice. Cat 3 models provide an additional slot for easy telephone looping – rather than inserting 2 cables in 1 terminal.



EMRJ45C5EYE



EMRJ11C3BL

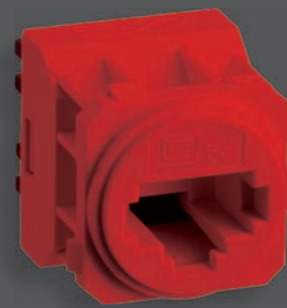


EMRJ11C3WE

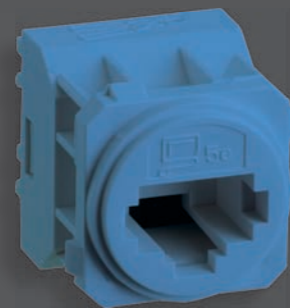
Icon makes it easier for end-users to determine if it's a phone or data jack.



EMRJ45C5EGR



EMRJ45C5ERD



EMRJ45C5EBU





AUDIO, COMPUTING AND TV SOCKETS

The world of entertainment and computing is becoming more and more demanding. The Excel Life range of audio, computing and TV sockets is designed meet this demand, with solutions that suit homes and commercial applications such as offices, boardrooms, hotel function rooms, and computing and audio shop applications.



EMFFFOXWE
F to F TV outlet
Foxtel approved



EMRCARDWE
RCA outlet, red
F-type on rear



EMRCAWEWE
RCA outlet, white
F-type on rear



EMRCAYELWE
RCA outlet, yellow
F-type on rear



EMSPWE
PAL to saddle TV outlet



ECUSBWE
USB type A female outlet



EC910J35WE
3.5 female audio outlet



EC920HDMIWE
HDMI socket



EC920LJWE
Loudspeaker outlet



EC920MSVIDWE
S-video outlet



EC920VGAWWE
VGA outlet female
connection

SIGNALLING

Good signalling can increase the efficiency of a work environment, minimise costly disruptions and most importantly, prevent accidents. Excel Life offers 2 signalling solutions.

SIGNAL LIGHTS

Customise and update the graphic panel with ease. Simply print the symbol required on transparency paper and slot into the window. To make it even easier a PDF of commonly used symbols is available.

Ideal for operating theatres, studios, test labs and other special access rooms. Available in white, blue, and red/green LEDs.



EC520WE



EC524WE



EC524WE



EC521WE

BULKHEAD LIGHTS

Perfect for corridor navigation. Available with red, blue, green and white LEDs.



EC571WE



EC572WE



EC570WE



EC573WE



SKIRTING LIGHT

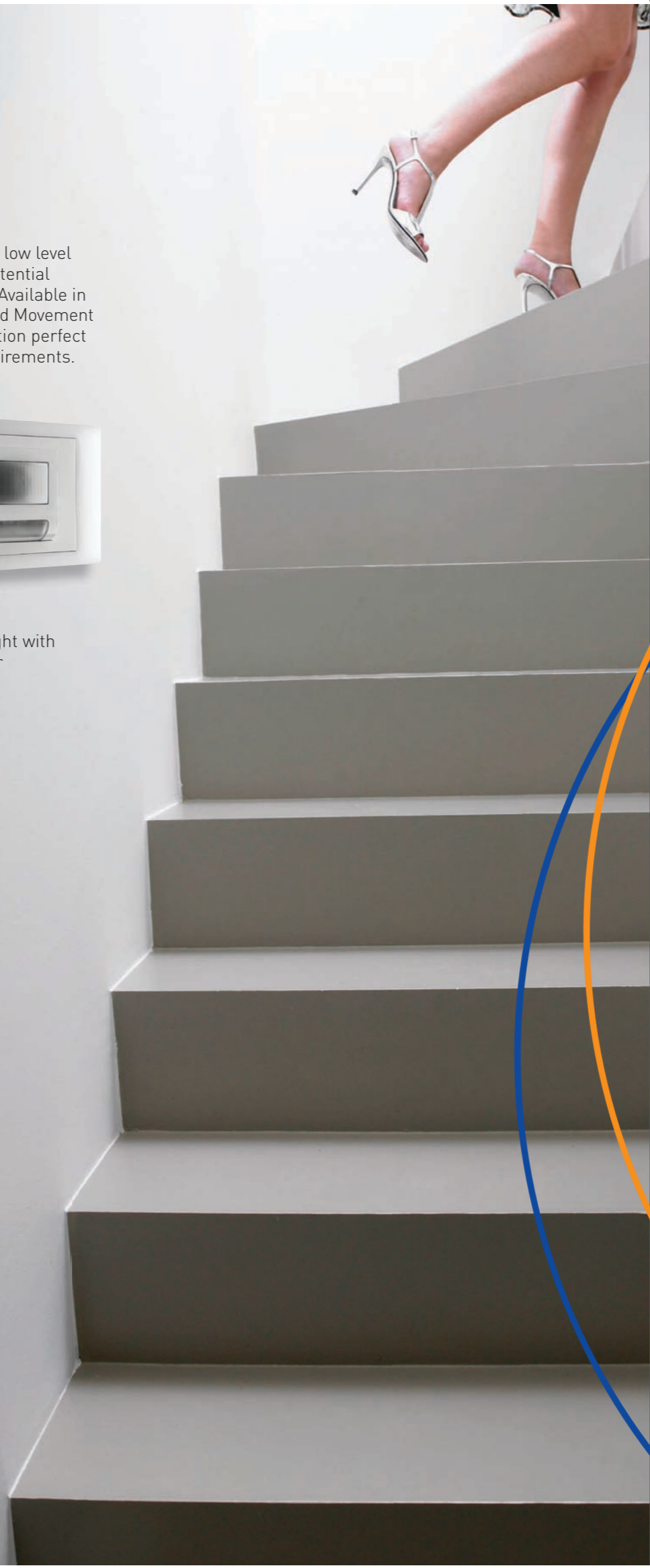
Create a safe environment in stairwells and low level lighting environments, or highlight other potential hazards with the Excel Life Skirting Lights. Available in two models: Permanent Light (EC510WE) and Movement Sensor (EC511WE) with optional audio function perfect for aged care facilities with high safety requirements.



EC510WE
Skirting light



EC511WE
Skirting light with PIR sensor



HOTEL APPLICATIONS

Offer a more professional alternative to cardboard swing tags for your Hotel customers.

The Hotel Guest Call Control is installed inside the room giving guests the ability to simply indicate: 'do not disturb' or 'clean the room'. The Hotel Corridor Indicator, installed outside the room, signals the option to staff in the corridor.

The new electronic key fob switches now include a 30 second time delay giving hotel guests time to comfortably exit or collect a few last belongings before all the lights turn off.



EC925WE
Hotel guest room call control



EC924WE
Hotel corridor call indicator



ECKFSWE
Electronic keyfob switch with 30 second time delay

Excel Life™
light switches - dedicated plate series

Excel Life™
light switches - common plate series
shutter, blind, curtain control



Pack	Cat No.		Dedicated plate switches	Pack	Cat No.	Common plate switches
	White	Urban Grey			White	
10	ED770/1WE	ED770/1UG	Standard rocker switch mechanisms are 16AX fluoro rated 1 gang switch 16A 230 - 240V a.c.	10	EC770/1WE	1 gang switch 16A 230 - 240V a.c.
10	ED770/2WE	ED770/2UG	2 gang switch 16A 230 - 240V a.c.	10	EC770/2WE	2 gang switch 16A 230 - 240V a.c.
10	ED770/3WE	ED770/3UG	3 gang switch 16A 230 - 240V a.c.	10	EC770/3WE	3 gang switch 16A 230 - 240V a.c.
10	ED770/4WE	ED770/4UG	4 gang switch 16A 230 - 240V a.c.	10	EC770/4WE	4 gang switch 16A 230 - 240V a.c.
10	ED770/5WE	ED770/5UG	5 gang switch 16A 230 - 240V a.c.	10	EC770/5WE	5 gang switch 16A 230 - 240V a.c.
10	ED770/6WE	ED770/6UG	6 gang switch 16A 230 - 240V a.c.	10	EC770/6WE	6 gang switch 16A 230 - 240V a.c.
				6	EC914WE	No Touch switch, 10AX 230-240V a.c.
						Shutter, blind, curtain control
10				10	EC919WE	Push button switch (via relay) 6A 230-240V a.c.
10				10	EC920WE	Push button switch (direct) 6AX (fluoro rated) 230-240V a.c.

COLOUR OPTIONS

The Excel Life Dedicated Plate series is available in White and Urban Grey (Available late 2011). The Excel Life Common Plate series is only available in White. Matt Silver cover plates are available for a stylish upgrade to Dedicated Plate products. Check the catalogue pages for details.



WHITE (WE)



URBAN GREY (UG)

Dedicated Plate Series only - Available late 2011



MATT SILVER (MS)

Dedicated Plate Series only



Any 16 or 20A standard rocker switch can be fitted with an illuminated ring kit (EM770LEDWE) for a modern edge and a great 'find the switch in the dark' solution. See p40.



Any common plate series light switches can be fitted with a secure plate (ESCWPLWE) for environments where the prevention of petty vandalism is important. See p46.

Excel Life™
electronic and mechanical mechanisms

Excel Life™
mechanical mechanisms
keylock mechanisms



Pack	Cat No.	
10	White EM883WE	Urban Grey EM883UG
10	EM800-SLAVEWE	EM800-SLAVEUG

Electronic push button mechanisms

See p34. for wiring diagrams

Electronic push button 5A, 230 - 240V a.c. Fluoro rated 500VA.

Secondary control push button 230 - 240V a.c.

10	EM770DUOWE	EM770DUOUG
10	EMRSWE	EMRSUG

2 x single pole single throw 16A fluoro rated 10AX 230 - 240V a.c.

Rotary switch mechanism - (all-in-one solution), comes with 6 marking plate options and 180°, 270° and 360° rings. 16A fluoro rated 16AX 230-240V a.c.

10	EM770WE	EM770UG
10	EM770IMWE	EM770IMUG
10	EM770DPWE	EM770DPUG
10	EM770/-20DPWE	EM770/-20DPUG
10	EM770/20WE	EM770/20UG
10	EM770/-20RDWE	EM770/-20RDUG
10	EM770/25WE	EM770/25UG
10	EM770/32WE	EM770/32UG

Mechanical mechanisms

See p33. for wiring diagrams

Single pole double throw 16A fluoro rated 16AX, 230 - 240V a.c.

Intermediate 16A 230 - 240V a.c.

Double pole double throw 16A fluoro rated 10AX, 230 - 240V a.c.

Double pole double throw 20A fluoro rated 10AX, 230 - 240V a.c.

Single pole single throw 20A fluoro rated 20AX, 230 - 240V a.c.

Single pole double throw with red indicator 20A fluoro rated 20AX 230 - 240V a.c.

Single pole single throw 25A fluoro rated 20AX, 230 - 240V a.c.

Single pole single throw 32A, fluoro rated 20AX, 230 - 240V a.c.

10	EM820-KLIOWE	EM820-KLIOUG
10	EM820KLIWE	EM820KLIUG
10	EM820KLOWE	EM820KLOUG

Keylock mechanisms

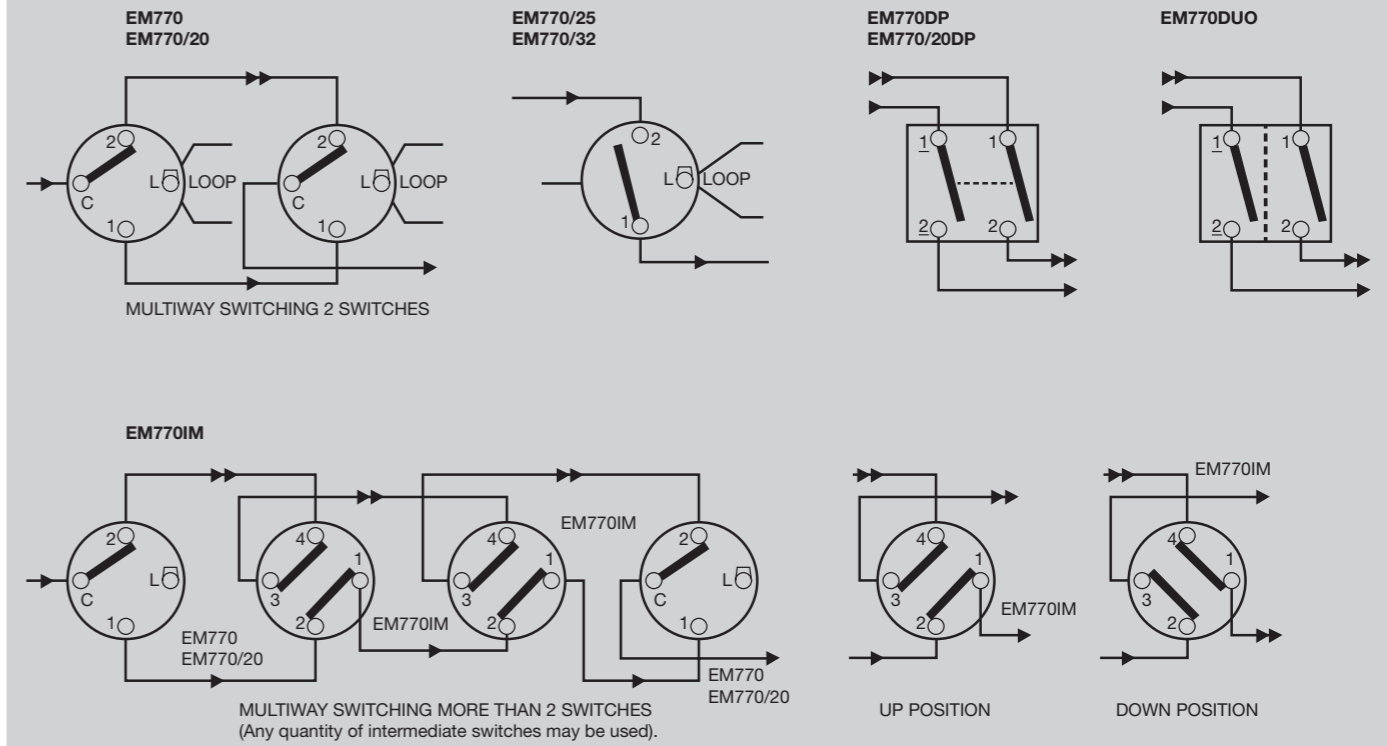
Switch mechanism 1 gang keylock switch removable OFF or ON position 20A fluoro rated 20AX, 230 - 240V a.c.

Switch mechanism 1 gang keylock switch removable ON only 20A fluoro rated 20AX, 230 - 240V a.c.

Switch mechanism 1 gang keylock switch removable OFF only 20A fluoro rated 20AX, 230-240V a.c.

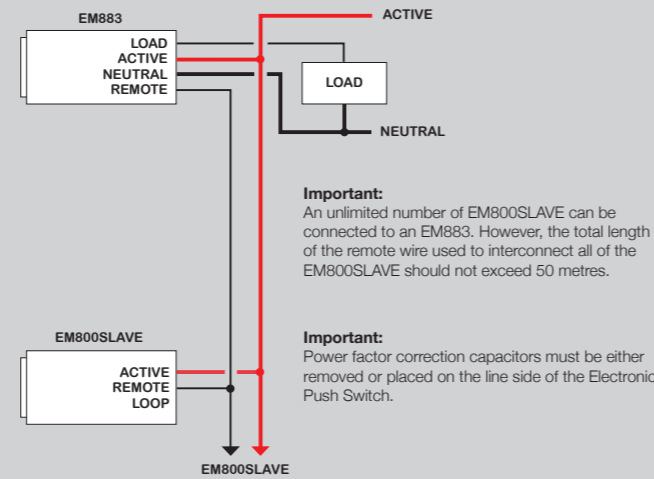
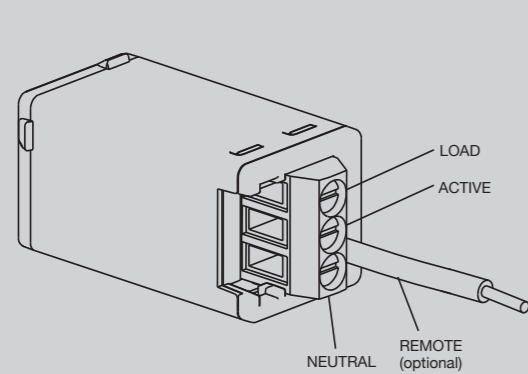
Excel Life™
switch mechanisms

Mechanical switch mechanism wiring diagrams



Electronic push button switch wiring diagram
EM883WE

■ Connect optional Secondary Control Buttons (EM800SLAVE) to enable switching from multiple locations.



Technical characteristics

 +50°C +0°C 230 - 240V a.c. 50Hz	 1 x 2.5 mm ² 2 x 1.5 mm ²	Incandescent	Halogen	Fluorescent tube	Wirewound transformer	Electronic transformer	Compact fluorescent	LED	Fan motor
Max load		1200W	1200W	500VA	500VA	500VA	500VA	500VA	500VA

Minimum load = 10VA for all load types

LED Indicator

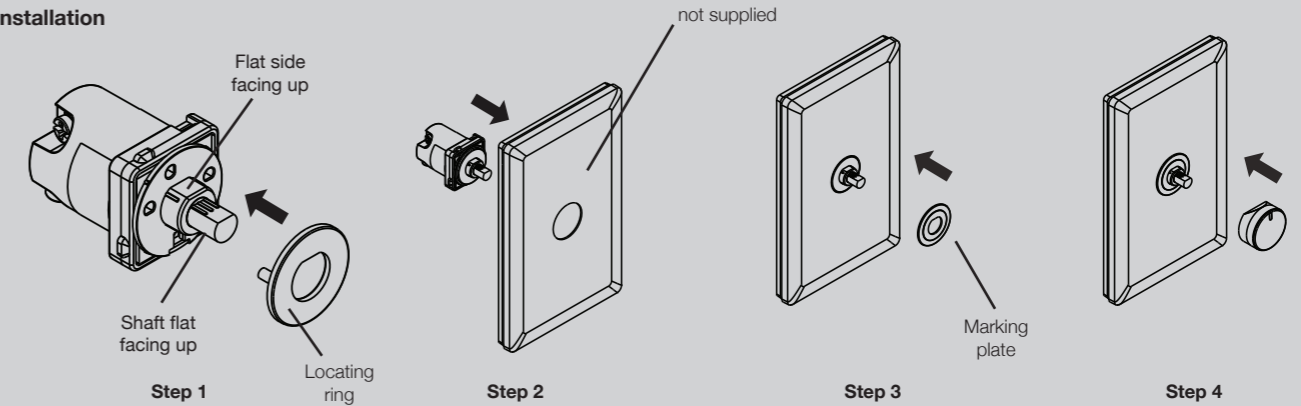
■ The colour of the LED indicator can be either red or blue. In addition, when the switch is off the LED indicator can either glow faintly or be off completely. The four possible modes are as follows:

■ To change between modes, press and hold the push button for at least 10 seconds. This will select the next mode in the sequence above.

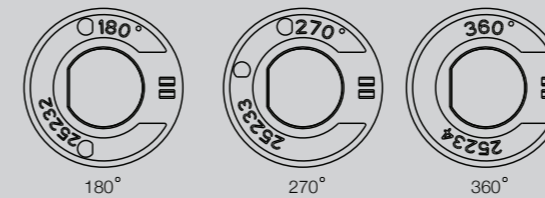


Mode	Status of LED indicator	
	Switch on	Switch off
1	Bright red	Faint red
2	Bright blue	Faint blue
3	Bright red	Off
4	Bright blue	Off

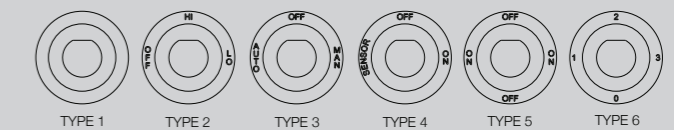
Installation



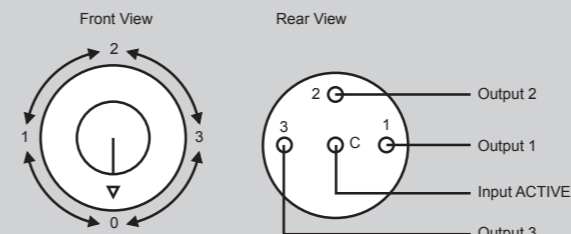
Rotation ring options



Marking plate options



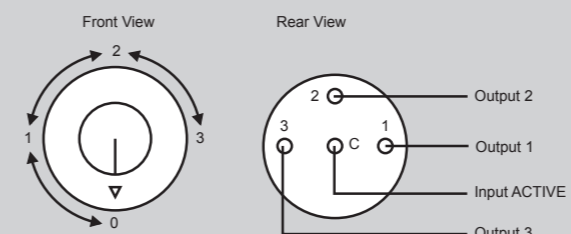
Wiring for 360° rotation



Select one of the following wiring options:

POSITION				WIRING
0	1	2	3	
OFF	ON	ON	ON	Connect All Terminals
OFF	ON	OFF	ON	Do Not Connect Terminal 2

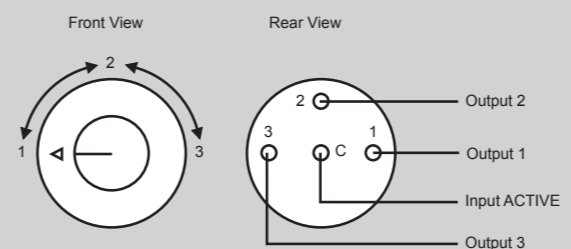
Wiring for 270° rotation



Select one of the following wiring options:

POSITION				WIRING
0	1	2	3	
OFF	ON	ON	ON	Connect All Terminals

Wiring for 180° rotation



Select one of the following wiring options:

POSITION			WIRING
1	2	3	
ON	ON	ON	Connect All Terminals
ON	OFF	ON	Do Not Connect Terminal 2
OFF	ON	ON	Do Not Connect Terminal 1
ON	ON	OFF	Do Not Connect Terminal 3

Excel Life™
dimmers

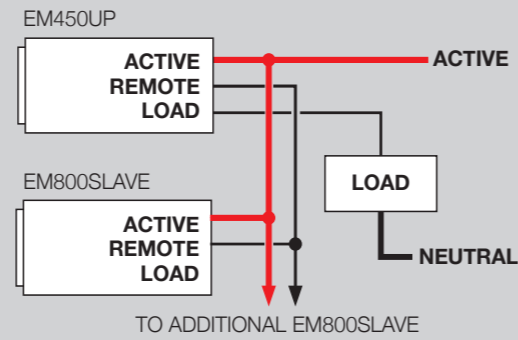


Pack	Cat No.		Dimmers
10	White EM450UPWE	Urban Grey EM450UPUG	<p>Electronic push button can be used with EM800SLAVE for multi-way dimming. Onboard programming allows the LED to be blue or red.</p> <p>Electronic push button 450VA universal load 230 - 240V a.c.</p> <p>Rotary</p> <p>New easy grip lower profile knob. Automatically dims if dimmer is overloaded or insufficiently derated</p>
10	EM250TRWE	EM250TRUG	<p>250VA Trailing edge 230 - 240V a.c.</p>
10	EM400TRWE	EM400TRUG	<p>400VA Trailing edge 230 - 240V a.c.</p>
10	EM700TRWE	EM700TRUG	<p>700VA Trailing edge 230 - 240V a.c.</p>

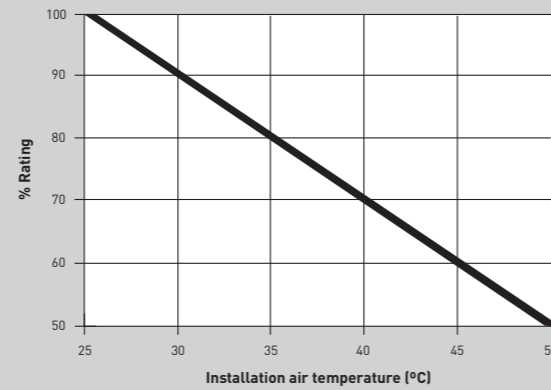
Excel Life™
electronic push button dimmer - EM450UP

Wiring

■ Connect optional Secondary Control Buttons (EM800SLAVE) to enable dimming from multiple locations.



Important:
An unlimited number of EM800SLAVE can be connected to an EM450UP. However, the total length of the remote wire used to interconnect all of the EM800SLAVE should not exceed 50 metres.



Important:
When used in ambient temperatures greater than 25°C, the dimmer must be de-rated according to the following chart.

Excel Life™
Rotary dimmers - EM250TR/EM400TR/EM700TR

Technical characteristics

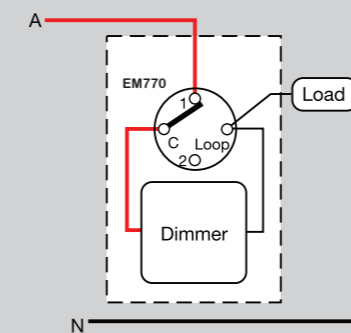
Temperature +50°C +0°C 230 - 240V a.c. 50Hz	Wiring 1 x 2.5 mm² 2 x 1.5 mm²	Incandescent	Halogen	Fluorescent tube	Wirewound transformer	Electronic transformer	Dimmable compact fluorescent	LED	Fan motor
		Max load EM250TR	1 dimmer per plate: 250W	250W	250W	X	X	250VA	250VA see note
	2 dimmers per plate: 225W	225W	225W	X	X	225VA	225VA see note	X	X
	3 dimmers per plate: 200W	200W	200W	X	X	200VA	200VA see note	X	X
Max load EM400TR	1 dimmer per plate: 400W	400W	400W	X	X	400VA	400VA see note	X	X
	2 dimmers per plate: 350W	350W	350W	X	X	350VA	350VA see note	X	X
	3 dimmers per plate: 300W	300W	300W	X	X	300VA	300VA see note	X	X
Max load EM700TR	1 dimmer per plate: 700W	700W	700W	X	X	700VA	700VA see note	X	X

Minimum load = 10VA for all load types

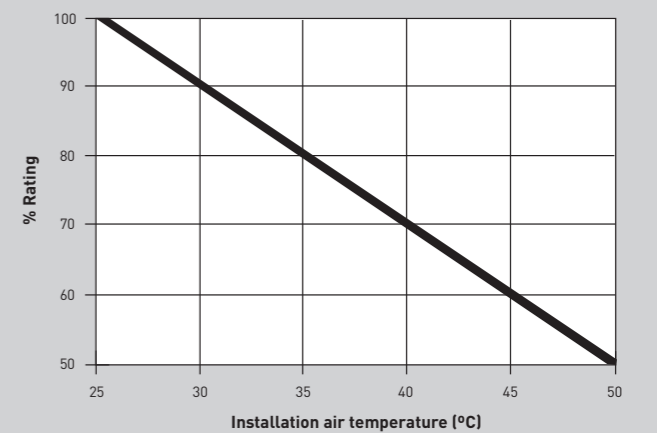
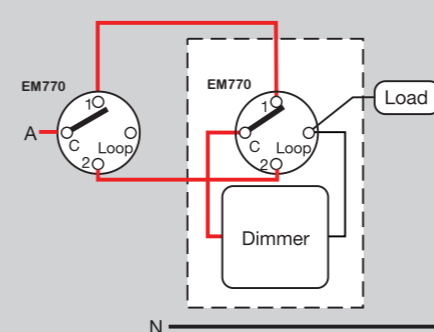
Note: Compact Fluorescent Lamps (CFLs), also known as Energy Saving Lamps, can only be dimmed if they are specifically marked as "dimmmable". Dimmable CFLs may have different characteristics from brand to brand, and so each brand may require a specific type of dimmer to operate correctly. Using the incorrect dimmer may cause the CFL to flicker. Please read the documentation that comes with each CFL carefully to ensure that the CFL and dimmer are compatible. For more information, please contact HPM Legrand. In some cases, the dimmable CFL may turn off or flicker when dimmed to a very low brightness. This can be overcome by ensuring that the dimmer brightness is not set too low. See "Setting minimum brightness" for instructions on how to achieve this.

Wiring

One-way wiring diagram



Two-way wiring diagram



Important:
When used in ambient temperatures greater than 25°C, the dimmer must be de-rated according to the following chart.

Electronic push button dimmer
EM450UP

Technical characteristics

Temperature +50°C +0°C 230 - 240V a.c. 50Hz	Wiring 1 x 2.5 mm² 2 x 1.5 mm²	Incandescent	Halogen	Fluorescent tube	Wirewound transformer	Electronic transformer	Compact fluorescent	LED	Fan motor
		Max load	1 dimmer per plate: 450W	450W	450W	X	270VA	450VA	X
	2 dimmers per plate: 400W	400W	400W	X	240VA	400VA	X	X	X
	3 or more dimmers per plate: 350W	350W	350W	X	210VA	350VA	X	X	X

Minimum load = 10VA for all load types

Excel Life™
time delay switches



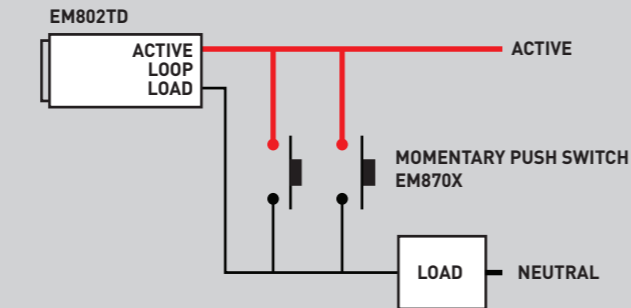
EM802TDWE EC923TWE

Pack	Cat No.	Time delay mechanisms
10	White EM802TDWE Urban Grey EM802TDUG	Programmable time delay switch, 2 wire all load 400VA, 230 - 240V a.c. Can be programmed from 1-10 minutes in steps of 1 minute.
6	EC923TWE	Programmable time delay switch, 10A 230 - 240V a.c. Up to 8 weekly programmes, 20hrs working reserve

Excel Life™

Wiring EM802TD

■ Connect optional Momentary Push Switches (EM870X) to enable switching from multiple locations.



Note:
EM870X available 2012

Important:
An unlimited number of EM870X can be connected to an EM802TD. However, the total length of the load wire used to interconnect all of the EM870X should not exceed 50 metres.

Technical characteristics EM802TD

	Incandescent	Halogen	Fluorescent tube	Wirewound transformer	Electronic transformer	Compact fluorescent	LED	Fan motor
+50°C +0°C 230 - 240V a.c. 50Hz								
Max load	400W	400W	400VA*	X	400VA	400VA	400VA	X

Minimum load = 10VA for all load types

* Electronic ballast only

Excel Life™
powerpoints - dedicated and secure plate series
surge protection module



ED777WE ED7774WE EM803SURGEWE EC777WE EC787WE ES777WE

Pack	Cat No.	Dedicated plate powerpoints
10	White ED777WE Urban Grey ED777UG	Double powerpoint 10A 230 - 240V a.c.
10	ED777XWE ED777XUG	Double powerpoint with extra function hole, 10A 230 - 240V a.c.
10	ED777/15WE ED777/15UG	Double powerpoint 15A 230 - 240V a.c.
10	ED787WE ED787UG	Single powerpoint 10A 230 - 240V a.c.
10	ED787XWE ED787XUG	Single powerpoint with extra function hole, 10A 230 - 240V a.c.
10	ED787/2XWE ED787/2XUG	Single powerpoint with 2 extra function holes, 10A 230 - 240V a.c.
10	ED787/15WE ED787/15UG	Single powerpoint 15A 230 - 240V a.c.
10	ED7774WE ED7774UG	4 gang powerpoint 10A 230 - 240V a.c.
10	EM803-SURGEWE EM803-SURGEUG	Mechanism surge protection module 500J, 230-240V a.c.

Excel Life™
powerpoints - common plate series

Pack	Cat No.	Common plate powerpoints
10	White EC777WE	Double powerpoint 10A, 230 - 240V a.c.
10	EC777XWE	Double powerpoint with extra function hole, 10A, 230 - 240V a.c.
10	EC777/15WE	Double powerpoint 15A, 230 - 240V a.c.
10	EC777/15XWE	Double powerpoint with extra function hole, 15A, 230 - 240V a.c.
10	EC787WE	Single powerpoint 10A, 230 - 240V a.c.
10	EC787/15WE	Single powerpoint 15A, 230 - 240V a.c.
10	EC787XWE	Single powerpoint with extra function hole, 10A, 230 - 240V a.c.
10	EC787/2XWE	Single powerpoint with 2 extra function holes, 10A, 230 - 240V a.c.
10	EM787WE	Single powerpoint 10A 230 - 240V a.c. mechanism only
10	ES777WE	Double powerpoint 10A 230 - 240V a.c.
10	ES787WE	Single powerpoint 10A 230 - 240V a.c.

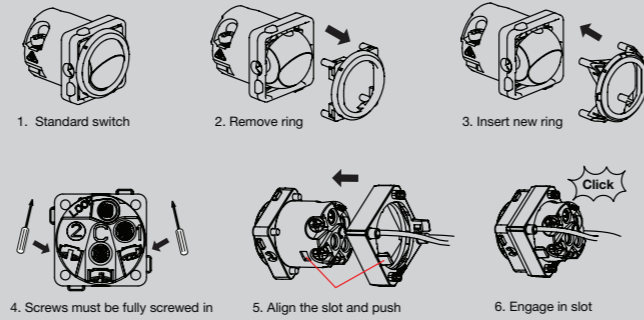
Secure plate powerpoints



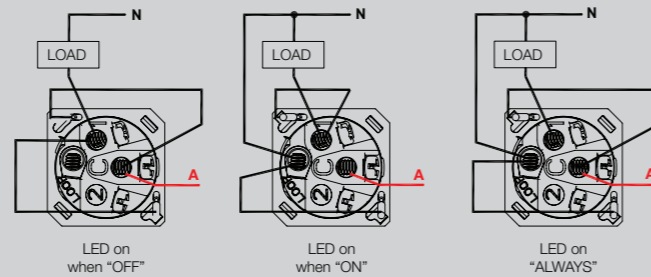
Pack Cat No. Illumination kits

Pack	Cat No.	Illumination kits
	White Urban Grey	
10	EM770LEDWE EM770LEDUG	EM770 illumination kit blue LED 230 - 240V a.c.
10	EM803LEDWE EM803LEDUG	White LED and coloured lenses kit 230 - 240V a.c.
10	EMPAPS1WE EMPAPS1UG	Power available and 1 gang power supplied indicator kit 230 - 240V a.c.
10	EMPAPS2WE EMPAPS2UG	Power available and 2 gang power supplied indicator kit 230 - 240V a.c.
10	EMPAWE EMPAUG	Power available indicator kit 230 - 240V a.c.
10	EMPS1WE EMPS1UG	Power supplied to 1 outlet indicator kit 230 - 240V a.c.
10	EMPS2WE EMPS2UG	Power supplied to 2 outlets indicator kit 230 - 240V a.c.

Installation
EM770LED - LED 770 illumination kit



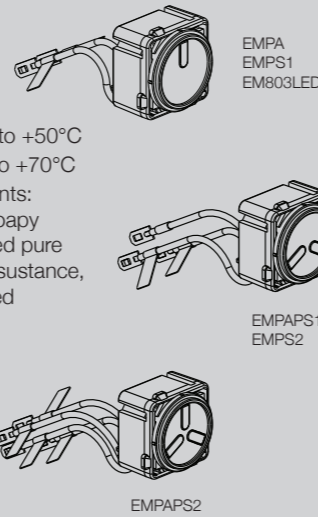
Wiring



LED Power Available/Power Supplied Indicator Kits
EMPAPS2, EMPAPS1, EMPA, EMPS1, EMPS2, EM803LED

Features

- Voltage: 240V~
- Frequency: 50Hz
- Current: 1.2mA per indicator
- Operating temperature: -5°C to +50°C
- Storage temperature: -10°C to +70°C
- Resistant to the following agents: Hexane, methylated spirits, soapy water, diluted ammonia, diluted pure bleach (10%), glass cleaning substance, pre-impregnated wipes, diluted hydrogen peroxide
- Not resistant to the following agents: Acetone, tar remover, trichloroethylene

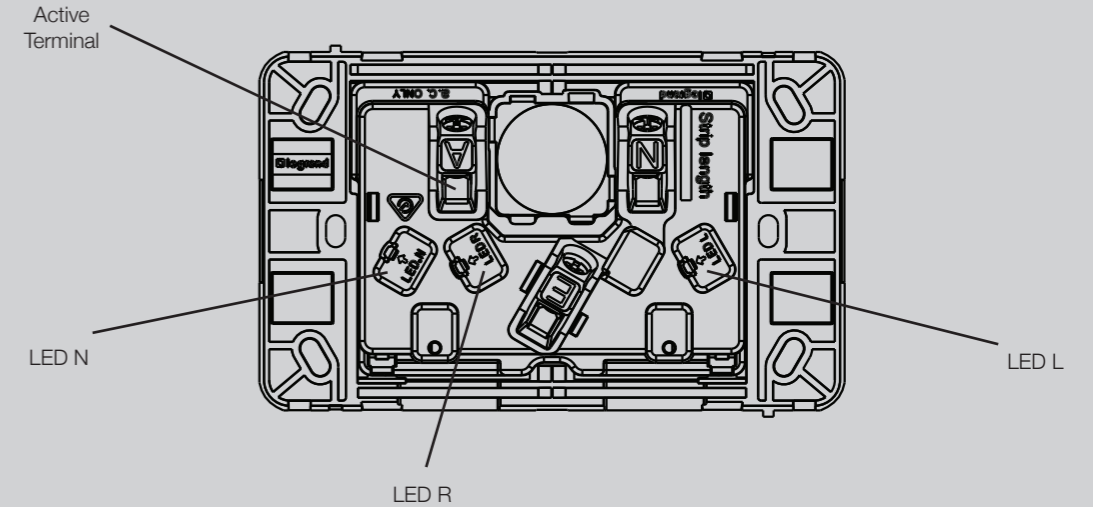
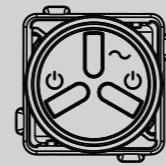


Wiring

Wire/lead marking	EMPAPS2	EMPAPS1	EMPA	EMPS2	EMPS1	EM803LED (power available)++	EM803LED (power supplied)	EM803LED (power available without neutral)**
LED N	Neutral	Neutral	Neutral	Neutral	Neutral	Neutral	Neutral	Switched active
LED L	Switched Active (LHS)			Switched Active (LHS)				
LED R	Switched Active (RHS)			Switched Active (RHS)				
LED		Switched active			Switched active			
A	Active	Active	Active			Active	Switched active	Active

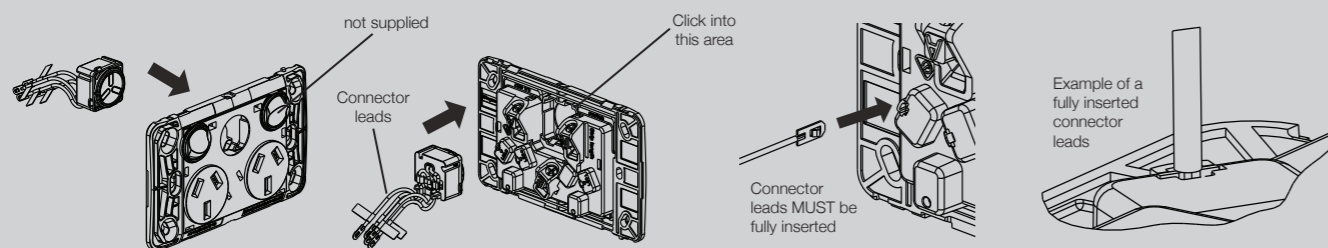
++ = In this mode the LED indicator will be ON whenever there is power available to the product.
** = In this mode the LED indicator will only be ON whenever the associated switch/socket is OFF. The current required to light the indicator when the switch is ON will be bled through the load.

Example:
EMPAPS2

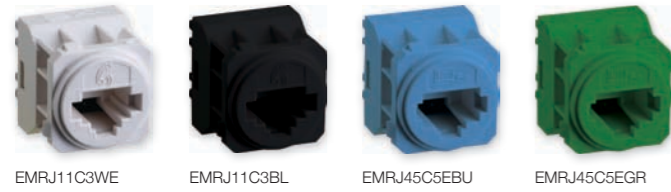


'~' = Power available
'⏻' = Power supplied

Installation
EMPAPS2, EMPAPS1, EMPA, EMPS1, EMPS2, EM803LED
LED Power Available/Power Supplied Indicator Kits

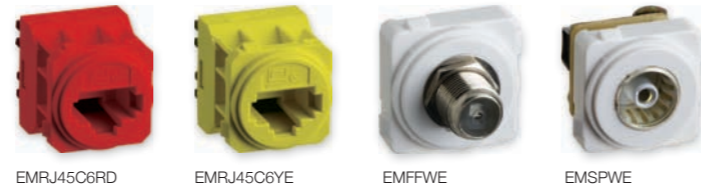


Excel Life™
RJ11 Cat 3 voice sockets
RJ45 Cat 5e sockets



EMRJ11C3WE EMRJ11C3BL EMRJ45C5EBU EMRJ45C5EGR

Excel Life™
RJ45 Cat 6 data sockets
TV outlets



EMRJ45C6RD EMRJ45C6YE EMFFWE EMSPWE

Pack	Cat No.	RJ11 voice sockets	
		Additional slot available for looping. Compatible with both Krone and IDC termination tools	
10	EMRJ11C3WE		CAT 3 RJ11 voice socket white
10	EMRJ11C3BL		CAT 3 RJ11 voice socket black
10	EMRJ11C3BU		CAT 3 RJ11 voice socket blue
10	EMRJ11C3GR		CAT 3 RJ11 voice socket green
10	EMRJ11C3RD		CAT 3 RJ11 voice socket red
10	EMRJ11C3YE		CAT 3 RJ11 voice socket yellow

Pack	Cat No.	RJ45 data sockets CAT 6	
		Compatible with both Krone and IDC termination tools	
10	EMRJ45C6WE		CAT 6, RJ45 data socket white
10	EMRJ45C6BL		CAT 6, RJ45 data socket black
10	EMRJ45C6BU		CAT 6, RJ45 data socket blue
10	EMRJ45C6GR		CAT 6, RJ45 data socket green
10	EMRJ45C6RD		CAT 6, RJ45 data socket red
10	EMRJ45C6YE		CAT 6, RJ45 data socket yellow

Pack	Cat No.	RJ45 data sockets CAT 5E	
		Compatible with both Krone and IDC termination tools	
10	ERJ45C5EWE		CAT 5E RJ45 data socket white
10	EMRJ45C5EBL		CAT 5E RJ45 data socket black
10	EMRJ45C5EBU		CAT 5E RJ45 data socket blue
10	EMRJ45C5EGR		CAT 5E RJ45 data socket green
10	EMRJ45C5ERD		CAT 5E RJ45 data socket red
10	EMRJ45C5EYE		CAT 5E RJ45 data socket yellow

Pack	White	Urban Grey	TV outlets	
10	EMFFFOXWE	EMFFFOXUG		F to F TV outlet 75 ohm 2.4 GHz (Foxtel approved)
10	EMFFWE	EMFFUG		F to F TV outlet 75 ohm
10	EMPFWE	EMPFUG		PAL to F TV outlet, white
10	EMSPWE	EMSPUG		PAL to saddle TV outlet white

Excel Life™
data, audio and video sockets



EMRCARDWE EC920HDMIWE EC920LJWE EC920VGAWWE EC510WE EC511WE EC524WE ED571WE

Pack	Cat No.	Data, audio and video		
		White	Urban Grey	
10	EMRCARDWE	EMRCARDUG		RCA outlet white F-type on rear red
10	EMRCAWWEWE	EMRCAWWEUG		RCA outlet white F-type on rear white
10	EMRCAYWEWE	EMRCAYWEUG		RCA outlet white F-type on rear yellow
10	ECUSBWE	-		USB type A female outlet
6	EC910J35WE	-		3.5mm female audio outlet
4	EC920-HDMIWE	-		HDMI socket rear pluggable
8	EC920LJWE	-		Loudspeaker outlet IP41, 6mm terminal capacity
10	EC920-MSVIDWE	-		S-Video outlet mini din
10	EC920-VGAWWE	-		VGA outlet female connection

Excel Life™
sensor lights and signalling

Pack	Cat No.	Sensor lights	
		White	
4	EC511WE		Skirting light with PIR sensor 1.3W max 230 - 240V a.c.
6	EC510WE		Permanent skirting light 230 - 240V a.c.
		Signalling	
6	EC520WE		Signal light white LED 1.0W max 230 - 240V a.c.
6	EC521WE		Signal light blue LED 1.0W max 230 - 240V a.c.
6	EC524WE		Signal light red/green LED 1.0W max 230 - 240V a.c.
4	EC570WE		Bulkhead light red LED 230 - 240V a.c.
4	EC571WE		Bulkhead light white LED 230 - 240V a.c.
4	EC572WE		Bulkhead light green LED 230-240V a.c.
4	EC573WE		Bulkhead light blue LED 230 - 240V a.c.

Excel Life™
hospitality and commercial



Pack	Cat No.	Hospitality and commercial	
	White		
4	EC915WE		Emergency stop push button 1/4 turn 3AX 230 - 240V a.c.
6	EC918WE		Electronic bell
10	EAKEYFOB		Key fob 230 - 240V a.c.
10	ECKFSWE		Common plate series electronic key fob switch with 30 second time delay 230 - 240V a.c.
10	EDKFSWE		Dedicated plate series electronic key fob switch with 30 second time delay 230 - 240V a.c.
6	EC924WE		Hotel corridor call indicator 6A, 230 - 240V a.c.
8	EC925WE		Hotel guest room call control 10AX (fluoro rated) 230 - 240V a.c.

Pack	Cat No.	Shutter, blind, curtain control	
8	EC919WE		Push button switch (via relay) 6A 230-240V a.c.
8	EC920WE		Push button switch (direct control) 6AX (fluoro rated) 230-240V a.c.

Excel Life™
grid and plate - dedicated plate and common plate series



Pack	Cat No.		Dedicated grid and plate	
	White	Urban Grey		
10	ED770/0GPLWE	ED770/0GPLUG		Blank grid and coverplate only
10	ED770/1GPLWE	ED770/1GPLUG		Dedicated plate 1 gang grid and coverplate only
10	ED770/2GPLWE	ED770/2GPLUG		Dedicated plate 2 gang grid and coverplate only
10	ED770/3GPLWE	ED770/3GPLUG		Dedicated plate 3 gang grid and coverplate only
10	ED770/4GPLWE	ED770/4GPLUG		Dedicated plate 4 gang grid and coverplate only
10	ED770/5GPLWE	ED770/5GPLUG		Dedicated plate 5 gang grid and coverplate only
10	ED770/6GPLWE	ED770/6GPLUG		Dedicated plate 6 gang grid and coverplate only

Pack	Cat No.	Common grid and plate	
10	EC770/0GPLWE		Common plate grid and cover only
10	EC770/1GPLWE		Common plate 1 gang grid and coverplate only
10	EC770/2GPLWE		Common plate 2 gang grid and coverplate only
10	EC770/3GPLWE		Common plate 3 gang grid and coverplate only
10	EC770/4GPLWE		Common plate 4 gang grid and coverplate only

Excel Life™
coverplates - common plate and secure series



Pack	Cat No.	Common grid and plate	
10	EC770/5GPLWE		Common plate 5 gang grid and coverplate only
10	EC770/6GPLWE		Common plate 6 gang grid and coverplate only
10	ECCWPLWE		Coverplate

Pack	Cat No.	Secure grid and plate	
10	ES770/0GPLWE		Grid and coverplate only
10	ES770/1GPLWE		1 gang grid and coverplate only
10	ES770/2GPLWE		2 gang grid and coverplate only
10	ES770/3GPLWE		3 gang grid and coverplate only
10	ES770/4GPLWE		4 gang grid and coverplate only
10	ES770/5GPLWE		5 gang grid and coverplate only
10	ES770/6GPLWE		6 gang grid and coverplate only

Excel Life™
coverplates - dedicated, common and secure series



ED770/4PLWE ED770/6PLWE ESCWPLWE ED920PLWE

Pack	Cat No.	Secure plate series coverplate
10	White ESCWPLWE	Coverplate

Pack	Dedicated plate series coverplates		Description
	White	Urban Grey	
10	ED770/1PLWE	ED770/1PLUG	Dedicated plate 1 gang coverplate
10	ED770/2PLWE	ED770/2PLUG	Dedicated plate 2 gang coverplate
10	ED770/3PLWE	ED770/3PLUG	Dedicated plate 3 gang coverplate
10	ED770/4PLWE	ED770/4PLUG	Dedicated plate 4 gang coverplate
10	ED770/5PLWE	ED770/5PLUG	Dedicated plate 5 gang coverplate
10	ED770/6PLWE	ED770/6PLUG	Dedicated plate 6 gang coverplate
10	ED920PLWE	ED920PLUG	Dedicated plate 920 coverplate white

Pack	Cat No.	Common plate series coverplate
10	White ECCWPLWE	Coverplate

Excel Life™
coverplates - dedicated series
matt silver



ED770/1PLMS ED777PLMS ED787PLMS

Pack	Cat No.	Dedicated plate series coverplates
10	Matt Silver ED770/1PLMS	1 gang coverplate matt silver
10	ED770/2PLMS	2 gang coverplate matt silver
10	ED770/3PLMS	3 gang coverplate matt silver
10	ED770/4PLMS	4 gang coverplate matt silver
10	ED770/5PLMS	5 gang coverplate matt silver
10	ED770/6PLMS	6 gang coverplate matt silver
10	ED777PLMS	Double powerpoint coverplate, matt silver
10	ED777XPLMS	Double powerpoint with extra function hole coverplate, matt silver
10	ED787PLMS	Single powerpoint coverplate matt silver
10	EDCWPLMS	75 x 57 window matt silver
10	ED920PLMS	45 x 45 window matt silver

Excel Life™
accessories

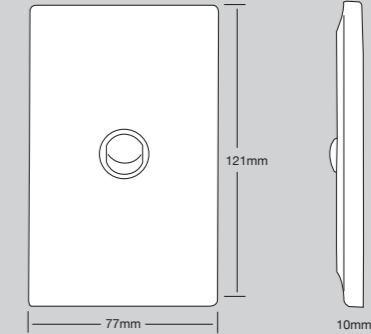


EMCCWE EMIDWE ECFRAME

Pack	Cat No.		Accessories
	White	Urban Grey	
10	ECFRAME	-	Common plate series frame
50	EAPP	-	Transparent paint and damage protection shell
1	EAPWDSCREW	-	Public works department 1-4 gang mechanism retention kit
10	EMCCWE	EMCCUG	Cord clamp
10	EMCLIDWE	EMCLIDUG	Blank with clear cap suits 800 module
10	EMIDWE	EMIDUG	Blank, suits 800 module

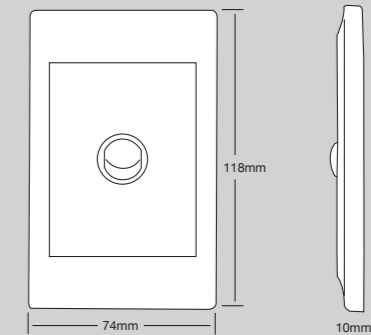
Excel Life™
plate sizes

Dedicated plate series installation dimensions

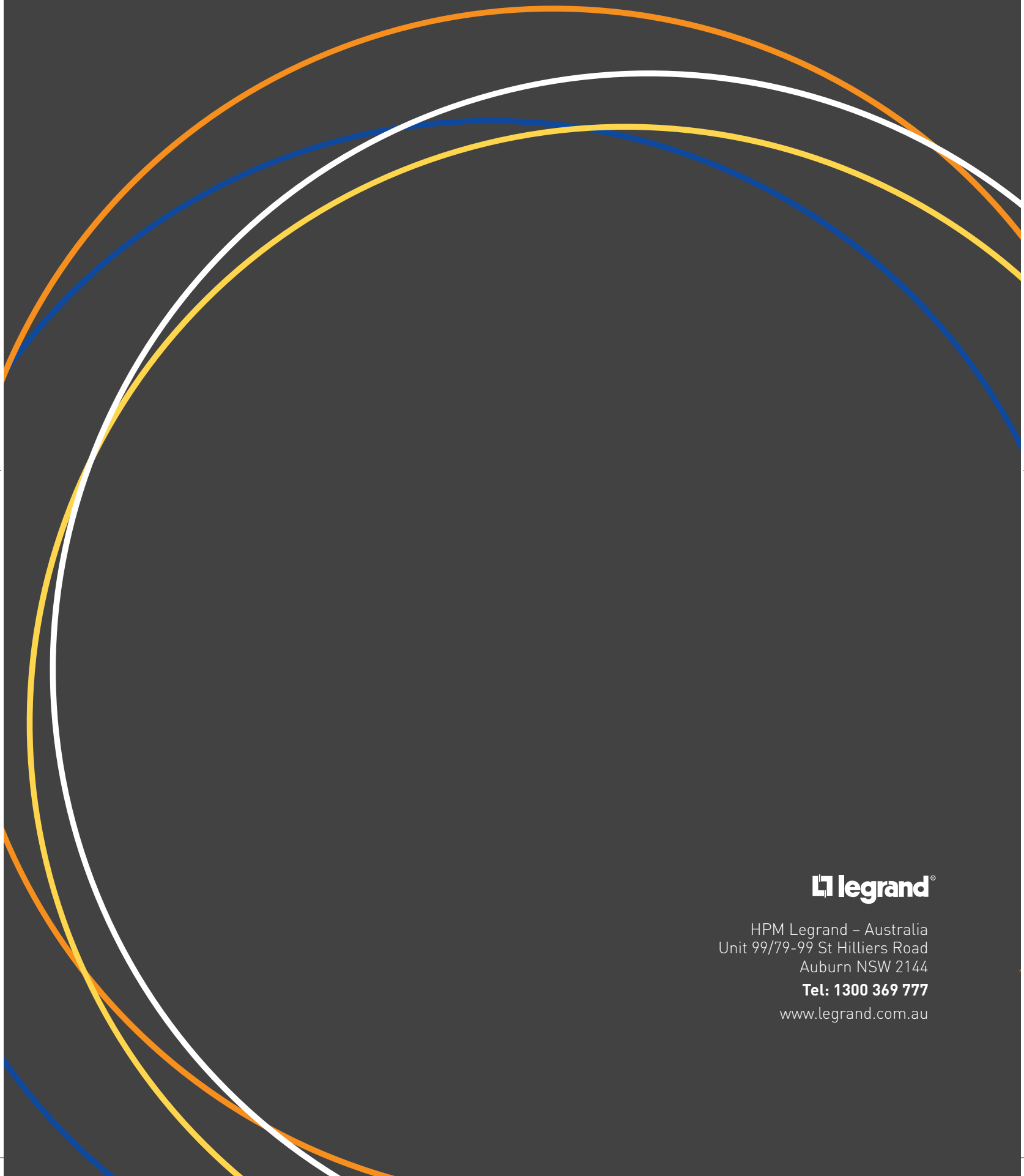


Glass and tile cut-out size

Common plate series installation dimensions



Glass and tile cut-out size



 **legrand**[®]

HPM Legrand – Australia
Unit 99/79-99 St Hilliers Road
Auburn NSW 2144

Tel: 1300 369 777

www.legrand.com.au