



Head Office
40 Biloela Street
Villawood NSW 2163
T +612 9723 3099
F +612 9724 1899

Victoria
46-48 Keys Road
Moorabbin VIC 3189
T +613 9532 3168
F +613 9532 1838

Queensland
13/258 Musgrave Road
Coopers Plains QLD 4108
T +617 3276 8897
F +617 3277 8817

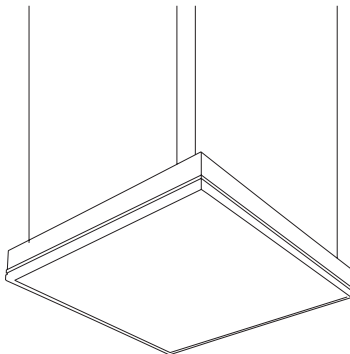
WA Agencies
Delta Lighting System
15 Hunt St. Malaga WA 6090
T +618 9249 4447
F +618 9249 2776



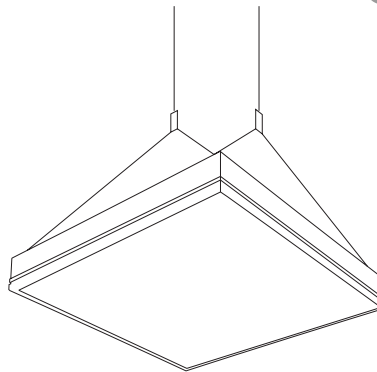
SSI1512 & SSY1512 SUSPENSION KIT



SUSPENSION TYPE



"I" suspension



"Y" suspension

FEATURES

- Suspension kit for panel light and troffer
- M10 size ceiling attachment
- Ø 1.2 mm stainless steel cable
- Carrying weight up to 40-50 kg
- M10 size griplock system

TECHNICAL SPECIFICATIONS

Model No.	Connection	Length	Suitable Products	QTY	Min Qty/ Fittings
SSI1512	"I"	1.8 m	S9714, S9709, SL3147	1pc	4pcs
SSY1512	"Y"	1.8 m	S9714, S9709, SL3147	1pc	2pcs