

Catalogue No: 2080-LC10-12DWD

M810 8DI 4AI CONFIG 4DO SOURCE 12V DC

Automation Systems > Micro Programmable Controllers and Smart Relays > Smart Relays > Allen-Bradley® Micro810® Controllers > Micro810® Controllers



Micro810 Controller, 8 Digital Input - 12V DC, 4 Analog Input, 4 Digital Output Relay, 12V DC Power Supply

- Flexible power supply options available (12V DC, 24V DC and 240V AC)
- 4A and 8A outputs eliminate the need for external relays
- Four inputs can be configured as 0-10V DC analogue inputs (DC Models only)
- Program download via USB programming port (2080-USB-ADAPTER required)
- Optional 1.5" local LCD for monitoring / modifying application data
- Optional LCD display also functions as a backup memory module
- Configure and run core smart relay function blocks without software (2080-LCD screen required)

Representative Photo Only
(actual product may vary based on configuration selections)

SPECIFICATIONS

Product Series	Micro810 (Bul. 2080-LC10)
Component Type PLC & I/O	Controller with onboard I/O
Unom, Supply Voltage, DC, Nom	12 V DC
Memory, Program	2 kB memory
Memory, Data	4 kB memory
Quantity, Total Input	8 qty
Quantity, Total Configurable I/O	4 qty
Type, Configurable I/O	DI / AI type
Type, Configurable Digital Input	12/24V AC/DC Snk/Src type
Type, Configurable Analogue Input	0-10V DC type
Quantity, Digital Input	4 qty
Type, Digital Input	12/24V DC Snk/Src type
Quantity, Total Output	4 qty
Quantity, Relay Output	4 qty
Type, Relay Output	NO 30V DC / 250V AC type
Number of Digital Inputs	4 qty
Digital Input Type	12/24V DC Sinking/Sourcing type
Number of Digital Outputs	4 qty
Digital Output Type	Relay type
Rated Current per Digital Output, Max	8 A max, per DO
Analogue Input Type(s)	Voltage: Single-Ended
Analogue Input Range(s)	0 ... 10V DC
Real Time Clock	Integrated
Display Type	Optional 1.5" Plug-in Display
Base Unit Plug-In Slots	None
Module Specific Functions	Relay Outputs 0 & 1 rated 8A @ 240V AC; Relay Outputs 2 & 3 rated 4A @ 240V AC
Operating Temperature, Max	65 °C max

Catalogue No: **2080-LC10-12DWD**

M810 8DI 4AI CONFIG 4DO SOURCE 12V DC

Automation Systems > Micro Programmable Controllers and Smart Relays > Smart Relays > Allen-Bradley® Micro810® Controllers > Micro810® Controllers

Operating Temperature, Min	-20 °C min
Storage Temperature, Max	85 °C max
Storage Temperature, Min	-40 °C min
Relative Humidity, Max	95 %RH
Humidity Type	Non-condensing
IP Rating	IP20
Shock Acceleration (Max.)	30 g
Vibration Acceleration (Max.)	2 m/s ²
Vibration Frequency, Operational (Max.)	500 Hz

REFERENCES

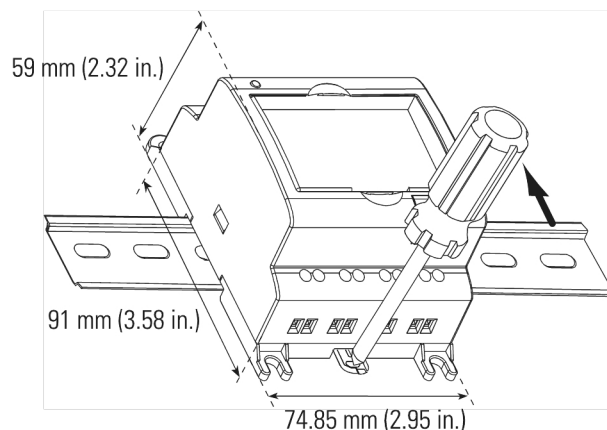
IECEX Certificate	-
Supplier Declaration of Conformity:	-
Installation Guide:	-
User Manual:	-
Manufacturer Datasheet:	2080LC1012DWD_ManufacturerDatasheet
Manufacturer Catalogue & Product Selection:	-

Mounting Dimensions

Mounting dimensions do not include mounting feet or DIN rail latches.

Micro810 Controllers

2080-LC10-12AWA, 2080-LC10-12QWB, 2080-LC10-12QBB,
2080-LC10-12DWD



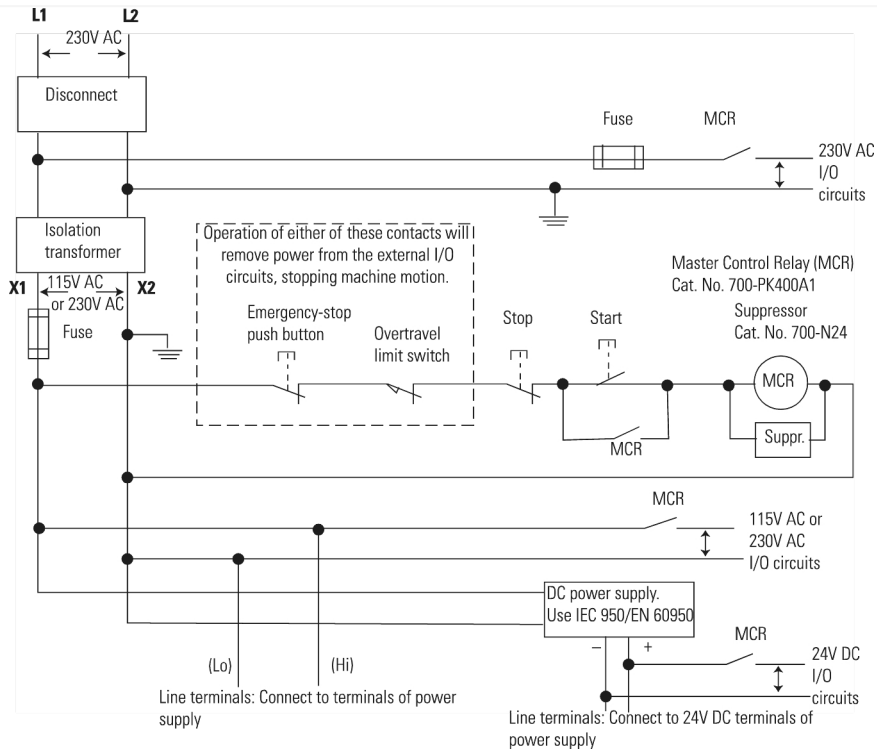
Dimension Diagram

45054

Catalogue No: 2080-LC10-12DWD

M810 8DI 4AI CONFIG 4DO SOURCE 12V DC

Automation Systems > Micro Programmable Controllers and Smart Relays > Smart Relays > Allen-Bradley® Micro810® Controllers > Micro810® Controllers



Connection / Wiring Diagram