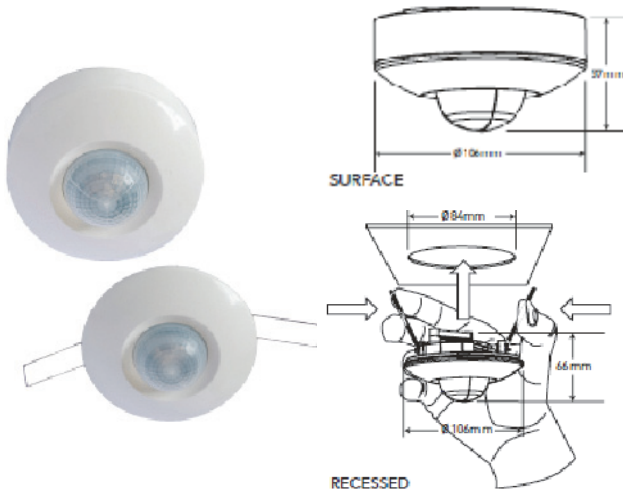
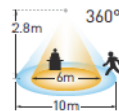


LIGHTING CONTROLS

UNIVERSAL360° SURFACE / RECESSED PASSIVE INFRA-RED SENSOR



RU360	
Diameter (mm):	106
Depth (mm):	Surface 57 Recessed 66
Cut out (mm):	84
Box Qty:	10
Weight (Kg):	0.24
IP:	20
Guarantee:	5
Detection Range at 2.5 to 3M	Occupancy - 6 Motion - 10
height (M):	
Time delay off:	10 s to 35m
Lux Setting (Lx):	10 to 2000
Contact Load (W):	Resistive - 2000 Fluorescent - 1000



This high quality sensor can be surface mounted or, by removing the base and terminal block, recessed to present a very neat solution. Combining passive infra-red and photocell technology it provides substantial energy savings by ensuring lighting comes on only when it is required and when natural light alone is not sufficient. Perhaps more importantly, it ensures lighting is switched off when the area is vacated.

It is suitable for switching inductive loads such as bathroom extractor fans as well as resistive or fluorescent lighting in all building types. A high quality sensing head and lens ensures that the smallest movements are detected but also provides extended detection distances for walking movement associated with corridors or circulation areas. It finds applications in:

- Commercial offices
- "Back of house" areas
- Storage areas
- Stairways
- Corridors
- Workshops
- Sheds
- Toilets
- Garages
- Kitchens
- Basements
- Apartment communal areas

FEATURES	BENEFITS
<ul style="list-style-type: none"> • Plug in terminal block and sensor module 	<ul style="list-style-type: none"> • Whether surface mounted with base or recessed using spring clips supplied, the connector can be first fix wired • Sensor Module simply and quickly plugs in later • No damage is caused to sensor module
<ul style="list-style-type: none"> • Large terminals accept 2 x 1.5mm² conductors in each terminal 	<ul style="list-style-type: none"> • Provides facility to loop in / loop out to parallel sensors or multiple fittings
<ul style="list-style-type: none"> • Adjustable time delay off ensures lighting is switched off when area is not occupied 	<ul style="list-style-type: none"> • Provides massive energy savings • Allows for quick set up walk test function • Prolongs lamp and ballast life when longer delay off times are set by ensuring they come up to temperature before being switched off
<ul style="list-style-type: none"> • Adjustable passive photocell 	<ul style="list-style-type: none"> • Inhibits switching where natural light is sufficient providing even greater savings
<ul style="list-style-type: none"> • Adjustable sensitivity 	<ul style="list-style-type: none"> • Provides reduced sensor coverage for small areas
<ul style="list-style-type: none"> • High contact rating 	<ul style="list-style-type: none"> • Allow numerous light fittings to be switched • Suitable for extractor fan loads
<ul style="list-style-type: none"> • High quality sensor head and lens ensures detection of occupancy and motion in respective areas 	<ul style="list-style-type: none"> • Ensures lighting is switched and remains on when needed • Suitable for detecting desk based or corridor type movement

PLEASE NOTE – INFORMATION CONTAINED IN THIS DOCUMENT IS SUBJECT TO CHANGE WITHOUT PRIOR NOTICE