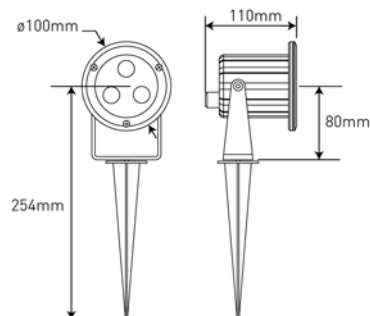


LED LIGHTING

3 x 1W '3W IN 1' GROUND LIGHT, WALL LIGHT OR SPIKE FITTING



R3IN13W	
Power (W):	3
Weight (Kg):	0.3
Box Qty:	1
IP:	65
Guarantee (Yrs):	5



This IP65 rated fitting utilises the latest energy efficient high power LED technology combined with very high quality materials to produce a multi-application product suitable for wall or spike mounting options indoor or outdoor. Used in domestic, commercial, retail, bars, restaurants, leisure and hotels; its applications include illumination for:

- Plants
- Paths
- Ponds and fountains
- Shrubs
- Walkways
- Entertainment venues
- Trees
- Decking
- Garden features
- Walls
- Statues
- Indoor or outdoor feature displays

FEATURES	BENEFITS
<ul style="list-style-type: none"> • 3 in 1 features • Wall bracket with predrilled hole • Garden Spike • Recessed Sleeve 	<ul style="list-style-type: none"> • One product can be used for various applications • Easy mounting and provides vertical adjustment • Allows rotation and vertical adjustment • Enables flush mounting for walk-over installation
<ul style="list-style-type: none"> • Single high powered 3W LED 	<ul style="list-style-type: none"> • Very energy efficient with low running costs • Warm colour light
<ul style="list-style-type: none"> • 50,000 hour average lamp life 	<ul style="list-style-type: none"> • Low maintenance costs • No lamp changes required over product lifetime
<ul style="list-style-type: none"> • Cool running • No UV 	<ul style="list-style-type: none"> • Will not burn, damage or fade leaves, flowers or sensitive displays
<ul style="list-style-type: none"> • Integral driver 	<ul style="list-style-type: none"> • No need for separate power supply
<ul style="list-style-type: none"> • Die-cast aluminium body • Toughened glass 	<ul style="list-style-type: none"> • Looks good • Strong, durable • Less susceptible to damage • Vandal resistant • Will not rust • Suitable for walk over applications
<ul style="list-style-type: none"> • IP 65 	<ul style="list-style-type: none"> • Suitable for internal & external applications
<ul style="list-style-type: none"> • 2 years guarantee 	<ul style="list-style-type: none"> • A quality energy efficient long life product • Fit and forget – peace of mind

PLEASE NOTE – INFORMATION CONTAINED IN THIS DOCUMENT IS SUBJECT TO CHANGE WITHOUT PRIOR NOTICE