



Main

Range of product	Modicon Quantum automation platform
Product or component type	Analogue input module
Type of filter	Single pole low pass - 3 dB at 15 Hz +/- 20 %

Complementary

Analogue input number	8
Input type	Differential
Addressing requirement	9 input words
Analogue input resolution	12 bits
Linear measuring range	1...5 V 4...20 mA
Absolute maximum input	25 mA 50 V DC 50 V DC
Input impedance	> 20 MOhm voltage 250 Ohm current +/- 0.01 %
Absolute accuracy error	+/- 0.05 % of full scale +/- 0.1 % of full scale maximum
Linearity error	+/- 0.04 %
Accuracy drift according to temperature	+/- 0.0025 % of full scale/°C <= 0.005 % of full scale/°C
Common mode rejection	> - 72 dB 60 Hz
Isolation between channels and bus	1000 V DC 3000 V DC for 60 s
Isolation between channels	30 V DC
Update time	5 ms
Fault type	Broken wire 4...20 mA Undervoltage range 1...5 V
Marking	CE
Local signalling	1 LED green bus communication is present (Active) 1 LED red external fault 8 LEDs green channel is turned on 8 LEDs red channel fault
Bus current requirement	240 mA
Power dissipation in W	2 W
Module format	Standard
Product weight	0.3 kg

Environment

standards	CSA C22.2 No 142 UL 508
product certifications	CUL FM Class 1 Division 2

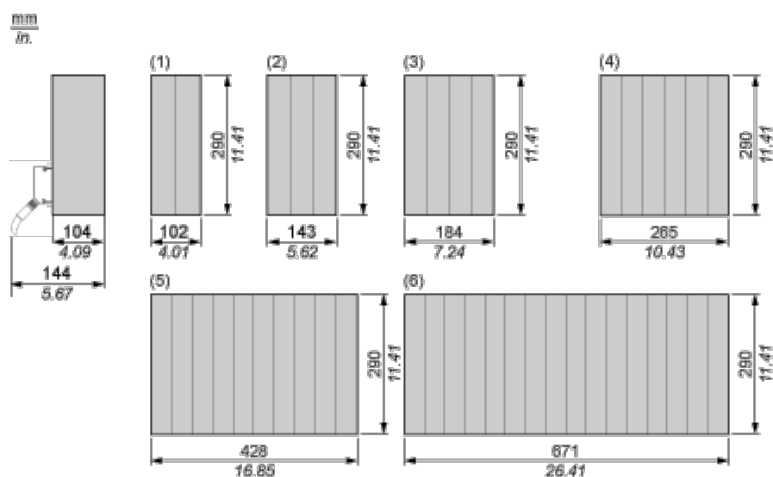
resistance to electrostatic discharge	4 kV contact conforming to IEC 801-2 4 kV contact conforming to IEC 801-2 8 kV on air conforming to IEC 801-2
resistance to electromagnetic fields	10 V/m 80...1000 MHz conforming to IEC 801-3
ambient air temperature for operation	0...60 °C
ambient air temperature for storage	-40...85 °C
relative humidity	95 % without condensation
operating altitude	<= 5000 m

Offer Sustainability

Sustainable offer status	Green Premium product
RoHS (date code: YYWW)	Compliant - since 0852 - Schneider Electric declaration of conformity
REACH	Reference not containing SVHC above the threshold
Product environmental profile	Available
Product end of life instructions	Available

Racks for Modules Mounting

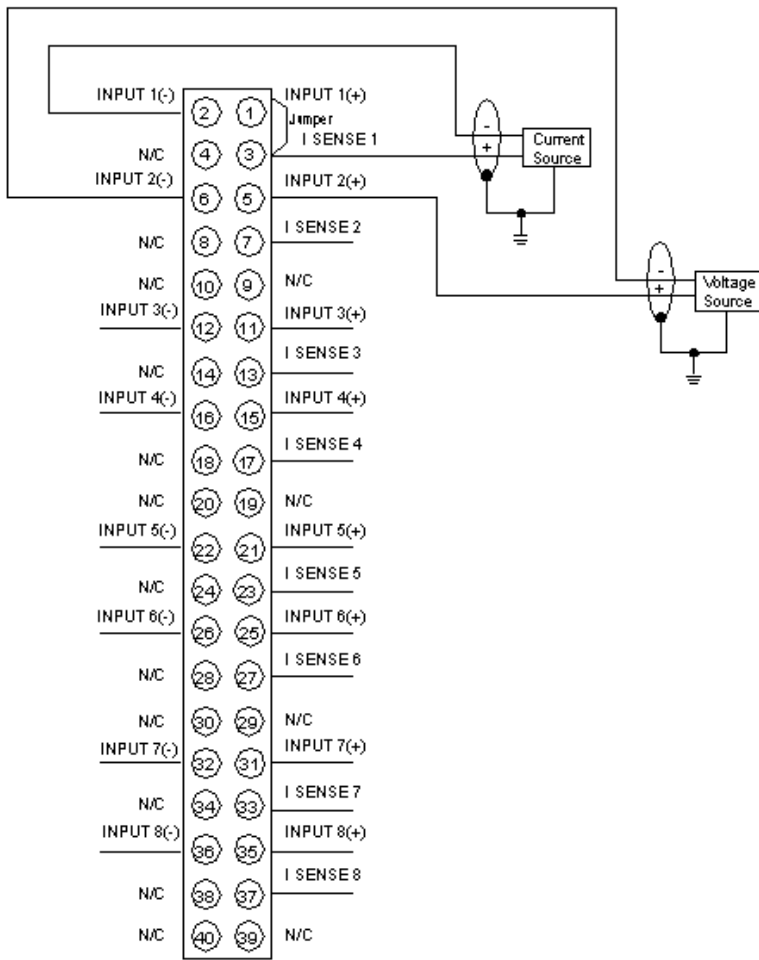
Dimensions of Modules and Racks



- (1) 2 slots
- (2) 3 slots
- (3) 4 slots
- (4) 6 slots
- (5) 10 slots
- (6) 16 slots

Analog Input 8-Channel Unipolar Module

Wiring Diagram



N/C Not Connected

The maximum channel to channel working voltage cannot exceed 30 Vdc.