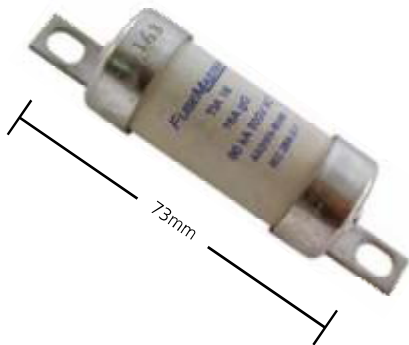


Bolt-In Offset Tag



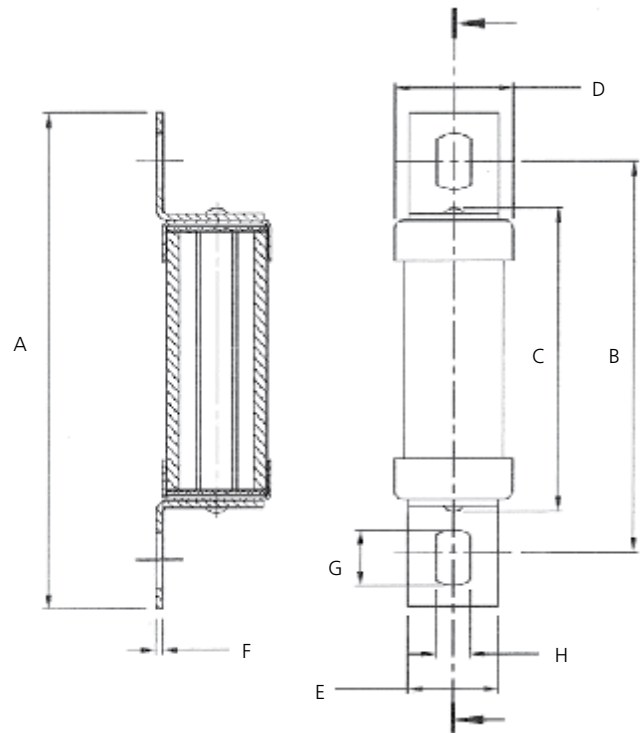
TIA
TIS



Type gG for cable and line protection
Type gM for motor protection

Standards: BS88: Part 6; IEC 60269-2

FUSECO PART NUMBER	AMP RATING	VOLTAGE RATING	UTILISATION CATEGORY	BREAKING CAPACITY AT RATED VOLTAGE
TIA2	2A	500V	gG	80 kA
TIA4	4A	500V	gG	80 kA
TIA6	6A	500V	gG	80 kA
TIA10	10A	500V	gG	80 kA
TIA16	16A	500V	gG	80 kA
TIA20	20A	500V	gG	80 kA
TIA25	25A	500V	gG	80 kA
TIA32	32A	500V	gG	80 kA
TIA32M40	32M40A	415V	gM	80 kA
TIA32M50	32M50A	415V	gM	80 kA
TIA32M63	32M63A	415V	gM	80 kA
TIS35	35A	500V	gG	80 kA
TIS40	40A	500V	gG	80 kA
TIS50	50A	500V	gG	80 kA
TIS63	63A	500V	gG	80 kA
TIS80	80A	415V	gG	80 kA
TIS100	100A	415V	gG	80 kA
TIS63M80	63M80A	415V	gM	80 kA
TIS63M100	63M100A	415V	gM	80 kA
TIS100M125	100M125A	415V	gM	80 kA



Dimensions

	CATEGORY	BRAND	A	B	C	D	E	F	G	H
			Overall Length	Fixing Centre	Body Length	Body Diameter	Tag Width	Tag Thickness	Hole Length	Hole Width
TIA2-32	A2	FuseMaster	84.5	73.0	55.0	21.5	8.7	1.2	8.0	5.5
TIA32M	A2	Lawson	86.0	73.0	49.0	22.0	9.0	1.2	8.0	5.5
TIS35-63	A3	FuseMaster	88.5	73.0	56.0	21.5	-	1.2	-	5.5
TIS80-100	A3	Lawson	89.0	73.0	49.0	26.0	13.0	1.2	-	5.5
TIS63M	A3	Lawson	89.0	73.0	49.0	26.0	13.0	1.2	-	5.5
TIS100M	A3	Lawson	89.0	73.0	49.0	26.0	13.0	1.2	-	5.5