

Data Sheet

Recessed Wall Box

CAT NO. 429R



Specifications	
Cat. No.	429R
Description	Recessed wall box
Material	Black polypropylene
Dimensions (WxHxD)	98 x 62 x 45mm
Cut-out size	102 x 62mm

Recessed Wall Box

CAT NO. 429R

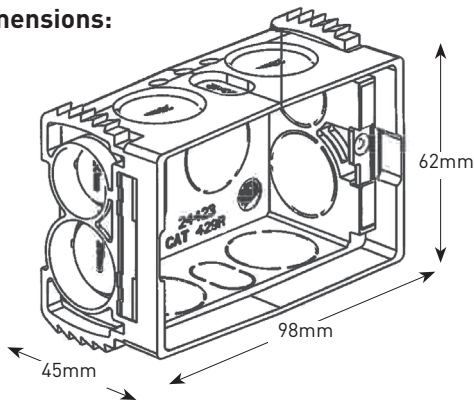


Single product		
Cat No	Dimensions (WxHxD)	Barcode
429R	62 x 98 x 45mm	9321001392521

Inner box (Qty 10)		
Cat No	Dimensions (WxHxD)	Barcode
429R	200 x 100 x 170mm	9321001392538

- Recess in the wall to accommodate flush installation of low and regular profile products (e.g Excel Life, Arteor, Excel, Standard ranges)
- Suits all standard mounting wiring devices e.g. switches and powerpoints
- Sliding nuts in the box allow for product alignment
- Made from robust material
- Side and back knock outs for cable and conduit entry (20 and 25mm)
- Supplied with render protection shell
- Wall cut-out size = 62 x 102 mm

Dimensions:



Legrand - Australia
1300 369 777
www.legrand.com.au
ABN 31 000 102 661

HPM Legrand - New Zealand
0800 476 009
www.legrand.co.nz

Refer to your group buying office, Legrand Sales Representative or Legrand Sales Office for pricing.

Please note: specifications are subject to change without prior notice.