

Data Sheet



Excel Life™

Switch Mechanism, Secondary Control Push Button

CAT NO. **EM800SLAVEWE, EM800SLAVEUG, EM800SLAVEBL**



Cat No.	EM800SLAVEWE, EM800SLAVEUG, EM800SLAVEBL
Description	Excel Life Switch Mechanism, Secondary Control Push Button
Supply voltage	230 - 240V a.c.
Colour	White (WE), Urban Grey (UG), Black (BL)
Dimensions (W x H x D)	21 x 21 x 35mm

Excel Life™ Switch Mechanism, Secondary Control Push Button



CAT NO. **EM800SLAVEWE, EM800SLAVEUG, EM800SLAVEBL**

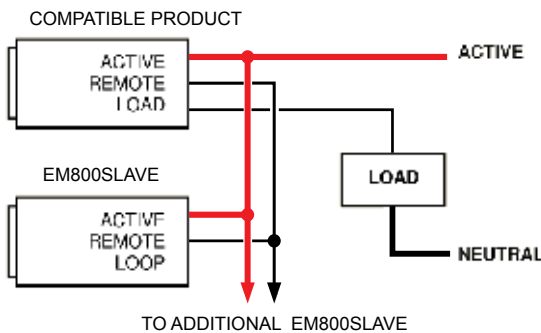


- Soft touch operation
- Mimics the master switch functions (eg. dim or switch)

Single product	
Cat No.	Barcode
EM800SLAVEWE	9321001400196
EM800SLAVEUG	9321001411390
EM800SLAVEBL	9321001452621

Inner box (QTY 10)		
Cat No.	Barcode	Dimensions (W x H x D)
EM800SLAVEWE	9321001402633	124 x 160 x 80mm
EM800SLAVEUG	9321001412052	124 x 160 x 80mm
EM800SLAVEBL	9321001453321	124 x 160 x 80mm

Outer box (QTY 120)		
Cat No.	Barcode	Dimensions (W x H x D)
EM800SLAVEWE	9321001405078	260 x 340 x 260mm
EM800SLAVEUG	9321001412717	260 x 340 x 260mm
EM800SLAVEBL	9321001454045	260 x 340 x 260mm



HPM Legrand - AUS
1300 369 777
www.legrand.com.au
ABN 31 000 102 661

HPM Legrand - NZ
0800 476 009
www.legrand.co.nz

Refer to your group buying office, HPM Legrand Sales Representative or HPM Legrand Sales Office for pricing.

HPML0638

02/2016