

# Catalogue No: **CPT-PSC1-12-230IR**

**SPD PSC TYPE 1+2 1PH L-N Iimp 12.5kA I<sub>max</sub> 65kA 240V AC**

Power Distribution and Protection > Switchboard Monitoring > Surge Protection > Cirprotec Electrical Network Surge Diverters > IEC Type 1+2 > PSC Surge Diverters



## Surge Protection Device L-N I impulse 12.5kA

- PSC is the range of combined devices for discharging lightning currents (Type 1 / Class I), and protecting against induced transient overvoltages (Type 2 / Class II), in accordance with IEC 61643-11
- DIN rail plug-in format
- Suitable as the first step of protection in incoming power supply panels and areas with greater exposure to the atmosphere, where installations are usually provided with an external lightning protection system
- Discharges impulse currents with a 10/350  $\mu$ s waveform. I<sub>imp</sub>: 25 kA, 12.5 kA per phase
- Remote and visual indication of protection device life status
- Reversible chassis to allow cable entry from above or below. Mechanically polarised cartridges depending on the network voltage, to avoid possible cartridge replacement errors
- Biconnect - two types of terminal: for rigid or flexible cable and for fork type comb busbar

Representative Photo Only  
(actual product may vary based on configuration selections)

### SPECIFICATIONS

Product Series	PSC
Component Type Surge Protection	Electrical Network Diverter
Poles	1P + N
Number of DIN Modules	1
Un, Nominal Voltage, AC, L-N/PE	230 V AC
Uc, Continuous Operating Voltage, AC, Max	275 V AC
I <sub>imp</sub> , Current, Impulse Withstand	12.5 kA
In, Discharge Current, (8/20) L-N, Nom	20 kA
I <sub>max</sub> , Discharge Current, (8/20) L-N, Max	65 kA
I <sub>imp</sub> , Current, Lightning Impulse, (10/350) L-N	12.5 kA
I <sub>cc</sub> , Current, Short Circuit Withstand	25 kA
Recommended Fuse Current Rating	125 A
Fuse Characteristic Type(s)	gL/gG
Protection Classification Standard	IEC 61643-1 EN 61643-11
Up, Voltage Protection Level	1.3 kV @In
Rated Frequency	50 / 60 Hz
Connection Mode	Parallel
Protection Modes	L-N modes
Protection class	1 + 2
Replaceable Modules	Yes Y/N
Visual Indication	Yes Y/N
Indicator Type	Red / Green Flag
Remote Monitoring	Yes Y/N
Monitoring Contact Configuration	1 CO Contact
Mounting	DIN-35 Rail Mount
Wire / Conductor Size, Flex Cable, Min	6 mm <sup>2</sup> min

# Catalogue No: **CPT-PSC1-12-230IR**

**SPD PSC TYPE 1+2 1PH L-N limp 12.5kA I<sub>max</sub> 65kA 240V AC**

Power Distribution and Protection > Switchboard Monitoring > Surge Protection > Cirprotec Electrical Network Surge Diverters > IEC Type 1+2 > PSC Surge Diverters

**NHP**

Wire / Conductor Size, Flex Cable, Max	25 mm <sup>2</sup> max
Wire / Conductor Size, Rigid Cable, Min	6 mm <sup>2</sup> min
Wire / Conductor Size, Rigid Cable, Max	35 mm <sup>2</sup> max
Dynamic Thermal Disconnection	Yes
Colour, Body / Housing	Light Grey colour
IP Rating	IP20
tA, Response time (L-N)	25 ns
Tightening Torque, Nominal	4 Nm
Height	90 mm
Width	18 mm
Depth	76 mm
Weight	0.178 kg
Operating Temperature, Min	-40 °C min
Operating Temperature, Max	80 °C max
Certifications	CE

## REFERENCES

IECEX Certificate

-

Supplier Declaration of Conformity:

-

Installation Guide:

[CPTPSC112230IR\\_Installation Instructions](#)

User Manual:

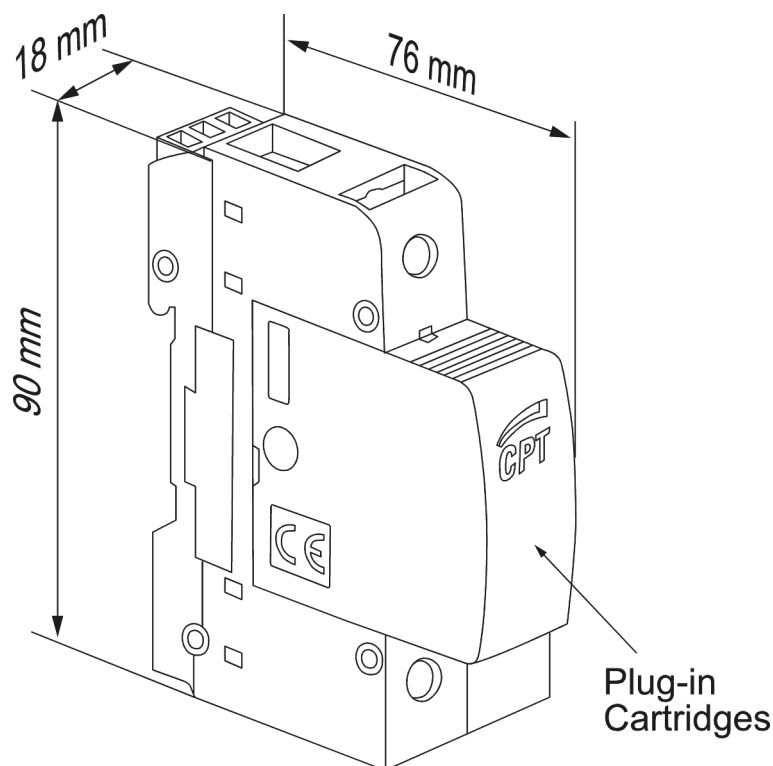
-

Manufacturer Datasheet:

[CPTPSC112230IR\\_Manufacturer Datasheet](#)

Manufacturer Catalogue & Product Selection:

[CPTPSC112230IR\\_Manufacturer Product Selection Guide](#)



Dimension Diagram

# Catalogue No: **CPT-PSC1-12-230IR**

SPD PSC TYPE 1+2 1PH L-N Iimp 12.5kA Imax 65kA 240V AC

Power Distribution and Protection > Switchboard Monitoring > Surge Protection > Cirprotec Electrical Network Surge Diverters > IEC Type 1+2 > PSC Surge Diverters

