

Spec Sheet: IPD S7 Fuse Fittings

- Self cleaning, self aligning base contacts
- 100A in 2a and 2B fuse dimensions
- Front and rear wire versions in black or clear
- NSW intrusion barrier sealable versions
- Made from flame retardant thermoplastic



Standards

Australian Standard AS60269

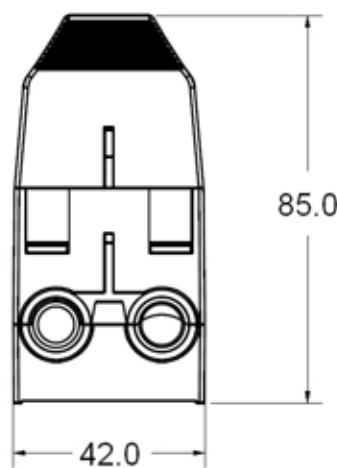
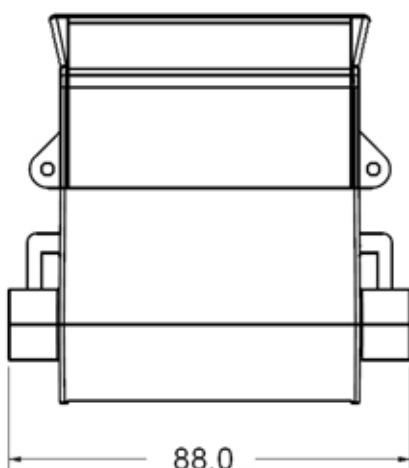
Range

Rated current (Ie)	100A
Rated voltage (Ue)	500V
Rated peak withstand current	33kA
Rated impulse withstand voltage (Uimp)	8kV
Screw mounting size (all)	M5
Weight 1P (Front wire)	0.3kg
Max Cable Size (front / rear)	50mm ²
Maximum tightening torque (front)	3-4Nm
Fuse type available	2a / 2b

Rated Current (A)	Type of Connection	Colour	Pack Quantity	Catalogue Number
100A	100A back wire 2a fuse	Black	10	S71002ABWS
	100A front wire 2a fuse			S71002AFWS
125A	125A back wire off load disconnecter including M5 nylon mounting screw	Clear		S7125BWQ
	125A front wire off load disconnecter including M5 nylon mounting screw			S7125FWQ
100A	100A back wire 2b fuse	Black		S71002BBW
	100A back wire 2B fuse, socket screws			S71002BBWX
	100A front wire 2b fuse	Clear		S71002BFW
	100A front wire 2b fuse			S7CLR2BFW
	100A back wire 2b fuse + barrier	Black		S71002BBWAI
	100A front wire 2b fuse + barrier			S71002BFWAI
	100A back wire 2b fuse + barrier	Clear	S7CLR2BBWAI	
	100A front wire 2b fuse + barrier		S7CLR2BFWAI	

Dimensions

Front and Back Wire Models



Back Wire Drilling

