

Application Note

Using the C-Bus 30 Mechanism Switch with the Saturn™ 4000 Series Grid Plate and Cover

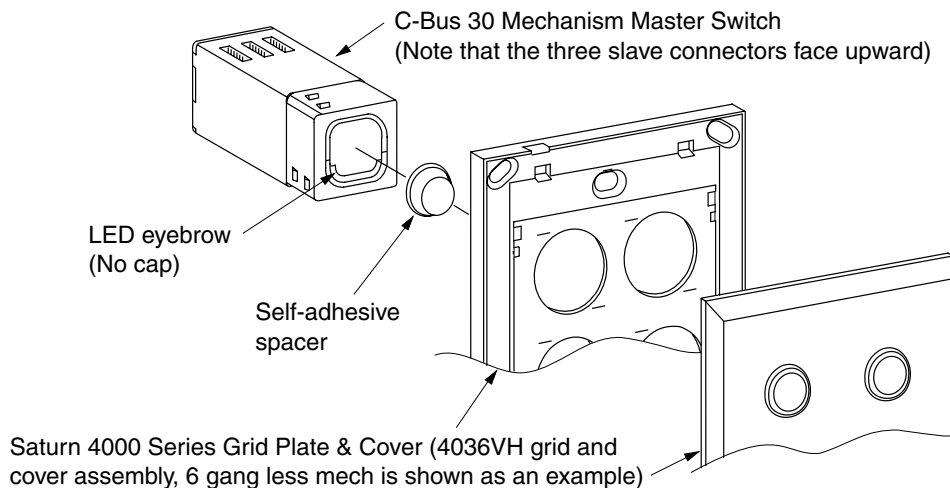
This application note tells you how to install C-Bus 30 Mechanism Master and Slave Switches in a Saturn 4000 Series Grid Plate and Cover. By using self-adhesive, round polyurethane spacers you can quickly mate the assemblies together. When you press the Saturn Cover Switch, the spacer passes the action on to the front of the C-Bus 30 Mechanism Switch. Using this method, you do not use the switch cap or labels that are supplied with the C-Bus 30 Mechanism Switch. This method is not suitable for the 30 Mechanism Switches that have an IR window. The LED in the 30 Mechanism Switch is visible. The switch must be installed so that the LED eyebrow is at the lower edge of the switch. This application method allows you to install the 30 Mechanism in a variety of Saturn Grid Plates, including architrave designs. Regulations do not allow you to install C-Bus 30 Mechanism Switches and 240V devices in the same grid plate.

Installing the Spacer on the 30 Mechanism Switch

You can purchase the spacers from Clipsal (catalogue number **5031NMSPACER**). The self-adhesive, polyurethane spacers are 12.7mm in diameter and 3.5mm thick. The spacers are sold in sheets of 60 pieces. Make sure the front of the switch is clean and dry before installing the spacer. Then, peel the spacer from the backing sheet and place the adhesive side in the EXACT CENTRE of the switch button. When the spacer is in the correct position, apply pressure to seat the spacer.

Installing the 30 Mechanism Switch in the Grid Plate

After you place a spacer on each of the switches to be installed in the grid plate, insert the master switch mechanism with the three slave connectors facing upward (as shown in the drawing). Install slave switch mechanisms with the ribbon cable at the bottom. Make all C-Bus connections and then install the completed grid plate in the wall box or mounting plate. Make sure that the cover buttons work correctly. For additional information, refer to the C-Bus 30 Mechanism Installation Instructions.



Technical Support email: cis.support@clipsal.com.au

Clipsal and C-Bus are registered trademarks, and Saturn is a trademark of Schneider Electric (Australia) Pty Ltd. All other trademarks are the property of their respective owners.

Clipsal reserves the right to change specifications, modify designs and discontinue items without incurring obligation. Clipsal makes every effort to ensure that the information in this application note is correct, but no warranty is given in respect thereof and the company shall not be liable for any error herein.

Schneider Electric (Australia) Pty Ltd

Contact us: clipsal.com/feedback

National Customer Care Enquiries:

Tel 1300 2025 25 Fax 1300 2025 56

clipsal.com

Schneider Electric (Australia) Pty Ltd reserves the right to change specifications, modify designs and discontinue items without incurring obligation and whilst every effort is made to ensure that descriptions, specifications and other information in this catalogue are correct, no warranty is given in respect thereof and the company shall not be liable for any error therein.

© 2012 Schneider Electric. All Rights Reserved.

Trademarks are owned by Schneider Electric Industries SAS or its affiliated companies.

CLIPCOM 25069 July 2012