

# Non-metallic accessories

LOCKNUTS, CONDUIT CLIPS, THREAD CONVERTORS, END CAPS, SEALING WASHERS, END SLEEVES & REMOVAL TOOL

## PRODUCT CHARACTERISTICS

Type  
Description  
Materials  
Example

### TYPE LNP

NYLON LOCKNUTS

Polyamide (Nylon) 6  
Colour Black (BL) & Grey (GR).



METRIC THREAD	PART NUMBER BLACK	PART NUMBER GREY	PG THREAD	PART NUMBER BLACK	PART NUMBER GREY
M12	LNPB/M12	-	PG7	LNPB/PG7	LNPG/PG7
M16	LNPB/M16	LNPG/M16	PG9	LNPB/PG9	LNPG/PG9
M20	LNPB/M20	LNPG/M20	PG11	LNPB/PG11	LNPG/PG11
M25	LNPB/M25	LNPG/M25	PG13	LNPB/PG13	LNPG/PG13
M32	LNPB/M32	LNPG/M32	PG16	LNPB/PG16	LNPG/PG16
M40	LNPB/M40	LNPG/M40	PG21	LNPB/PG21	LNPG/PG21
M50	LNPB/M50	LNPG/M50	PG29	LNPB/PG29	LNPG/PG29
M63	LNPB/M63	LNPG/M63	PG36	LNPB/PG36	LNPG/PG36
			PG42	LNPB/PG42	LNPG/PG42
			PG48	LNPB/PG48	LNPG/PG48

For metallic locknuts please refer to page

### TYPE SW

THREAD SEALING WASHER - CAPTIVE

Rubber - For use with Nylon threaded fittings  
Colour Black (BL), Yellow (Y) & Blue (B).  
Nylon - For use with swivel metal threaded fittings  
Colour Black (BL), Yellow (Y) & Blue (B).



TO FIT THREAD (METRIC)	PART NUMBER	TO FIT THREAD (NPT & PF)	PART NUMBER (BLACK ONLY)
M12	SWM12	3/8"	SW038
M16	SWM16	1/2"	SW050
M20	SWM20	3/4"	SW075
M25	SWM25	1"	SW100
M32	SWM32	1 1/4"	SW125
M40	SWM40	1 1/2"	SW150
M50	SWM50	2"	SW200
M63	SWM63		

To order add suffix to part no.  
i.e. Rubber Yellow - SWM12Y  
i.e. Nylon Blue - SWM20NB

### TYPE AC

CONDUIT CLIPS with integral lid.

Polyamide (Nylon) 66  
Impact Modified Nylon - only ST version **NEW**  
Colour Black (BL) & Grey (GR).



NOMINAL CONDUIT SIZE (mm)	PART NUMBER BLACK	PART NUMBER GREY	PART NUMBER BLACK
10	ACB10	ACG10	-
13	ACB13	ACG13	ACB13/ST
16	ACB16	ACG16	ACB16/ST
21	ACB21	ACG21	ACB21/ST
28	ACB28	ACG28	ACB28/ST
34	ACB34	ACG34	ACB34/ST
42	ACB42	ACG42	ACB42/ST
48	ACB48	ACG48	ACB48/ST
54	ACB54	ACG54	ACB54/ST

Type  
Description  
Materials  
Example

### TYPE TC/R

NYLON THREAD CONVERTORS/REDUCERS  
First thread in Part No. is always the male.

Polyamide (Nylon) 6  
Colour Black (BL) only.



EXTERNAL THREAD	M16 INTERNAL THREAD	M20 INTERNAL THREAD	M25 INTERNAL THREAD
M20	P/M20-M16/R	-	-
M25	-	-	-
PG9	P/PG9-M16/TC	-	-
PG11	P/PG11-M16/TC	-	-
PG13	P/PG13-M16/TC	-	-
PG16	P/PG16-M16/TC	-	-
PG21	-	-	P/PG21-M25/TC

A range of Brass thread converters are also available on request

### TYPE GZ

END SLEEVES  
For sealing cables to non-metallic conduit

Rubber  
Colour Black (BL) only.



NOMINAL CONDUIT SIZE (mm)	PART NUMBER
13	GZ9
16	GZ11
21	GZ13
28	GZ21
34	GZ29
42	GZ36

### TYPE EC

END CAPS  
Provide a smooth finish to prevent any damage to cable when not terminated with a fitting.

Acetal (POM)  
Colour Black (BL) only.



NOMINAL CONDUIT SIZE (mm)	PART NUMBER
13	ECB13
16	ECB16
21	ECB21
28	ECB28
34	ECB34
42	ECB42
48	ECB48
54	ECB54

### TYPE RT

ADAPTALOK REMOVAL TOOL  
To Provide easy removal of Adaptalok Fittings

Polyamide (Nylon) 6  
Colour Black (BL) only.



ADAPTALOK FITTING SIZE (mm)	PART NUMBER
13	AL13RT
16	AL16RT
21	AL21RT
28	AL28RT
34	AL34RT
42	AL42RT
48	AL48RT
54	AL54RT

# Non-metallic accessories **NEW**

## FASTLOK ADAPTERS & MANIFOLD BOXES - TYPE FK & TYPE MB

To order quote part no & colour - e.g. FK20/BL

### PRODUCT CHARACTERISTICS

Type

## TYPE FK - FASTLOK ADAPTER **NEW**

Description

### STRAIGHT FITTING

Quick fit, front of panel mounting adapter, into which can be screwed any metric threaded product.

Materials

Polyamide (Nylon) 66  
Colour Black (BL) & Grey (GR).

Example



HOLE DIAMETER FOR FASTLOK (mm)

HOLE DIAMETER FOR FASTLOK (mm)	TO SUIT METRIC THREAD	PART NUMBER	TO SUIT METRIC THREAD - WITHOUT SEALS
20.5	M20	FK20/	FK20/BL
25.5	M25	FK25/	FK25/BL
40.5	M40	FK40/	FK40/BL

Fastlok adapters use seals to provide an ingress protection level of IP66, 67, 68 and 69k. They are a superior alternative to 'Push-in' type fittings, they provide better protection and are simpler to install and remove. Fastlok provides minimum intrusion into the enclosure space

Panel Thickness

Can be installed into 3.5mm Panel (max)

IP Rating with appropriate fitting

- IP66 Yes
- IP67 Yes
- IP68 Yes (4 bar 30 mins)
- IP69k Yes

Temperature Range

Static Applications: -50 °C to +120 °C  
Moving Applications: -45 °C to +120 °C

Fitting Characteristics

Approvals Pending



Type

## TYPE MB - MANIFOLD BOXES **NEW**

Description

### MULTIWAY ADAPTERS

Non metallic enclosure which can be machined to take up to eight Adaptalok ATS™ fittings (or other devices) in a variety of configurations and sizes. Eg. 'Y', 'T', 'X', 'V' etc. Each box has a removable cover for ease of access. The box seal is moulded, so remains captive for ease of installation.

Materials

Polyamide (Nylon) 66 / TPE  
Box Colour Black (BL) & Grey (GR).  
Elastomer Colour Yellow (Y), Blue (B)

Example



BOX TYPE

EXTERNAL DIMENSIONS - LID (MM) DIA X HEIGHT

EXTERNAL DIMENSIONS FIXING LUGS (MM)

MAX THREADED ENTRY PER FACE

PART NUMBER

1	100 x 40	120	M20	MB21/
2	136 x 55	155	M32	MB34/
3	200 x 80	220	M54	MB54/

Each manifold is provided with eight blank sides which require drilling/machining to suit the application. Manifolds can be supplied ready drilled to order subject to minimum order quantities. Threaded fittings with locknuts of Fastlok adapters can be used in each entry.

IP Rating with appropriate fitting

- IP66 Yes
- IP67 Yes
- IP68 Yes (2 bar 30 mins)
- IP69k Yes

Temperature Range

Static Applications: -50 °C to +120 °C  
Moving Applications: -45 °C to +120 °C

Fire Performance



Approvals Pending



UV Resistance

Very High

# Non-metallic accessories **NEW**

## FASTLOK ADAPTERS & MANIFOLD BOXES ASSEMBLY & CONFIGURATIONS

### FASTLOK ASSEMBLY

1. Drill hole into enclosure
2. Insert Fastlok into the hole
3. Tighten left -hand thread to secure to enclosure
4. Screw fitting into Fastlok

Exploded view of Fastlok, Enclosure  
& Fitting Assembly



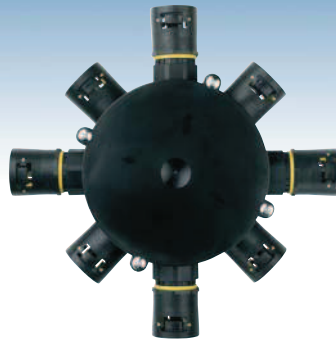
Fastlok fits quickly and is secured easily without  
the need for any additional tools



Minimum intrusion into enclosure



### MANIFOLD BOXES - EXAMPLE CONFIGURATIONS



# Non-metallic accessories

## HINGED 'T' & 'Y' PIECES

### PRODUCT CHARACTERISTICS

Type  
Description

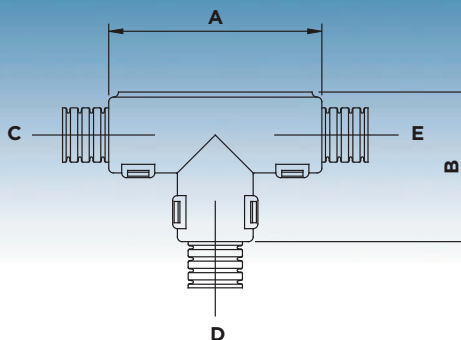
**TYPE 'T'**  
HINGED 'T' PIECE

Materials  
Polyamide (Nylon) 66  
Colour Black (BL) only.

Example



EXTERNAL 'T' PIECE DIMENSIONS



PART NUMBER	NOMINAL DIMENSIONS (mm)	NOMINAL DIMENSIONS (mm)	NOMINAL CONDUIT SIZE	NOMINAL CONDUIT SIZE	NOMINAL CONDUIT SIZE	NOMINAL WEIGHT (g)	PART NUMBER	NOMINAL DIMENSIONS (mm)	NOMINAL DIMENSIONS (mm)	NOMINAL CONDUIT SIZE	NOMINAL CONDUIT SIZE	NOMINAL CONDUIT SIZE	NOMINAL WEIGHT (g)
	A	B	C	D	E	(gms)		A	B	C	D	E	(gms)
T101010/BL	45.2	31.1	10	10	10	4.5g	T211321/BL	56.5	41.0	21	13	21	8.8g
T101310/BL	45.2	31.1	10	13	10	4.5g	T211613/BL	56.5	41.0	21	16	13	8.4g
T101613/BL	45.2	31.1	10	16	13	5.0g	T211616/BL	56.5	41.0	21	16	16	8.7g
T111111/BL	45.2	31.1	11	11	11	5.1g	T211621/BL	56.5	41.0	21	16	21	8.8g
T111113/BL	45.2	31.1	11	11	13	4.9g	T212113/BL	56.5	41.0	21	21	13	8.6g
T131010/BL	45.2	31.1	13	10	10	4.5g	T212116/BL	56.5	41.0	21	21	16	8.9g
T131013/BL	45.2	31.1	13	10	13	4.5g	T212121/BL	56.5	41.0	21	21	21	9.1g
T131111/BL	45.2	31.1	13	11	11	4.9g	T251025/BL	64.5	48.5	25	10	25	13.0g
T131113/BL	45.2	31.1	13	11	13	4.5g	T251125/BL	64.5	48.5	25	11	25	13.3g
T131310/BL	45.2	31.1	13	13	10	4.5g	T251321/BL	64.5	48.5	25	13	21	13.3g
T131311/BL	45.2	31.1	13	13	11	4.9g	T251325/BL	64.5	48.5	25	13	25	13.8g
T131313/BL	45.2	31.1	13	13	13	4.5g	T251821/BL	64.5	48.5	25	16	21	13.4g
T131613/BL	45.2	31.1	13	16	13	5.0g	T251825/BL	64.5	48.5	25	16	25	13.9g
T161013/BL	49.1	34.8	16	10	13	6.0g	T252121/BL	64.5	48.6	25	21	21	14.0g
T161113/BL	49.1	34.8	16	11	13	5.8g	T252125/BL	64.5	48.5	25	21	25	14.5g
T161116/BL	49.1	34.8	16	11	16	6.0g	T252521/BL	64.5	48.6	25	25	21	14.5g
T161313/BL	49.1	34.8	16	13	13	5.7g	T252525/BL	64.5	48.6	25	25	25	15.0g
T161316/BL	49.1	34.8	16	13	16	5.9g	T281021/BL	64.5	48.5	28	10	21	13.2g
T161613/BL	49.1	34.8	16	16	13	5.9g	T281028/BL	64.5	48.6	28	10	28	13.5g
T161616/BL	49.1	34.8	16	16	16	6.2g	T281121/BL	64.5	48.5	28	11	21	13.3g
T162113/BL	49.1	34.8	16	21	13	6.3g	T281128/BL	64.5	48.6	28	11	28	13.8g
T162116/BL	49.1	34.8	16	21	16	6.5g	T281321/BL	64.5	48.6	28	13	21	13.2g
T211016/BL	56.5	41.0	21	10	16	8.5g	T281325/BL	64.5	48.6	28	13	25	13.6g
T211021/BL	56.5	41.0	21	10	21	8.5g	T281328/BL	64.5	48.6	28	13	28	13.5g
T211116/BL	56.5	41.0	21	11	16	8.6g	T281621/BL	64.5	48.6	28	16	21	13.5g
T211121/BL	56.5	41.0	21	11	21	8.8g	T281625/BL	64.5	48.6	28	16	25	13.7g
T211316/BL	56.5	41.0	21	13	16	8.6g	T281628/BL	64.5	48.6	28	16	28	13.6g
							T282121/BL	64.5	48.6	28	21	21	13.5g
							T282125/BL	64.5	48.6	28	21	25	14.3g
							T282128/BL	64.5	48.6	28	21	28	14.2g
							T282525/BL	64.5	48.6	28	25	25	14.9g
							T282528/BL	64.5	48.6	28	25	28	14.8g
							T282828/BL	64.5	48.6	28	28	28	14.2g
							T341625/BL	72.0	55.3	34	16	25	18.4g
							T341634/BL	72.0	55.3	34	16	34	18.7g
							T342125/BL	72.0	55.3	34	21	25	18.8g
							T342128/BL	72.0	55.3	34	21	28	18.8g
							T342134/BL	72.0	55.3	34	21	34	19.3g
							T342525/BL	72.0	55.3	34	25	25	19.9g
							T342534/BL	72.0	55.3	34	25	34	19.9g
							T343434/BL	72.0	55.3	34	34	34	21.2g

IP Rating with appropriate fitting

IP40

IP65

IP66

IP67

IP68

NEW IP69k

For use with following conduit;  
Type PA, PI, & PR

Type PA, PI, & PR conduit

n/a

n/a

n/a

n/a

n/a

Temperature Range

Static Applications: -40 °C to +120 °C  
Moving Applications: -5 °C to +120 °C

Fitting Characteristics

Snap Fit

Approvals





## PRODUCT CHARACTERISTICS

Type  
Description

**TYPE 'Y'**  
HINGED 'Y' PIECE

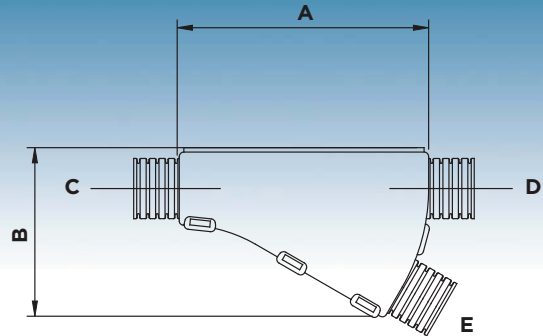
Materials  
Polyamide (Nylon) 66  
Colour Black (BL) only.

Example



PART NUMBER	NOMINAL DIMENSIONS (mm)		NOMINAL CONDUIT SIZE			NOMINAL WEIGHT (g)
	A	B	C	D	E	
Y101010/BL	54.6	37.1	10	10	10	6.5g
Y101013/BL	54.6	37.1	10	10	10	6.7g
Y101210/BL	54.6	37.1	10	10	10	6.7g
Y111111/BL	54.6	37.1	10	10	10	6.0g
Y131010/BL	54.6	37.1	10	10	10	6.5g
Y131011/BL	54.6	37.1	10	10	10	6.1g
Y131111/BL	54.6	37.1	10	10	10	6.0g
Y131310/BL	54.6	37.1	10	10	10	6.0g
Y131311/BL	54.6	37.1	10	10	10	6.0g
Y131313/BL	54.6	37.1	10	10	10	6.0g
Y161013/BL	54.9	39.8	10	10	10	7.0g
Y161111/BL	54.9	39.8	10	10	10	7.0g
Y161310/BL	54.9	39.8	10	10	10	7.0g
Y161311/BL	54.9	39.8	10	10	10	7.0g
Y161313/BL	54.9	39.8	10	10	10	7.0g
Y161610/BL	54.9	39.8	10	10	10	6.5g
Y161611/BL	54.9	39.8	10	10	10	6.5g
Y161613/BL	54.9	39.8	10	10	10	6.5g
Y211010/BL	42.8	41.0	12	10	10	5.5g
Y211310/BL	42.8	41.0	12	10	10	5.5g
Y211311/BL	42.8	41.0	12	10	10	5.5g
Y211313/BL	42.8	41.0	12	10	10	5.5g
Y211610/BL	48.2	39.8	12	10	10	6.5g
Y211613/BL	48.2	39.6	12	10	10	6.5g
Y211616/BL	63.6	47.5	12	10	10	9.5g

## EXTERNAL 'Y' PIECE DIMENSIONS



PART NUMBER	NOMINAL DIMENSIONS (mm)		NOMINAL CONDUIT SIZE			NOMINAL WEIGHT (g)
	A	B	C	D	E	
Y212110/BL	57.9	44.9	12	12	10	8.5g
Y212111/BL	57.9	44.9	12	12	10	8.5g
Y212113/BL	57.9	44.9	12	12	10	8.5g
Y212116/BL	63.6	47.5	12	12	10	9.5g
Y252113/BL	54.0	48.8	11	12	10	11.5g
Y252116/BL	54.0	48.8	11	12	10	11.4g
Y252121/BL	77.0	60.2	11	12	10	18.0g
Y252510/BL	67.3	55.9	13	12	10	14.5g
Y252511/BL	67.3	55.9	13	12	10	14.5g
Y252513/BL	67.3	55.9	11	11	10	14.5g
Y252516/BL	67.3	55.9	11	11	10	14.5g
Y252521/BL	77.0	60.2	11	11	12	17.4g
Y252525/BL	90.7	67.0	11	11	11	20.6g
Y282113/BL	54.0	48.8	13	12	10	11.2g
Y282116/BL	54.0	48.8	13	12	10	11.0g
Y282121/BL	76.5	60.0	13	11	11	17.5g
Y282513/BL	67.3	55.9	13	11	10	14.2g
Y282516/BL	67.3	55.9	13	11	10	14.1g
Y282521/BL	76.5	60.0	13	11	12	17.0g
Y282525/BL	90.7	67.0	13	11	11	20.3g
Y282810/BL	67.3	55.9	13	13	10	13.8g
Y282813/BL	67.3	55.9	13	13	10	13.9g
Y282816/BL	67.3	55.9	13	13	10	13.8g
Y282821/BL	76.5	60.0	13	13	12	16.7g
Y282825/BL	90.7	67.0	13	13	11	20.1g
Y282828/BL	90.7	67.0	13	13	13	19.8g
Y342516/BL	100.6	75.0	13	13	13	30.3g
Y342521/BL	100.6	76.0	13	13	13	30.6g
Y342525/BL	100.6	78.8	13	13	13	31.0g
Y342534/BL	100.6	78.8	13	13	13	31.8g
Y343416/BL	100.6	75.0	13	13	13	30.4g
Y343421/BL	100.6	76.0	13	13	13	31.2g
Y343425/BL	100.6	82.1	13	13	13	31.8g
Y343434/BL	100.6	82.1	13	13	13	32.4g

IP Rating with appropriate fitting

IP40

IP65

IP66

IP67

IP68

NEW IP69k

For use with following conduit;  
Type PA, PI, & PR

Type PA, PI, & PR conduit

n/a

n/a

n/a

n/a

n/a

Temperature Range

Static Applications: -40 °C to +120 °C  
Moving Applications: -5 °C to +120 °C

Fitting Characteristics

Snap Fit

Approvals

