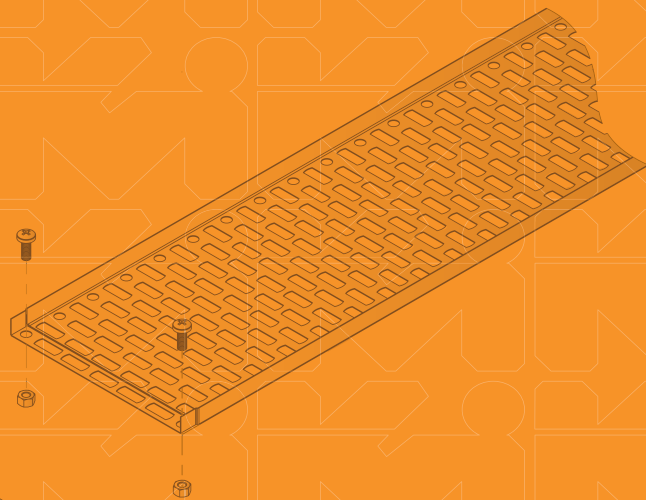
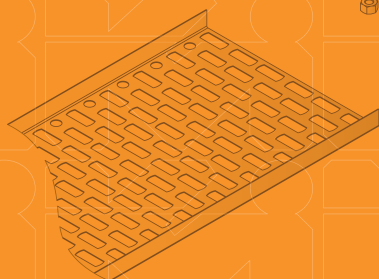
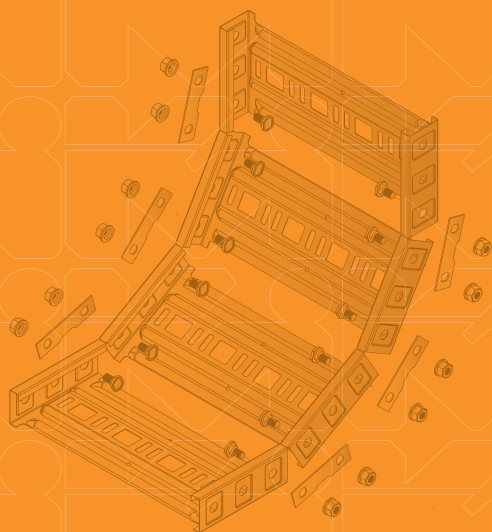


SECTION: 2 **Cable Tray**

- Admiralty Pattern Tray
- CP Tray
- Light Duty Tray
- CT Tray
- KT3 Ladder Tray
- KT5 Ladder Tray



ADMIRALTY PATTERN TRAY

General Description

The Kounis Metal Industries Admiralty Pattern Tray system has been designed and developed as an economical option for general purpose applications.

The Tray provides an allowable loading depth of 14mm.

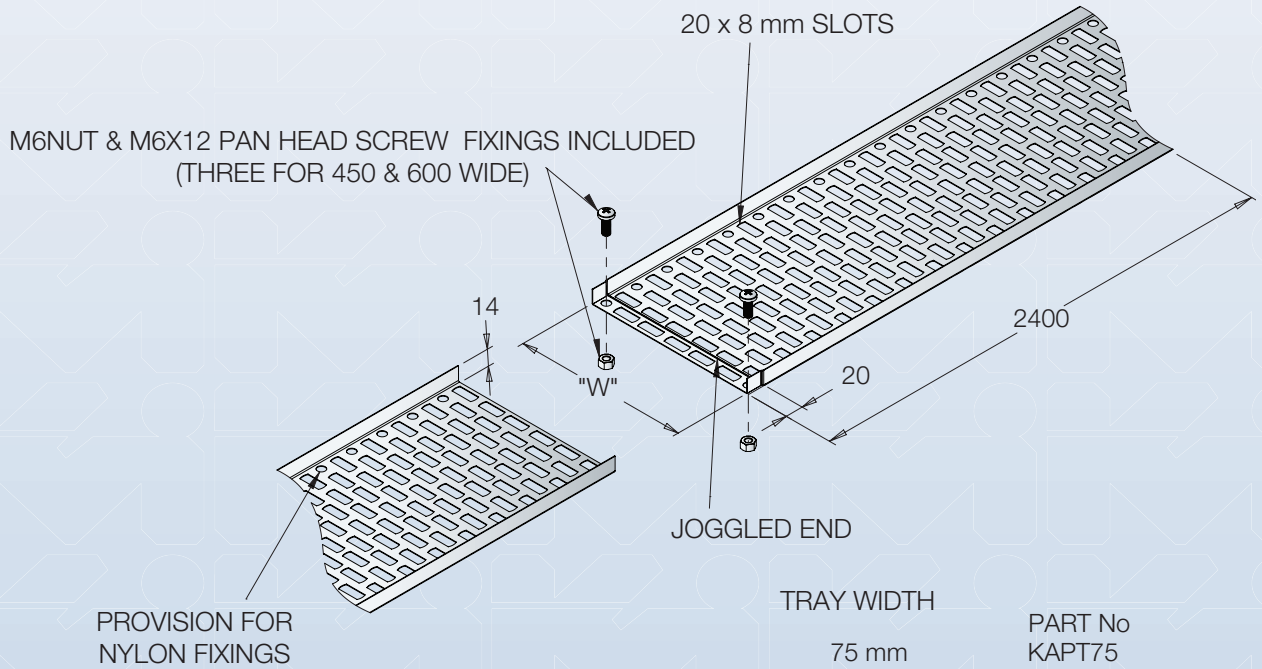
Construction is from 0.55mm thick material.

Some of the features of the Kounis Admiralty Pattern Tray include:-

- Galvabond finish available ex-stock for internal applications.
- Hot Dip Galvanised finish available ex-stock for external applications.
- Joggled end for self splicing.
- Punched slots accept 8mm cable ties.
- Reverse punched to ensure burr free surface therefore minimizing cable damage.
- Pre-punched holes suitable for nylon fixings.
- Admiralty Pattern Tray has a high degree of ventilation and offers versatility for cable attachment.
- Tray is more suitable where supports occur more frequently.

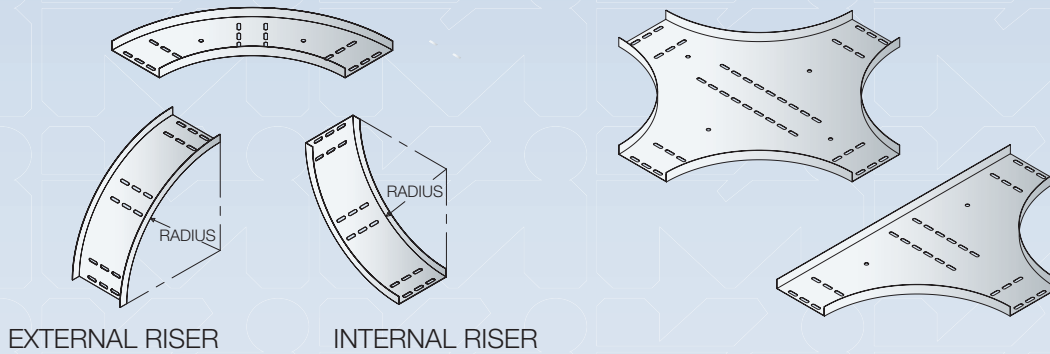
Note: Fittings can be made to order upon request.

ADMIRALTY PATTERN TRAY (KAPT)



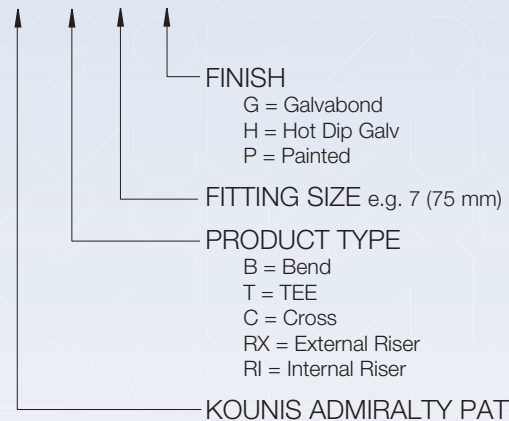
TRAY WIDTH	PART No
75 mm	KAPT75
100 mm	KAPT100
150 mm	KAPT150
225 mm	KAPT225
300 mm	KAPT300
450 mm	KAPT450
600 mm	KAPT600

FITTINGS AVAILABLE ON REQUEST



ORDERING INFORMATION

KAPT B 7 G



E.&O.E.

CP CABLE TRAY

General Description

Kounis Metal Industries CP (Continuously Punched) Cable Tray System has been designed for use in the shipbuilding and instrumentation fields.

Available in stainless steel and aluminium,

A full range of fittings can be supplied as illustrated.

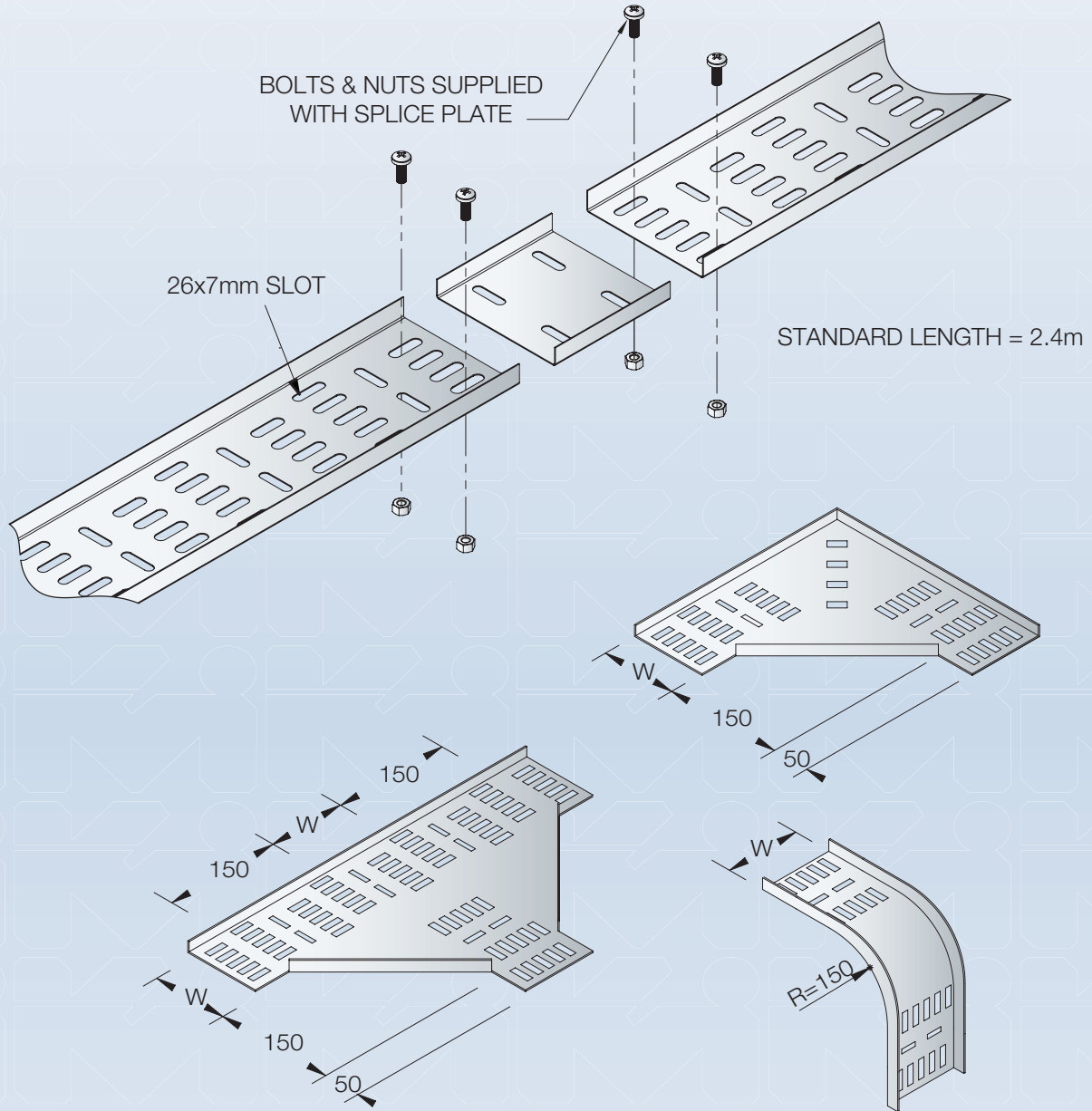
Standard construction is from 0.9mm thick in stainless steel and 2.0mm thick aluminium.

CP cable tray is more suited to smaller cables where the supports occur more frequently.

CP tray has a high degree of ventilation and offers versatility for cable attachment.

For special items, prices are available on application.

CP CABLE TRAY



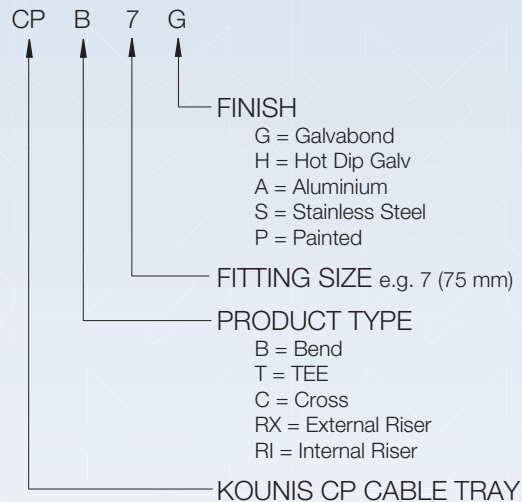
CABLE TRAY

CP CABLE TRAY

ORDERING INFORMATION

STANDARD TRAY WIDTH

"W"	CODE
75	CP7
100	CP10
150	CP15
230	CP23
300	CP30
450	CP45
600	CP60



E.&O.E.

LIGHT DUTY TRAY

The Kounis Metal Industries Light Duty Tray System has been designed with a higher load bearing factor than any comparable Light Duty tray now available.

The tray achieves this due to the 25mm depth and the rolled top lip stiffening.

Standard construction is from Galvabond 0.8mm thick up to 300 wide and 1.0mm thick for other sizes.

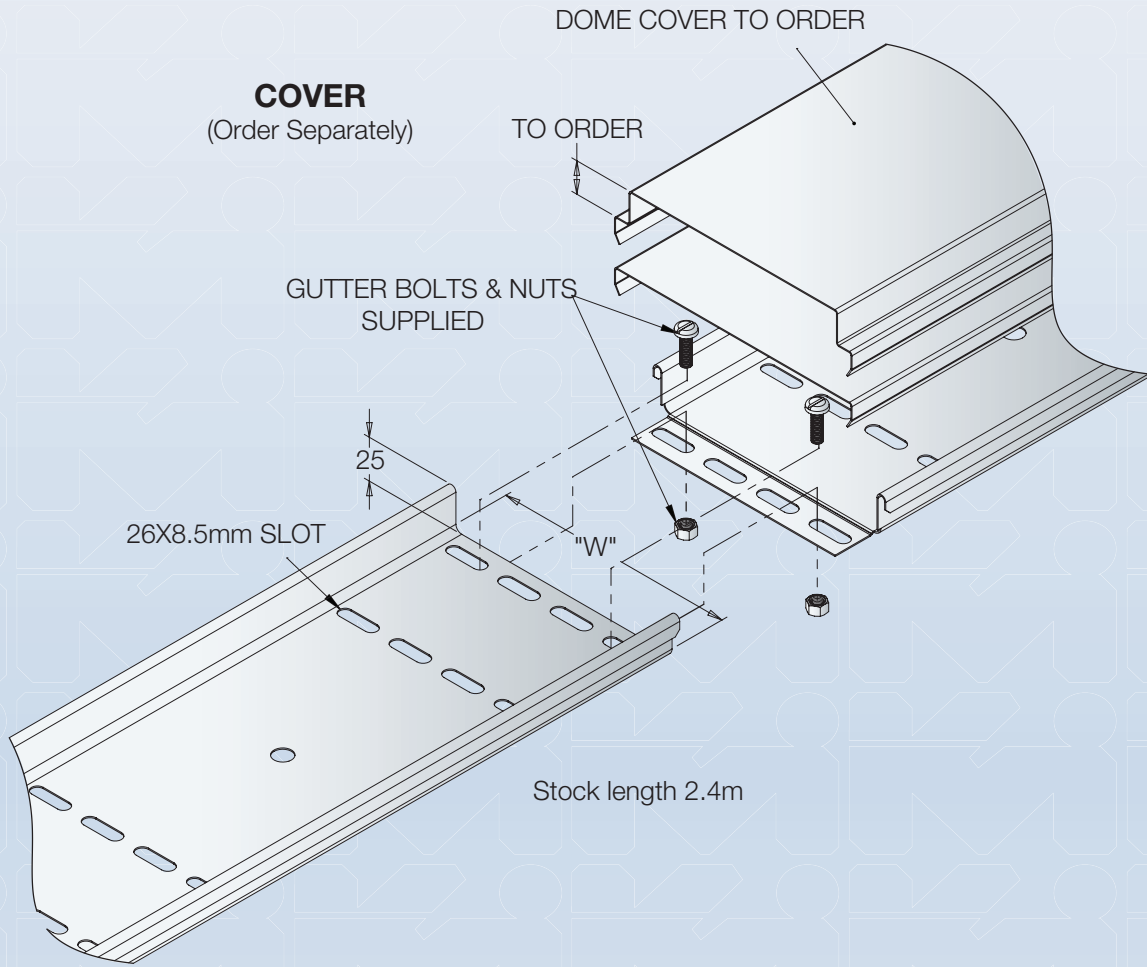
Some of the features of the Kounis Light Duty Tray include:-

- Trays are designed for additional load bearing.
- A rolled top lip giving extra rigidity to the tray and providing a safe edge to drop cables from the tray.
- The trays are self splicing, so giving a quick and cost effective installation.
- All cable trays are pre-punched with a central hole, spaced along the length of tray, for drop rod fixing, giving time and installation cost savings.
- All fittings are based on 300mm radius so covering a larger range of cable sizes.

A range of Aluminium and Grade 316 Stainless Steel trays are also stocked to complement the range of Light Duty Tray. Trays can also be supplied with a Hot Dipped Galvanised finish.

Note: Special fittings can also be made to order.

LIGHT DUTY TRAY

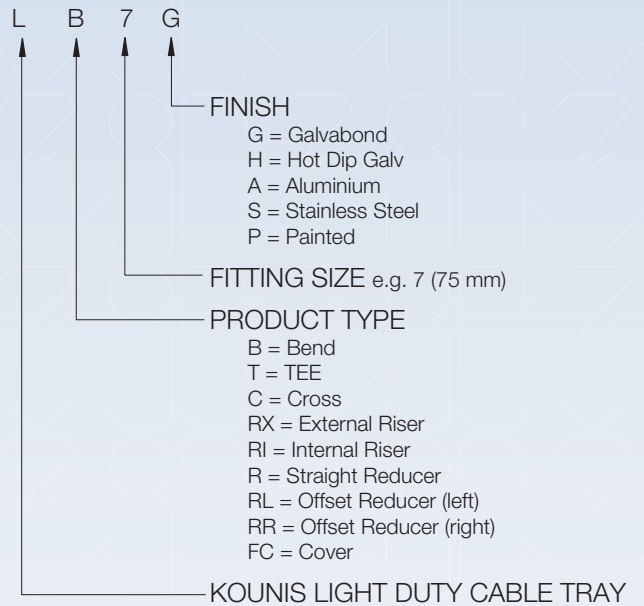


CABLE TRAY

LIGHT DUTY TRAY

TRAY WIDTH	CODE
"W"	
75	L7
100	L10
150	L15
230	L23
300	L30
450	L45
600	L60

ORDERING INFORMATION

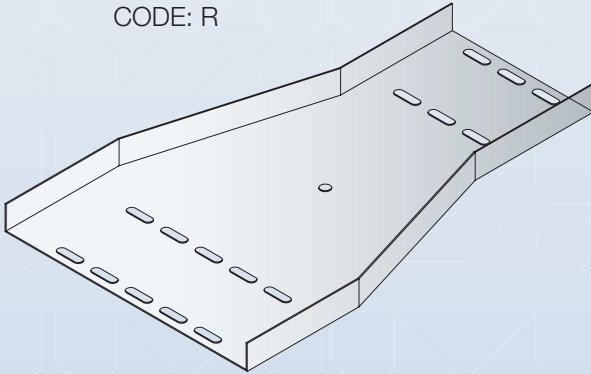


E.&O.E.

Light Duty Tray **STANDARD FITTING**

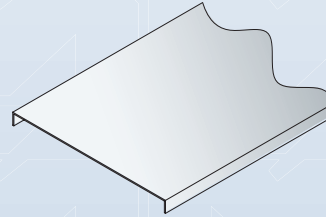
STRAIGHT REDUCER

CODE: R

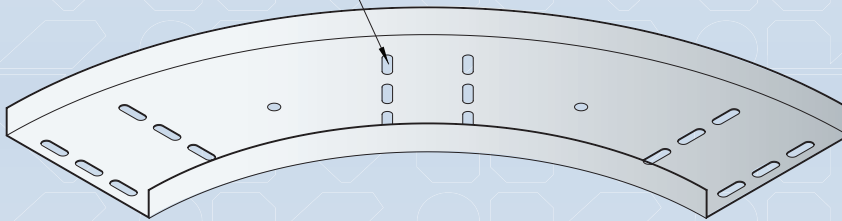


FLAT COVER

CODE: FC

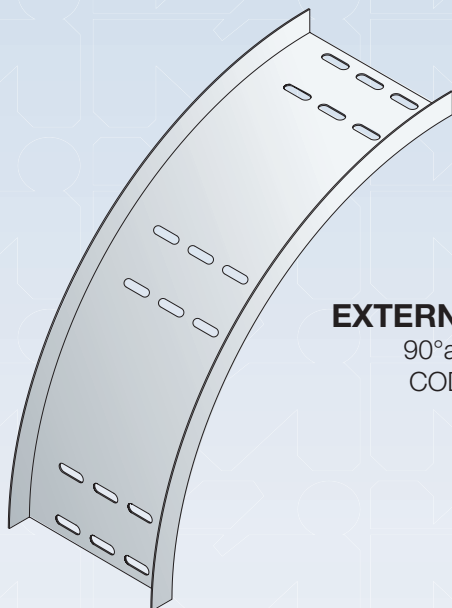


26 x 8.5mm SLOT
TYPICAL



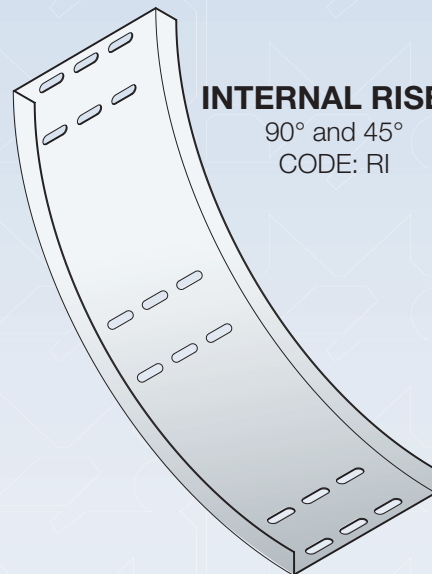
BEND

90° and 45°
CODE: B



EXTERNAL RISER

90° and 45°
CODE: RX

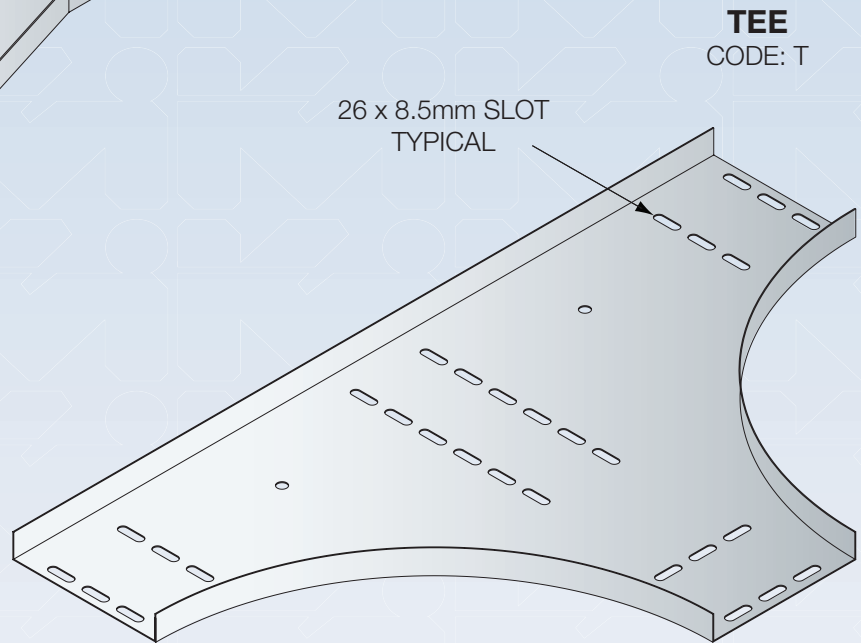
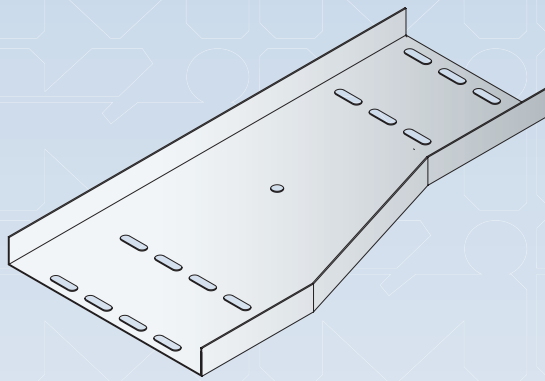
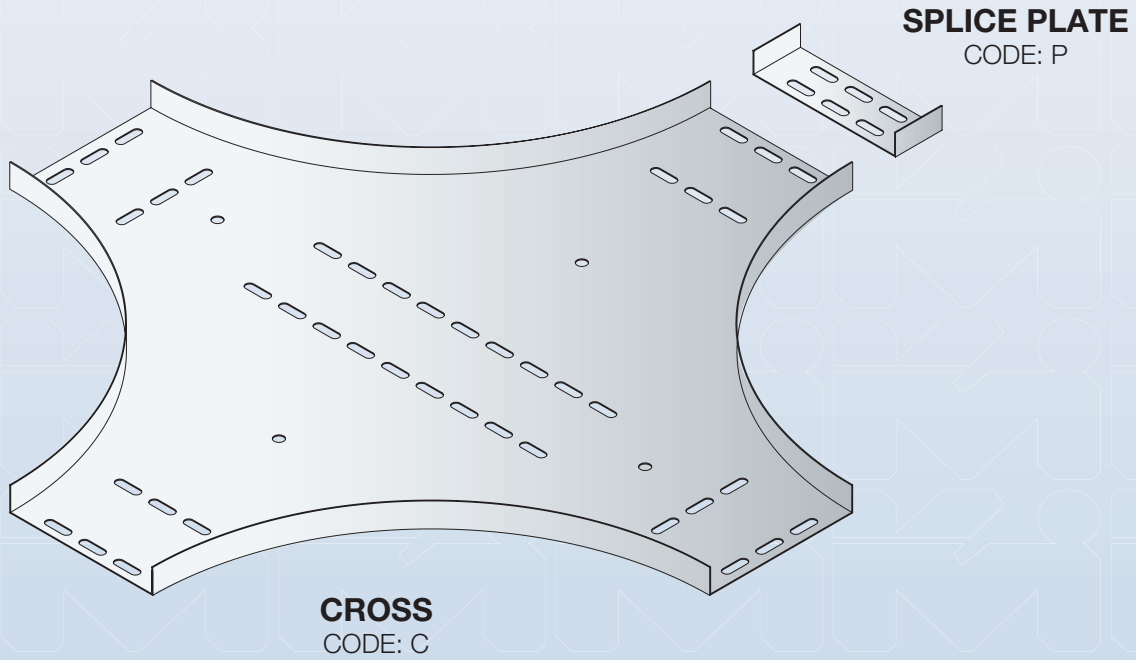


INTERNAL RISER

90° and 45°
CODE: RI

E.&O.E.

Light Duty Tray **STANDARD FITTINGS**



E.&O.E.

CABLE TRAY

Light Duty Tray **STANDARD FITTINGS**

CT CABLE TRAY

General Description

Kounis Metal Industries have introduced a Heavy Duty Cable Tray made from 1.6mm thick material.

Type CT is a heavy duty tray ideal for offshore applications and where tensile strength and corrosion resistance are required.

The cable tray features a top return flange which gives extra load bearing characteristics and no sharp edges to damage cables. The cable tray is fully perforated with slots running lengthwise to enable wider cable bandings to be used and to give good ventilation for the cables.

A full range of fittings and covers can be supplied to suit.

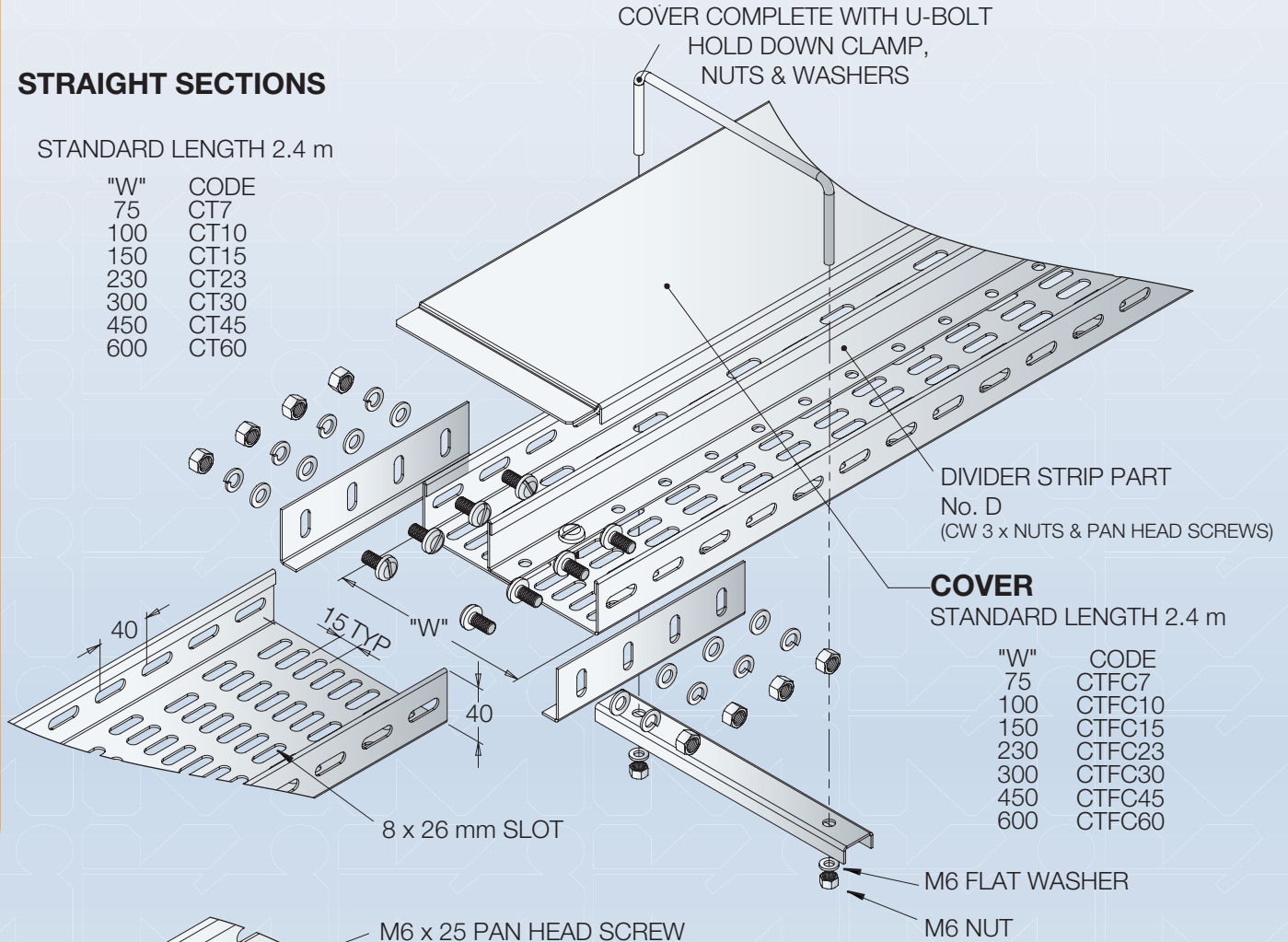
Available in 316 stainless steel and Hot Dip Galvanised.

CT CABLE TRAY

STRAIGHT SECTIONS

STANDARD LENGTH 2.4 m

"W"	CODE
75	CT7
100	CT10
150	CT15
230	CT23
300	CT30
450	CT45
600	CT60



M6 x 25 PAN HEAD SCREW CTS/BOLT

40 x 3mm INSULATING STRIP CTS/PAD

TOP HAT INSULATOR CTS/BUSH

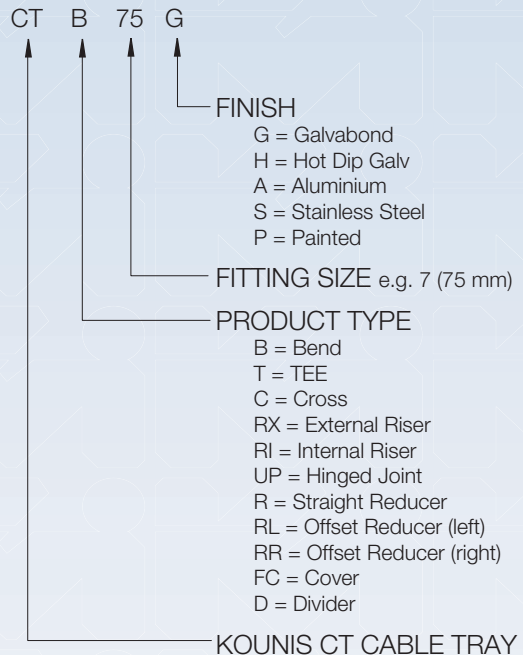
M6 WASHER

M6 SPRING WASHER

M6 NUT

FIXING AND INSULATION WHERE DISSIMILAR MATERIALS ARE USED

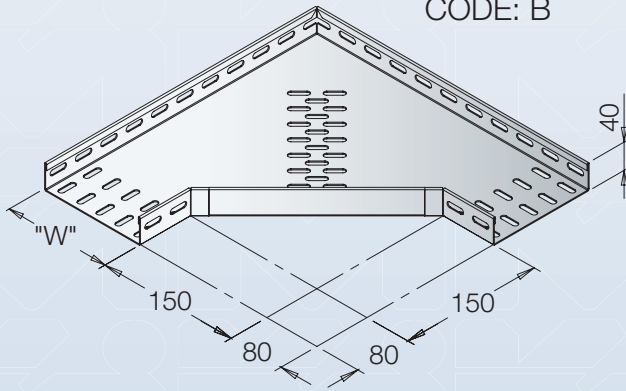
ORDERING INFORMATION



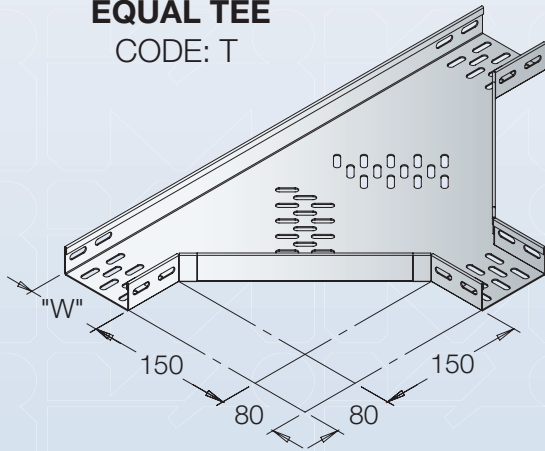
E.&O.E.

CT Cable TRAY FITTINGS

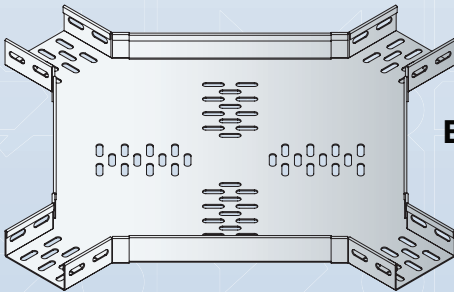
90 DEG BEND
CODE: B



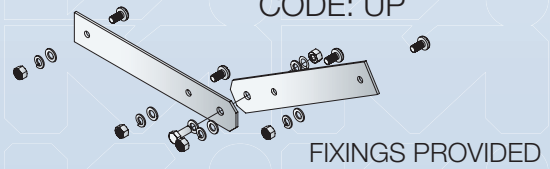
EQUAL TEE
CODE: T



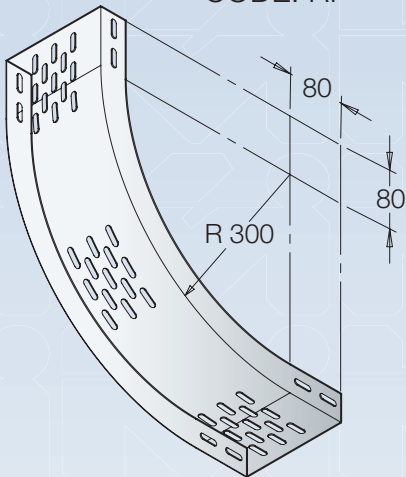
EQUAL CROSS
CODE-CTC



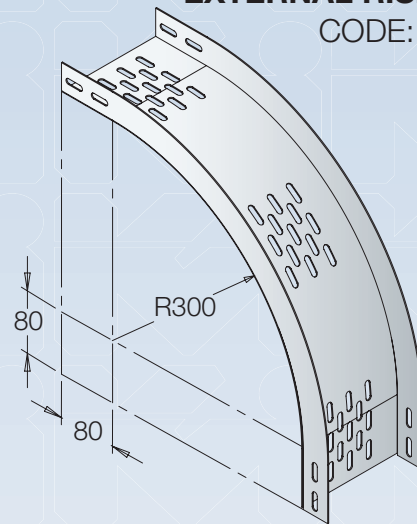
HINGED JOINT
CODE: UP



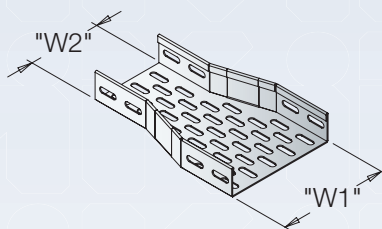
INTERNAL RISER 300 RAD
CODE: RI



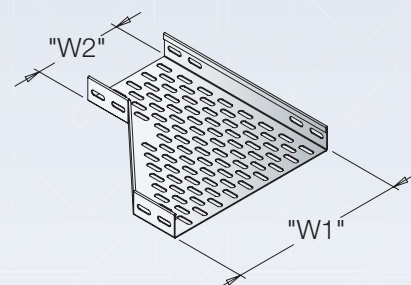
EXTERNAL RISER 300 RAD
CODE: RX



STRAIGHT REDUCER
CODE: R



OFFSET REDUCER
CODE-RL
(RIGHT HAND SHOWN LEFT HAND OPPOSITE)



E.&O.E.

LADDER TRAY

General Description

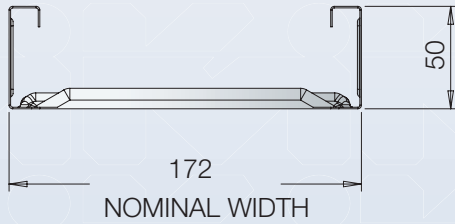
The Kounis Metal Industries Ladder Tray system was developed for commercial and industrial applications and stands alone with superior engineering characteristics and performance attributes.

The product is stocked in Galvabond material for internal use and Hot Dip Galvanised for external applications.

Some of the features of the Kounis Ladder Tray system include:-

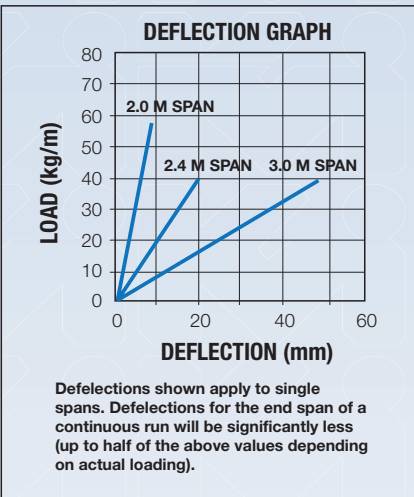
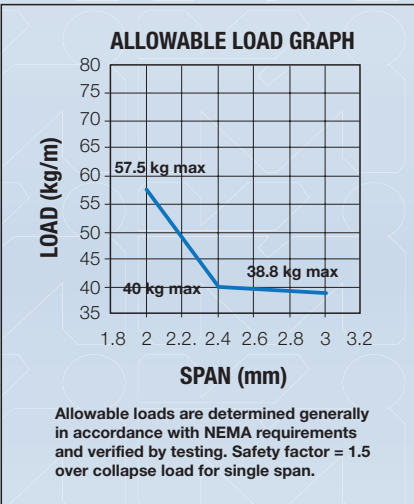
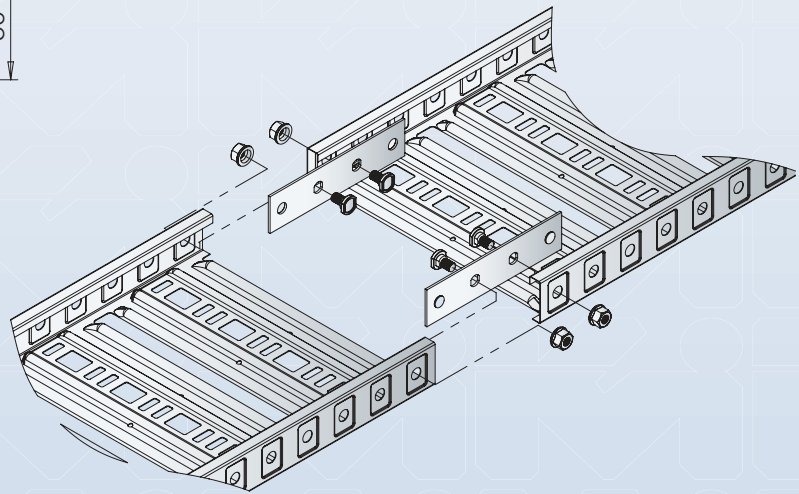
- A full range of easy to use accessories and minimal tool requirements for rapid on-site fabrication of directional changes eliminates the need to order special fittings.
- Rung punch design allows easier cable tying in restricted areas.
- Improved air flow due to the rung punch design ensures minimal cable de-rating.
- Available in four sizes 150mm, 300mm, 450mm, 600mm and manufactured in three metre lengths.
- Drain holes are provided for dissipation of moisture in external applications.
- A full range of covers are available ex-stock for protection from debris, Ultraviolet light and weather elements.
- Barrier strip is available ex stock for multiple service segregation.

KT3 LADDER TRAY



STANDARD TRAY WIDTH x 3m

WIDTH	CODE
150	KT3-15
300	KT3-30
450	KT3-45
600	KT3-60



ORDERING INFORMATION

KT 3 15 G

FINISH

- G = Galvabond
- H = Hot Dip Galv

TRAY WIDTH – ACCESSORY

150, 300, 450, 600

- SP = Splice Plate
- LP = Riser Link Plate
- BP = Bend Plate
- RP = Radius Plate
- TX = Tee/Cross Bracket
- HDC = Hold Down Clamp
- IHD = Internal Hold Down Clamp
- BS = Barrier Strip
- B = Zinc Plated Bolt
- N = Zinc Plated Nut

TRAY TYPE 3 (50 mm high)

KOUNIS KT LADDER TRAY

The load and deflection graphs apply to all widths of Kounis Ladder Tray. All results were determined in accordance with NEMA VE-1 and verified by testing on single spans. The allowable loads include a Safety factor of 1.5 over collapse load for a single span. For continuous tray installations the loads shown should be multiplied by a factor of approx 1.25 times. Tray deflections are also influenced by the positioning of the tray connectors and loading placement. Please refer to NEMA VE-2 for installation guidelines.

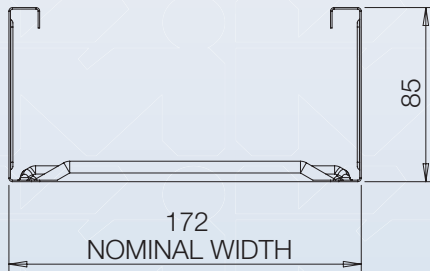
TEST DATA _____

E.&O.E.

CABLE TRAY

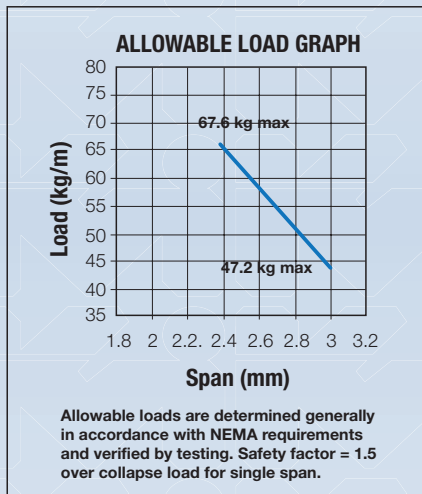
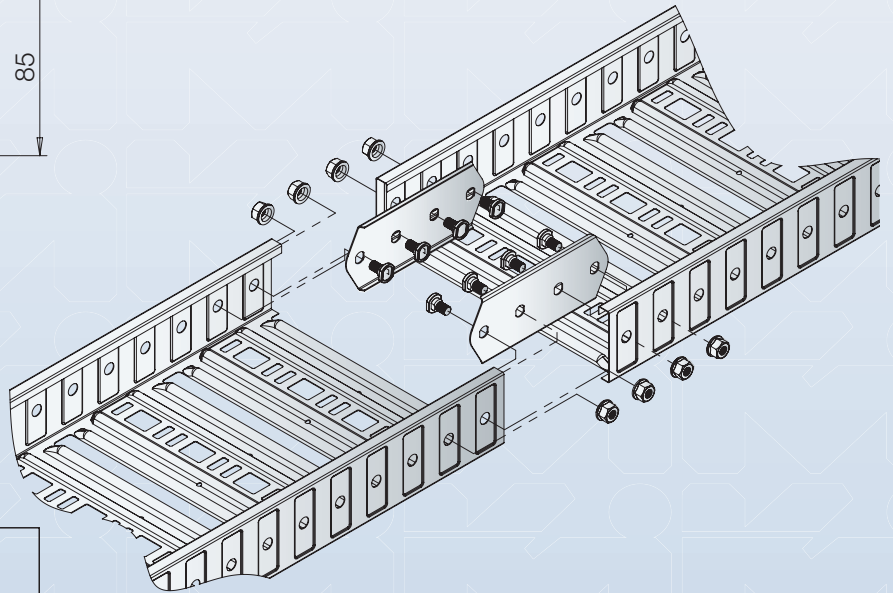
KT3 LADDER TRAY

KT5 LADDER TRAY

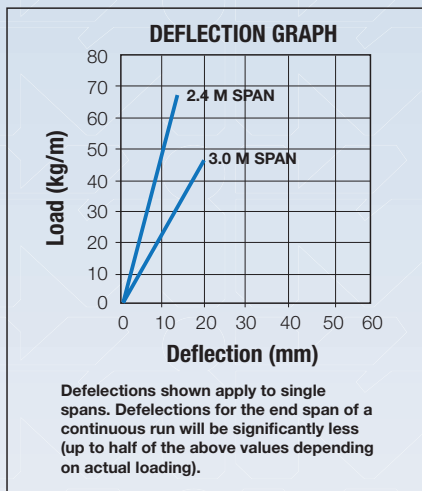


STANDARD TRAY WIDTH x 3 m

WIDTH	CODE
150	KT5-15
300	KT5-30
450	KT5-45
600	KT5-60



Allowable loads are determined generally in accordance with NEMA requirements and verified by testing. Safety factor = 1.5 over collapse load for single span.



Deflections shown apply to single spans. Deflections for the end span of a continuous run will be significantly less (up to half of the above values depending on actual loading).

ORDERING INFORMATION

KT 5 15 G

FINISH

- G = Galvabond
- H = Hot Dip Galv

TRAY WIDTH – ACCESSORY

- 150, 300, 450, 600
- SP = Splice Plate
- LP = Riser Link Plate
- BP = Bend Plate
- RP = Radius Plate
- TX = Tee/Cross Bracket
- HDC = Hold Down Clamp
- IHD = Internal Hold Down Clamp
- BS = Barrier Strip
- B = Zinc Plated Bolt
- N = Zinc Plated Nut

TRAY TYPE 5 (85 mm high)

KOUNIS KT LADDER TRAY

The load and deflection graphs apply to all widths of Kounis Ladder Tray. All results were determined in accordance with NEMA VE-1 and verified by testing on single spans. The allowable loads include a Safety factor of 1.5 over collapse load for a single span. For continuous tray installations the loads shown should be multiplied by a factor of approx 1.25 times. Tray deflections are also influenced by the positioning of the tray connectors and loading placement. Please refer to NEMA VE-2 for installation guidelines.

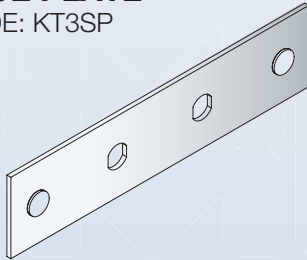
TEST DATA _____

E.&O.E.

KT3 Ladder Tray **ACCESSORIES**

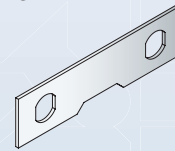
SPLICE PLATE

CODE: KT3SP



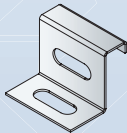
RISER LINK PLATE

CODE: KT3LP



HOLD DOWN CLAMP

CODE: KT3HDC



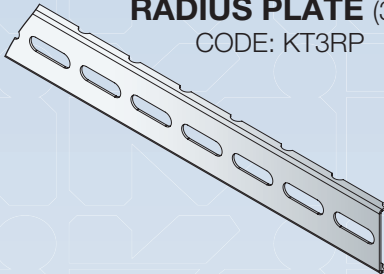
T-X BRACKET

CODE: KT3TX



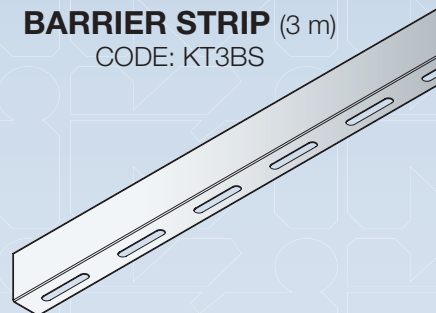
RADIUS PLATE (3 m)

CODE: KT3RP



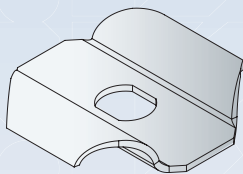
BARRIER STRIP (3 m)

CODE: KT3BS



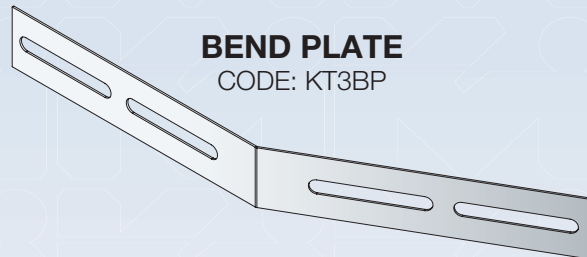
INTERNAL HOLD DOWN CLAMP

CODE: KT3IHD



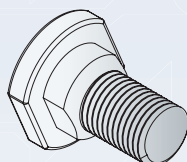
BEND PLATE

CODE: KT3BP



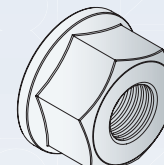
BOLT

CODE: KTB



NUT

CODE: KTN

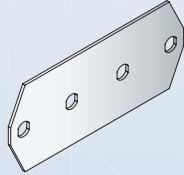


E.&O.E.

KT5 Ladder Tray **ACCESSORIES**

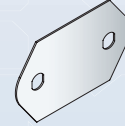
SPLICE PLATE

CODE: KT5SP



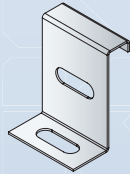
RISER LINK PLATE

CODE: KT5LP



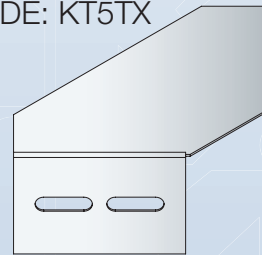
HOLD DOWN CLAMP

CODE: KT5HDC



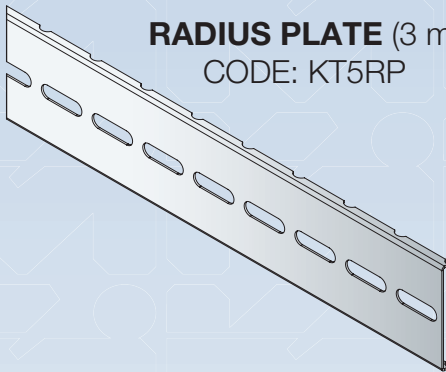
TX-BRACKET

CODE: KT5TX



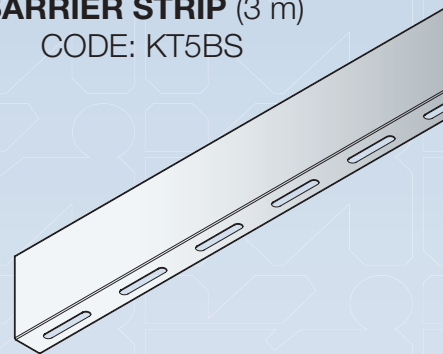
RADIUS PLATE (3 m)

CODE: KT5RP



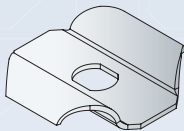
BARRIER STRIP (3 m)

CODE: KT5BS



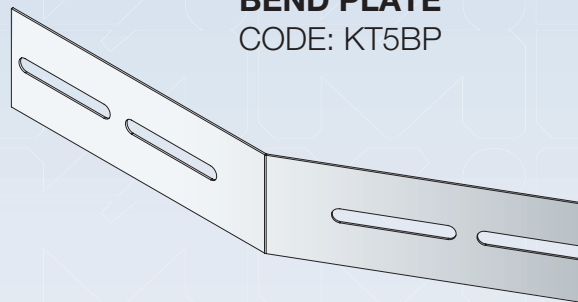
INTERNAL HOLD DOWN CLAMP

CODE: KT5IHD



BEND PLATE

CODE: KT5BP



BOLT

CODE: KTB



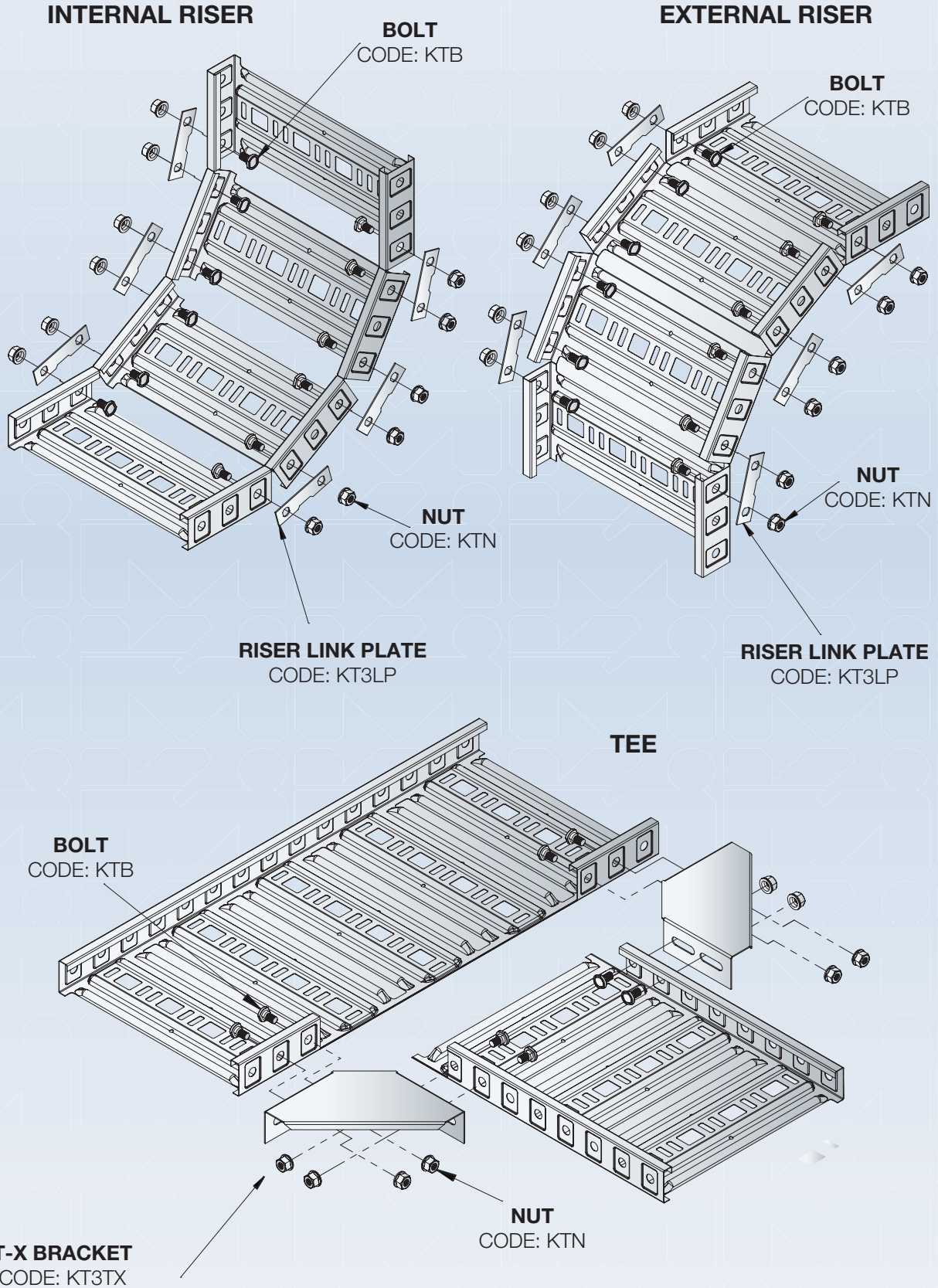
NUT

CODE: KTN



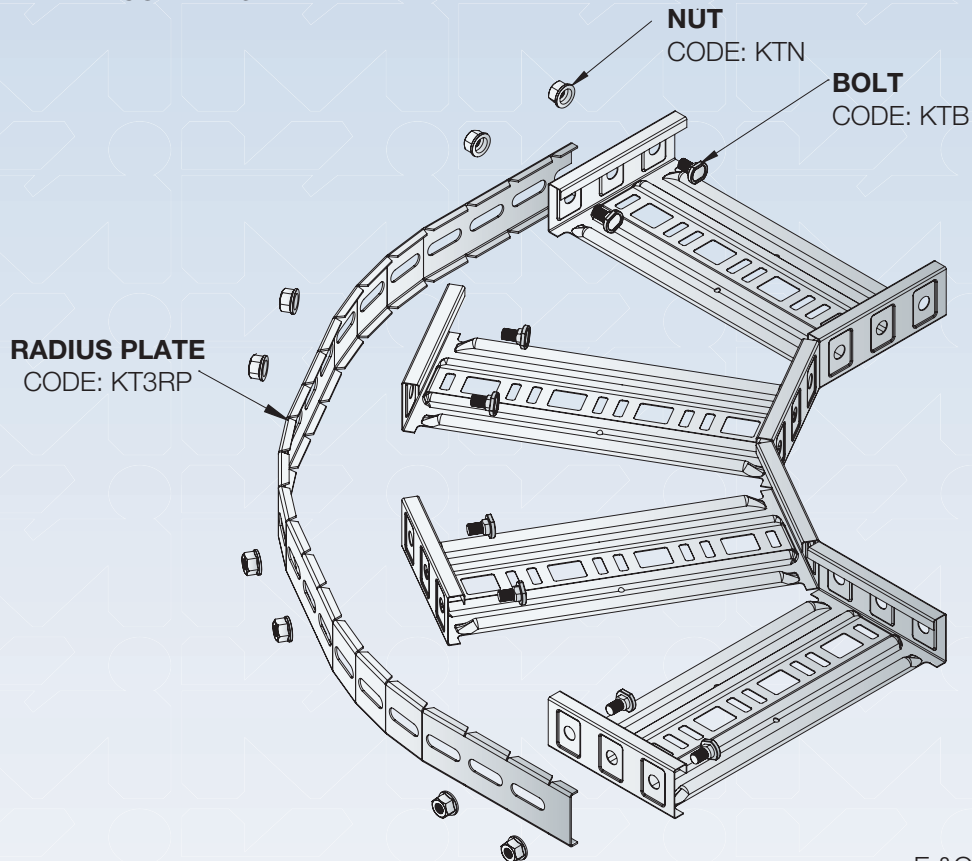
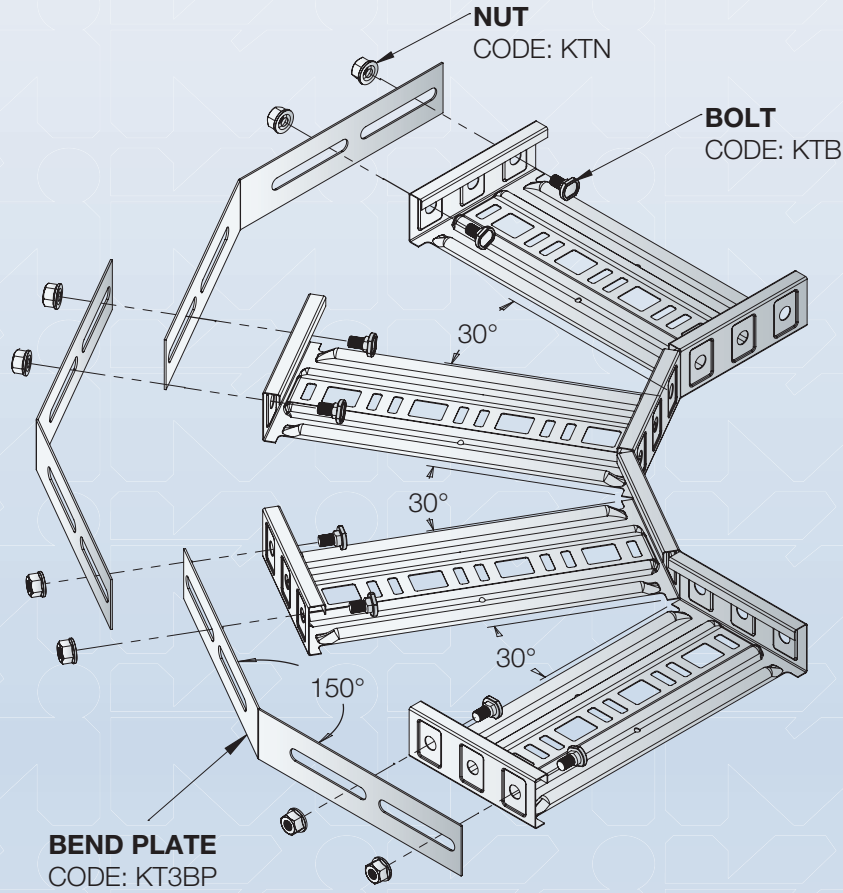
E. & O.E

KT3 & KT5 Ladder Tray RISER & TEE GENERAL ASSEMBLY



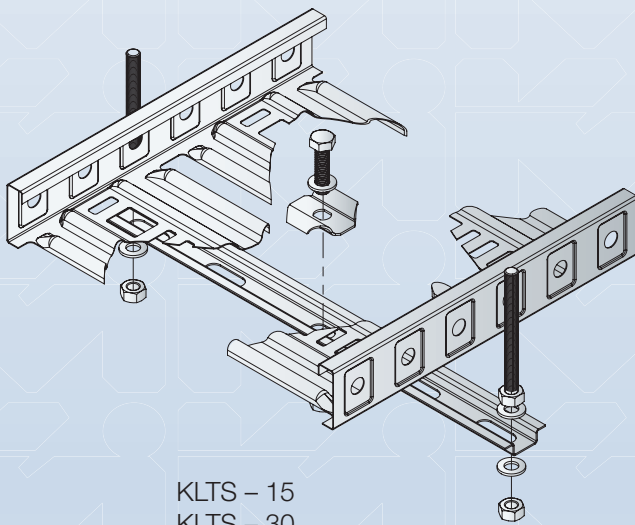
E.&O.E.

KT3 & KT5 Ladder Tray BENDS GENERAL ASSEMBLY



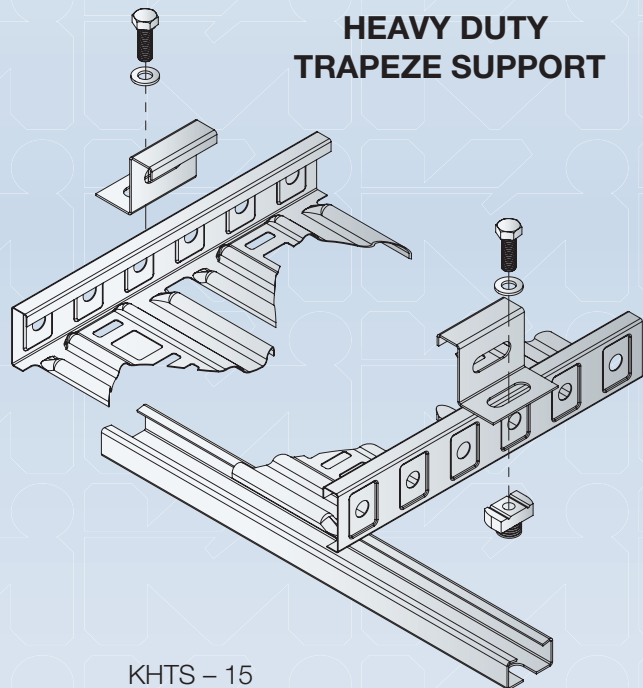
Ladder Tray **SUPPORT OPTIONS**

LIGHT DUTY TRAPEZE SUPPORT



- KLTS - 15
- KLTS - 30
- KLTS - 45
- KLTS - 60

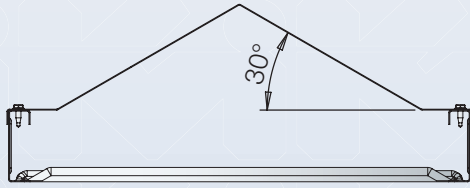
HEAVY DUTY TRAPEZE SUPPORT



- KHTS - 15
- KHTS - 30
- KHTS - 45
- KHTS - 60

E.&O.E.

Ladder Tray **COVERS**

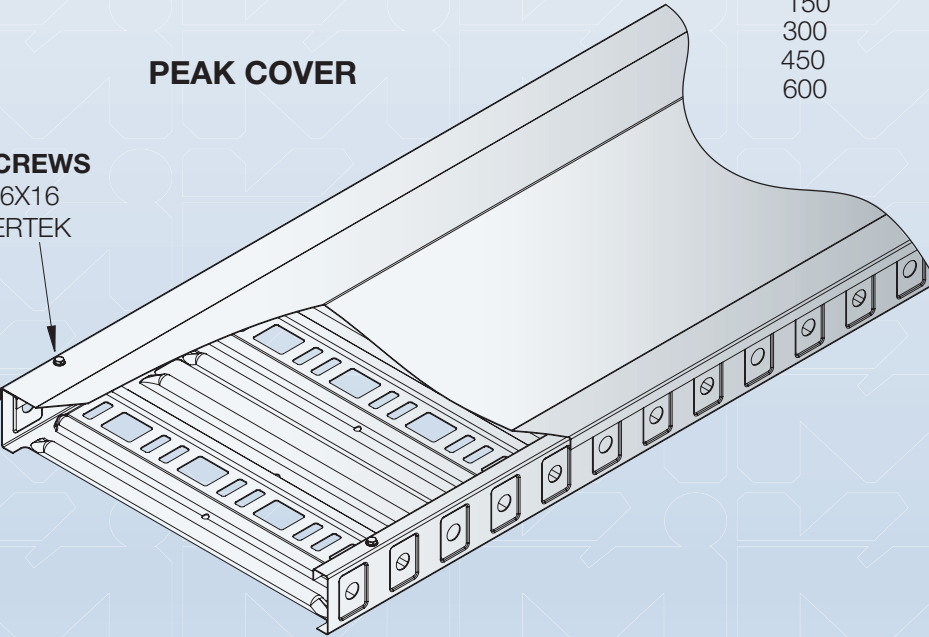


PEAK COVER

STANDARD COVER WIDTH X 3.0m LONG
MATERIAL 0.6mm GALVABOND

WIDTH	CODE
150	KTPC15
300	KTPC30
450	KTPC45
600	KTPC60

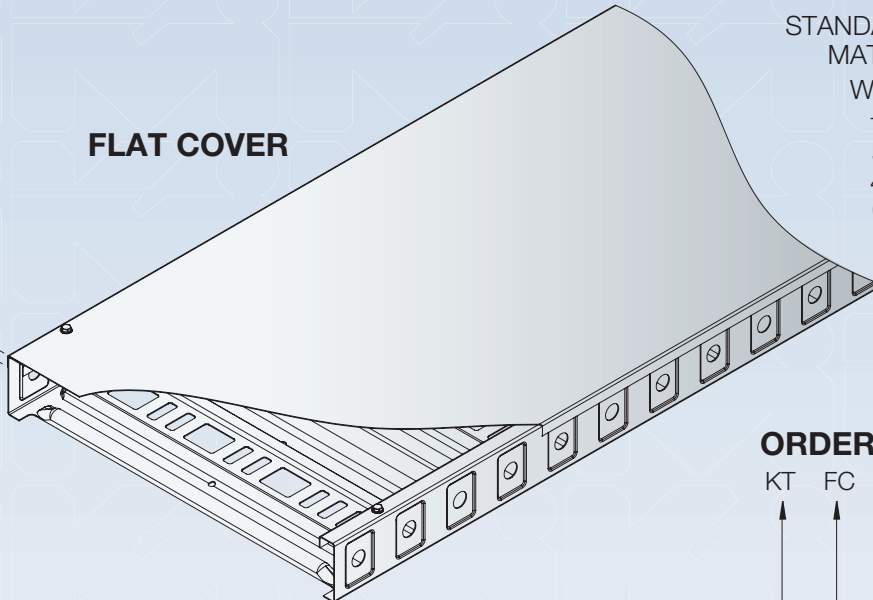
TEK SCREWS
10-16X16
WAFERTEK



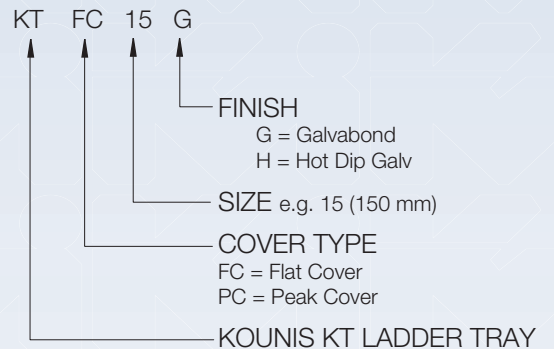
FLAT COVER

STANDARD COVER WIDTH X 3.0m LONG
MATERIAL 0.6mm GALVABOND

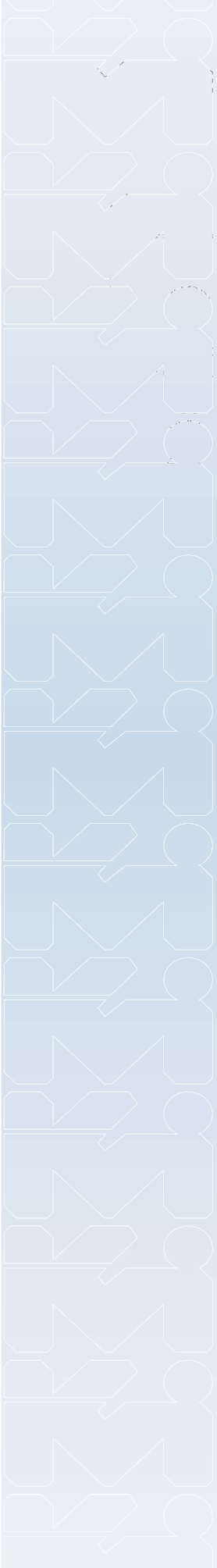
WIDTH	CODE
150	KTFC15
300	KTFC30
450	KTFC45
600	KTFC60



ORDERING INFORMATION

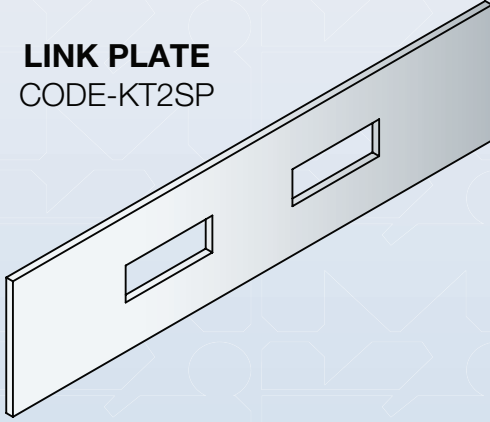


E.&O.E.

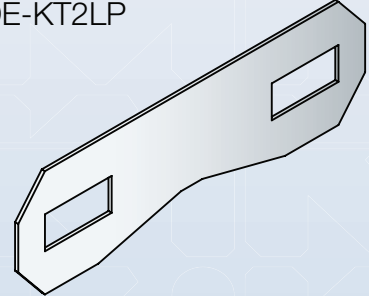


KT2 Ladder Tray **ACCESSORIES**

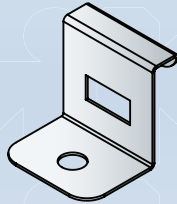
LINK PLATE
CODE-KT2SP



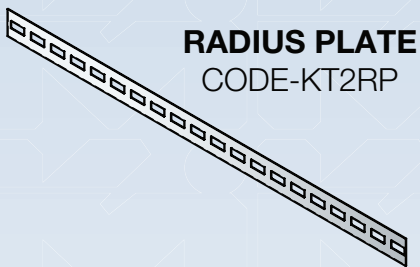
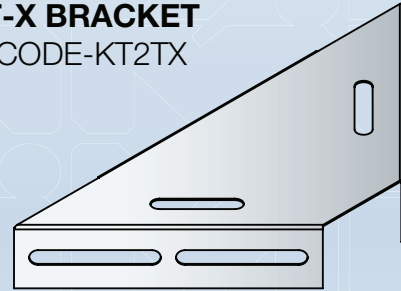
RISER LINK PLATE
CODE-KT2LP



HOLD DOWN CLAMP
CODE-KT2HDC

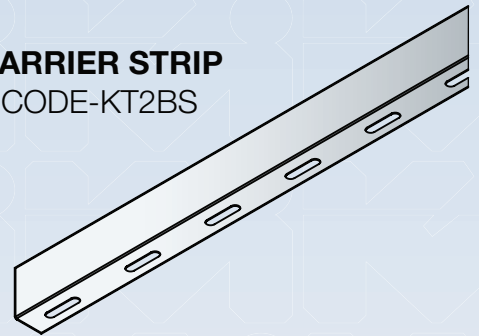


T-X BRACKET
CODE-KT2TX

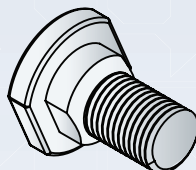


RADIUS PLATE
CODE-KT2RP

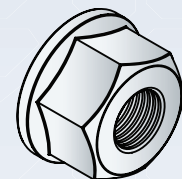
BARRIER STRIP
CODE-KT2BS



BOLT
CODE-KTB



NUT
CODE-KTN



E.&O.E.