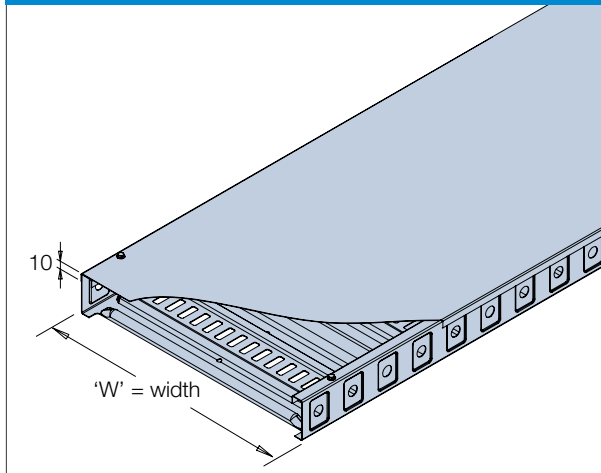
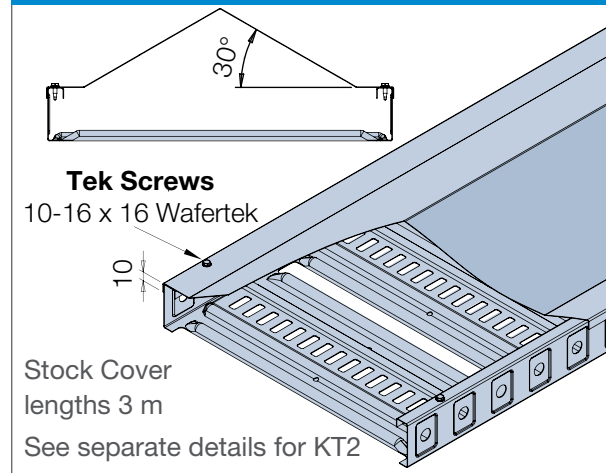


KT3 and KT5 Ladder Tray Covers and Trapeze Supports

Flat Cover for KT3 & KT5 Tray



Peak Cover for KT3 & KT5 Tray

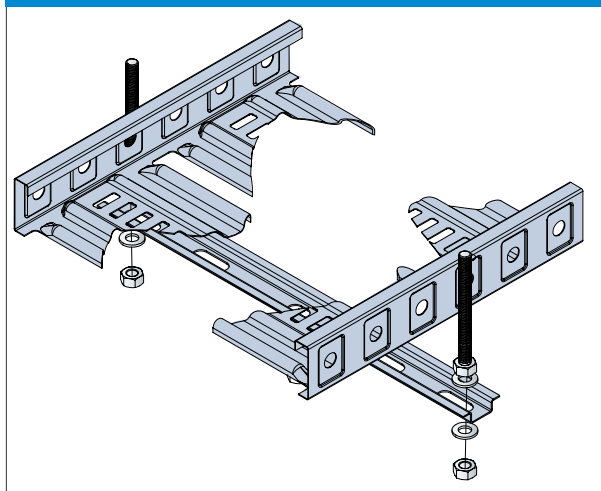


When Ordering

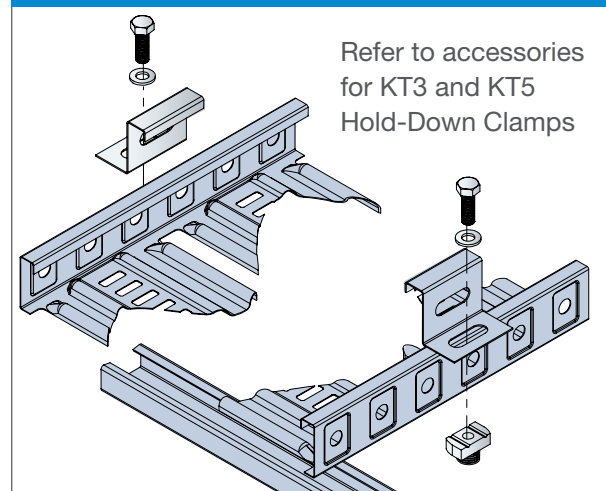
Range	Type	Wide	Std.Finish	Fastening	Finish
KT	FC	15	G		PC-COL
KT = Ladder Tray	FC = Flat Cover PC = Peak Cover	15 = 150 mm 30 = 300 mm 45 = 450 mm 60 = 600 mm	G = Galvabond Thk.0.75 mm H = Hot Dip Galvanised Thk. 1.0 mm 150-300W Thk. 1.2 mm 450-600W	Tek Screw fixings can be supplied separately	PC-COL = Paint Painted finish to Kounis standard colour range

ORDERING EXAMPLE SHOWN: Ladder Tray Flat Cover 150mm wide Galvabond finish. Painted Finish to specification colour

Light Duty Trapeze Support



Heavy Duty Trapeze Support



When Ordering

Range	Type	Wide	Finish
K	LTS	15	G
K = Ladder Tray Brackets	LTS = Light Duty Supports HTS = Heavy Duty Supports	15 = 150 mm 30 = 300 mm 45 = 450 mm 60 = 600 mm	G = Galvabond H = Hot Dip Galvanised Z = Zinc Plated

NOTE:
Recommended both KT3 and KT5

ORDERING EXAMPLE SHOWN: Ladder Tray Light Duty Support 150 mm wide Galvabond finish.

Note: Recommended M10 hanger drop rods and fastenings. Please refer to our K-Strut and fixings section for a full range to suit your particular installation.

QTY. OF BENDS FROM 3 m LENGTH RADIUS PLATE

WIDTH	BEND 90°
150 mm	4 per Length
300 mm	3 per Length
450 mm	2 per Length
600 mm	2 per Length

QTY. OF FITTINGS FROM 3 m TRAY LENGTH

WIDTH	BEND 90°	RISER 90°	TEES
150 mm	5	5	4
300 mm	5	5	3
450 mm	5	5	2
600 mm	5	5	2

E.&O.E.