

Base for 5534 Relay/9902 LED



- Lockable test button and mechanical flag indicator as standard on 2 and 4 pole types
- AC coils and DC coils
- Cadmium Free contacts (preferred version)
- 94 series sockets
- Coil EMC suppression
- Timer accessories 86 series

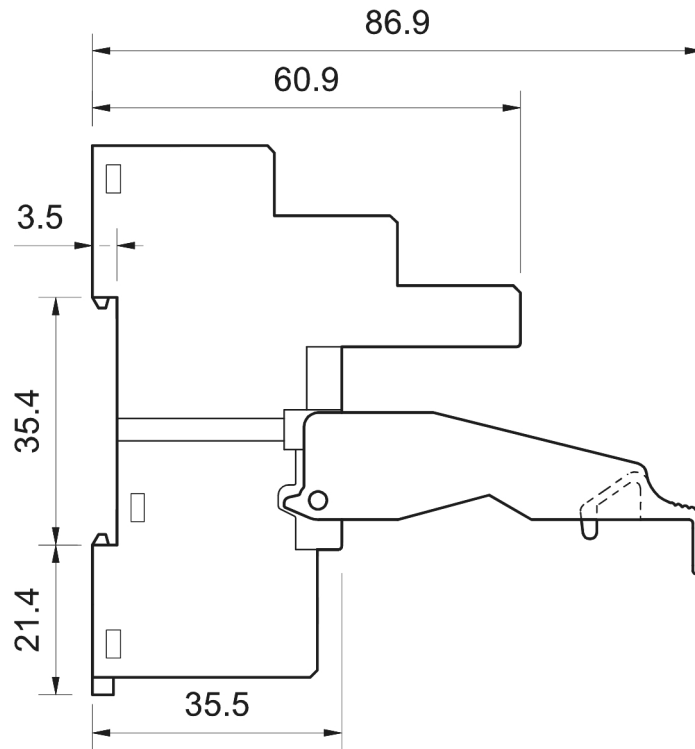
Representative Photo Only  
(actual product may vary based on configuration selections)

**SPECIFICATIONS**

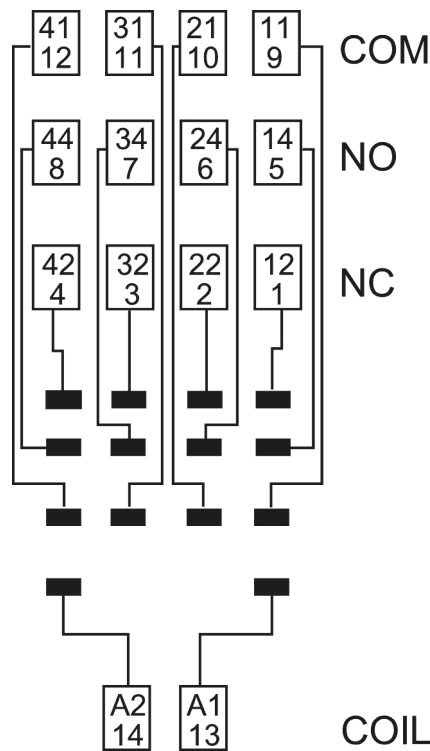
Product Series	55
Component Type Timers and Control relays	Relay Base
Dielectric Strength, between open Contacts	1000 V AC
Mounting	Plug-in
Height	76 mm
Width	27 mm
Depth	86.9 mm
Shock Acceleration (Max.)	16 g
Shock Duration (Max.)	3 ms
Vibration Acceleration (Max.)	15 m/s <sup>2</sup>
Vibration Frequency, Operational (Max.)	55 Hz

**REFERENCES**

IECEX Certificate	-
Supplier Declaration of Conformity:	-
Installation Guide:	-
User Manual:	-
Manufacturer Datasheet:	-
Manufacturer Catalogue & Product Selection:	-



Dimension Diagram



Connection / Wiring Diagram