

Catalogue No: **ZS250GJ4160SN**

TB2 ELCB MCCB 65kA SOLID NEUTRAL 4P 160A

Power Distribution and Protection > Circuit Breakers > Moulded Case Circuit Breakers > Terasaki TemBreak 2 Moulded Case Circuit Breakers > TemBreak 2 250 AF > ZS Earth Leakage 250 AF 65kA

NHP



T2ELCB 65KA 160A SOLID NEUTRAL

Representative Photo Only
(actual product may vary based on configuration selections)

SPECIFICATIONS

Product Series	TemBreak 2 ELCB (ZS)
Component Type MCCB	MCCB AC
Frame Size	250 AF size
Trip Unit Protection Type	Adjustable Thermal, Fixed Magnetic
Un, Nominal Operational Voltage, AC	525 V AC
Ui, Rated Insulation Voltage	550 V (rms)
In, Rated Current at 45°C	160 A @45°C
Icu, Rated Ultimate Short-Circuit Breaking Capacity, 220/240V AC	85 kA @220/240VAC
Icu, Rated Ultimate Short-Circuit Breaking Capacity, 400/415V AC	65 kA @400/415VAC
Icu, Rated Ultimate Short-Circuit Breaking Capacity, 440V AC	50 kA @440VAC
Icu, Rated Ultimate Short-Circuit Breaking Capacity, 525V AC	25 kA @525VAC
Number of Poles	4
Height	165 mm
Width	140 mm
Depth	68 mm
Weight	1.9 kg
Standard Installation Method	Front Connection
Reverse Connection Of Supply Possible	Yes
Electrical Service Life at Un, In	10000 cycles
Mechanical Service Life	30000 cycles
Thermal Trip Type	Adjustable type
Ir, Thermal Trip Current, Min	100 A
Ir, Thermal Trip Current, Max	160 A
Magnetic Trip Type	Fixed type
Im, Magnetic Trip Current	2080 A

Catalogue No: **ZS250GJ4160SN**

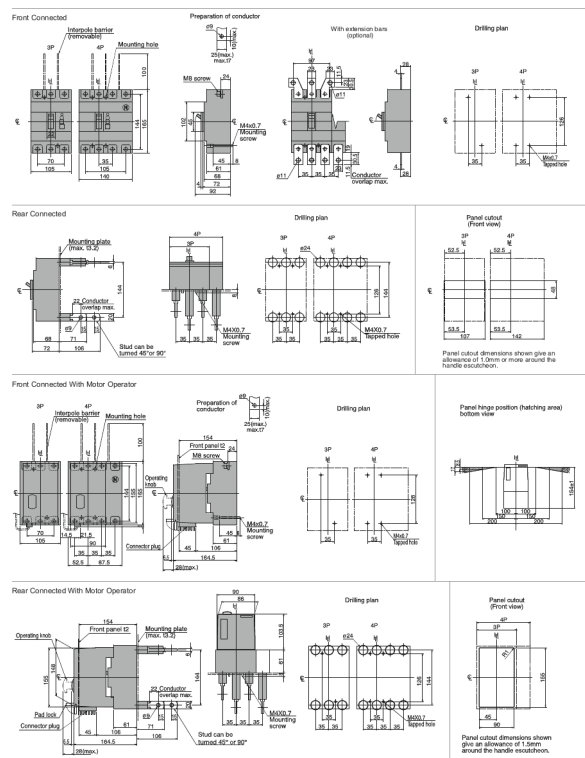
TB2 ELCB MCCB 65kA SOLID NEUTRAL 4P 160A

Power Distribution and Protection > Circuit Breakers > Moulded Case Circuit Breakers > Terasaki TemBreak 2 Moulded Case Circuit Breakers > TemBreak 2 250 AF > ZS Earth Leakage 250 AF 65kA



$I\Delta n$, Earth Leakage Trip Sensitivity Type	Selectable sensitivity
$I\Delta n$, Earth Leakage Trip Sensitivity Setting Range	30mA, 100mA, 300mA, 500mA, 1A, 3A
Earth Leakage Trip Time Type	Selectable time
Earth Leakage Trip Time Setting Range @ $I\Delta n$	0, 60, 200, 400, 700 ms or No trip @ $I\Delta n$
Certifications	CE ASTA
Shipping Approvals	Contact NHP

REFERENCES	
IECEX Certificate	-
Supplier Declaration of Conformity:	-
Installation Guide:	-
User Manual:	-
Manufacturer Datasheet:	-
Manufacturer Catalogue & Product Selection:	-

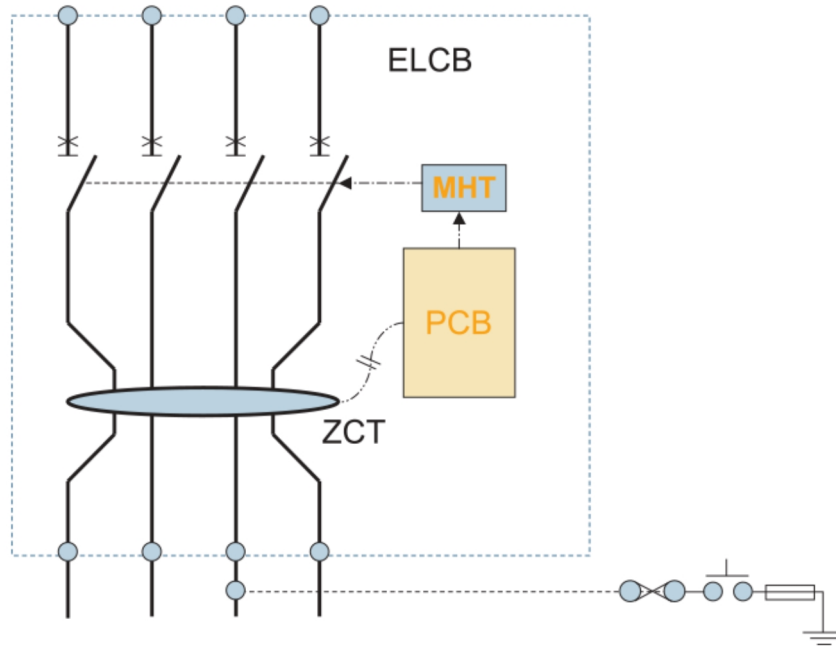


Dimension Diagram

Catalogue No: **ZS250GJ4160SN**

TB2 ELCB MCCB 65kA SOLID NEUTRAL 4P 160A

Power Distribution and Protection > Circuit Breakers > Moulded Case Circuit Breakers > Terasaki TemBreak 2 Moulded Case Circuit Breakers > TemBreak 2 250 AF > ZS Earth Leakage 250 AF 65kA



Connection / Wiring Diagram