

Catalogue No: **ZS250GJ3250**

TB2 ELCB MCCB 65kA 30mA 3A 3P 250A

Power Distribution and Protection > Circuit Breakers > Moulded Case Circuit Breakers > Terasaki TemBreak 2 Moulded Case Circuit Breakers > TemBreak 2 250 AF > ZS Earth Leakage 250 AF 65kA



T2 ELCB MCCB 65kA 30mA 3A 3P 250A

- Wide range of fault interruption ratings from 25 to 200kA to cater for a wide spectrum of applications
- MCCB sizes available from 16 to 1600A with various common frames and common accessories
- Customer fit accessories available to enable quick and easy configuration
- Basic or Advanced trip units such AC/DC thermal magnetic, AC electronic, metering and communications types are available
- The range complies with AS/NZS IEC 60947-2

Representative Photo Only
(actual product may vary based on configuration selections)

SPECIFICATIONS

Product Series	TemBreak 2 ELCB (ZS)
Component Type MCCB	AC MCCB
In, Rated Current at 45°C	250 A @45°C
Un, Nominal Operational Voltage, AC	525 V AC
Icu, Rated Ultimate Short-Circuit Breaking Capacity, 220/240V AC	85 kA @220/240VAC
Icu, Rated Ultimate Short-Circuit Breaking Capacity, 400/415V AC	65 kA @400/415VAC
Icu, Rated Ultimate Short-Circuit Breaking Capacity, 440V AC	50 kA @440VAC
Icu, Rated Ultimate Short-Circuit Breaking Capacity, 525V AC	25 kA @525VAC
Frame Size	250 AF size
Number of Poles	3
Ui, Rated Insulation Voltage	550 V (rms)
Height	165 mm
Width	105 mm
Depth	68 mm
Weight	1.5 kg
Standard Installation Method	Front Connection
Reverse Connection Of Supply Possible	Yes
Electrical Service Life at Un, In	10000 cycles
Mechanical Service Life	30000 cycles
Standards Compliance	IEC 60947-1 IEC 60947-2 EN 60755 IEC 60755 EN 60947-2 JIS C 8201-2-1 Ann.1 AS/NZS 2081:2011 AS/NZS 60947-2

Catalogue No: **ZS250GJ3250**

TB2 ELCB MCCB 65kA 30mA 3A 3P 250A

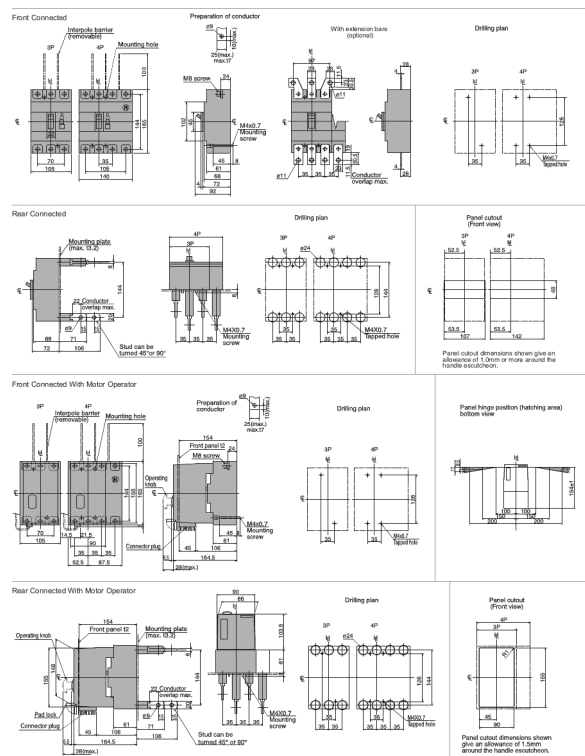
Power Distribution and Protection > Circuit Breakers > Moulded Case Circuit Breakers > Terasaki TemBreak 2 Moulded Case Circuit Breakers > TemBreak 2 250 AF > ZS Earth Leakage 250 AF 65kA



Trip Unit Protection Type	Adjustable thermal, fixed magnetic
Thermal Trip Type	Adjustable type
I _r , Thermal Trip Current, Min	160 A
I _r , Thermal Trip Current, Max	250 A
Magnetic Trip Type	Fixed type
I _m , Magnetic Trip Current	2500 A
IΔn, Earth Leakage Trip Sensitivity Type	Selectable sensitivity
IΔn, Earth Leakage Trip Sensitivity Setting Range	30mA, 100mA, 300mA, 500mA, 1A, 3A
Earth Leakage Trip Time Type	Selectable time
Earth Leakage Trip Time Setting Range @IΔn	0, 60, 200, 400, 700 ms or No trip @IΔn
Certifications	CE ASTA
Shipping Approvals	ABS (American Bureau of Shipping) Lloyd's Register of Shipping BV (Bureau Veritas) DNV-GL (Det Norske Veritas Germanischer Lloyd) NK (Nippon Kaiji Kyokai)

REFERENCES

IECEX Certificate	-
Supplier Declaration of Conformity:	-
Installation Guide:	-
User Manual:	-
Manufacturer Datasheet:	-
Manufacturer Catalogue & Product Selection:	-



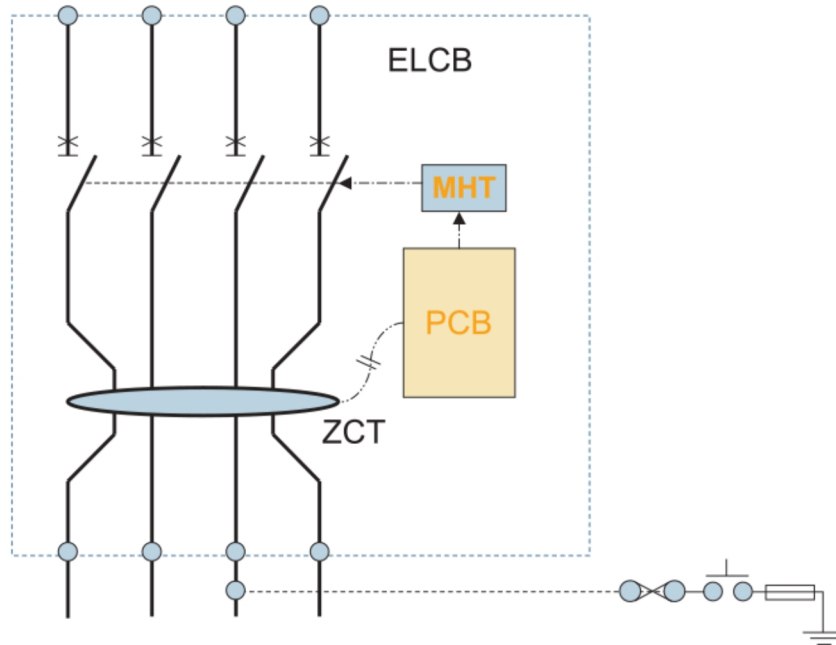
Catalogue No: **ZS250GJ3250**

TB2 ELCB MCCB 65kA 30mA 3A 3P 250A

Power Distribution and Protection > Circuit Breakers > Moulded Case Circuit Breakers > Terasaki TemBreak 2 Moulded Case Circuit Breakers > TemBreak 2 250 AF > ZS Earth Leakage 250 AF 65kA



Dimension Diagram



Connection / Wiring Diagram