

Catalogue No: **ZS125GJ420**

T2 ELCB MCCB 65kA 30mA 3A 4P 20A

Power Distribution and Protection > Circuit Breakers > Moulded Case Circuit Breakers > Terasaki TemBreak 2 Moulded Case Circuit Breakers > TemBreak 2 125 AF > ZS Earth Leakage 125 AF 65kA



T2 ELCB 65KA 20A 30MA - 3A 4P

Representative Photo Only
(actual product may vary based on configuration selections)

SPECIFICATIONS

Product Series	TemBreak 2 ELCB (ZS)
Component Type MCCB	MCCB AC
Poles	4P
Frame Size	125 AF size
Rated Frequency	50 / 60 Hz
Trip Unit Protection Type	Adjustable Thermal, Fixed Magnetic
Ue, Rated Operational Voltage, AC, max	525 V AC
Uimp, Impulse Withstand Voltage	8 kV
Ui, Rated Insulation Voltage	525 V (rms)
In, Rated Current at 45°C	20 A @45°C
Ics, Rated Service Short-Circuit Breaking Capacity, AC (IEC 60947)	55 % Icu
Ics, Rated Service Short-Circuit Breaking Capacity, DC	100 % Icu
Ics, Rated Service Short-Circuit Breaking Capacity, 525V AC	22 kA
Icu, Rated Ultimate Short-Circuit Breaking Capacity, 220/240V AC	85 kA @220/240VAC
Icu, Rated Ultimate Short-Circuit Breaking Capacity, 400/415V AC	65 kA @400/415VAC
Icu, Rated Ultimate Short-Circuit Breaking Capacity, 440V AC	50 kA @440VAC
Icu, Rated Ultimate Short-Circuit Breaking Capacity, 525V AC	25 kA @525VAC
Number of Poles	4
Height	155 mm
Width	120 mm
Depth	68 mm
Weight	1.4 kg
Standard Installation Method	Front Connection
Reverse Connection Of Supply Possible	Yes
Electrical Service Life at Un, In	10000 cycles

Catalogue No: **ZS125GJ420**

T2 ELCB MCCB 65kA 30mA 3A 4P 20A

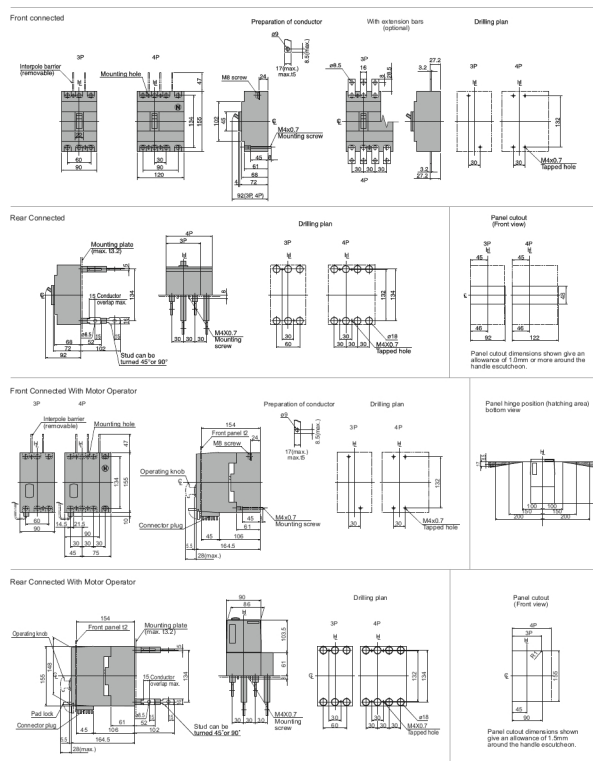
Power Distribution and Protection > Circuit Breakers > Moulded Case Circuit Breakers > Terasaki TemBreak 2 Moulded Case Circuit Breakers > TemBreak 2 125 AF > ZS Earth Leakage 125 AF 65kA



Mechanical Service Life	30000 cycles
Thermal Trip Type	Adjustable type
I _r , Thermal Trip Current, Min	12 A
I _r , Thermal Trip Current, Max	20 A
Magnetic Trip Type	Fixed type
I _m , Magnetic Trip Current	240 A
IΔn, Earth Leakage Trip Sensitivity Type	Selectable sensitivity
IΔn, Earth Leakage Trip Sensitivity Setting Range	30mA, 100mA, 300mA, 500mA, 1A, 3A
Earth Leakage Trip Time Type	Selectable time
Earth Leakage Trip Time Setting Range @IΔn	0, 60, 200, 400, 700 ms or No trip @IΔn
Certifications	CE ASTA
Shipping Approvals	Contact NHP

REFERENCES

IECEx Certificate	-
Supplier Declaration of Conformity:	-
Installation Guide:	-
User Manual:	-
Manufacturer Datasheet:	-
Manufacturer Catalogue & Product Selection:	-

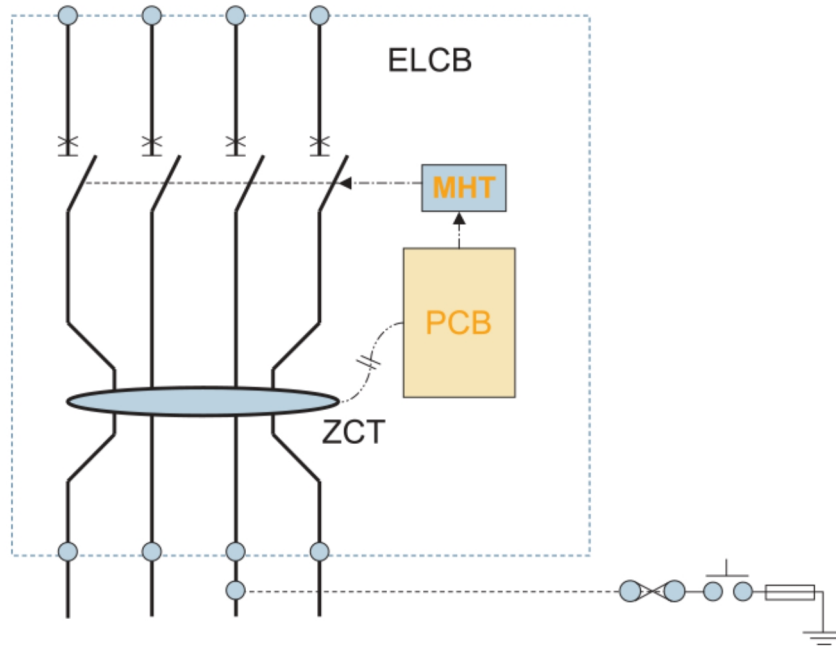


Dimension Diagram

Catalogue No: **ZS125GJ420**

T2 ELCB MCCB 65kA 30mA 3A 4P 20A

Power Distribution and Protection > Circuit Breakers > Moulded Case Circuit Breakers > Terasaki TemBreak 2 Moulded Case Circuit Breakers > TemBreak 2 125 AF > ZS Earth Leakage 125 AF 65kA



Connection / Wiring Diagram