



Representative Photo Only
(actual product may vary based on configuration selections)

Thermostat alarm dual heating/cooling 1N/C 1N/O

- A large range of thermostats (cooling and heating), hygrometers and hygrotherms for control of heating and cooling
- Pressure compensation devices to prevent build up of condensation in areas of rapid temperature rise, or high pressure spray
- Drainage device for the removal of excess moisture
- Contact NHP for a custom heating or cooling solution

SPECIFICATIONS

Component Type	Heaters Filter Fans Regulating Devices	Thermostat
Application Type(s)		Heating Cooling
Setpoint Range(s)		0 ... 60°C
Switch Difference		7K (± 4K tolerance)
Sensor Element		Thermostatic Bi-Metal
Contact Type		Normally open, bimetal snap-action contact
Max. Switching Capacity		10A @ 250V AC, 15A @ 120V AC, 30W @ 24-72V DC
Inrush Current, Max		16 A
Service Life, Contacts		100000 cycles
Optical Indicator		No Y/N
Mounting		DIN-35 Rail Mount
Material, Body / Housing		Plastic material
Colour, Body / Housing		Light Grey colour
Height		67 mm
Width		50 mm
Depth		46 mm
Weight		0.09 kg
IP Rating		IP20
Storage Temperature, Min		-45 °C min
Storage Temperature, Max		80 °C max
Operating Temperature, Min		-45 °C min
Operating Temperature, Max		80 °C max
Relative Humidity, Max		95 %RH
Approvals		VDE + UL File no. E164102

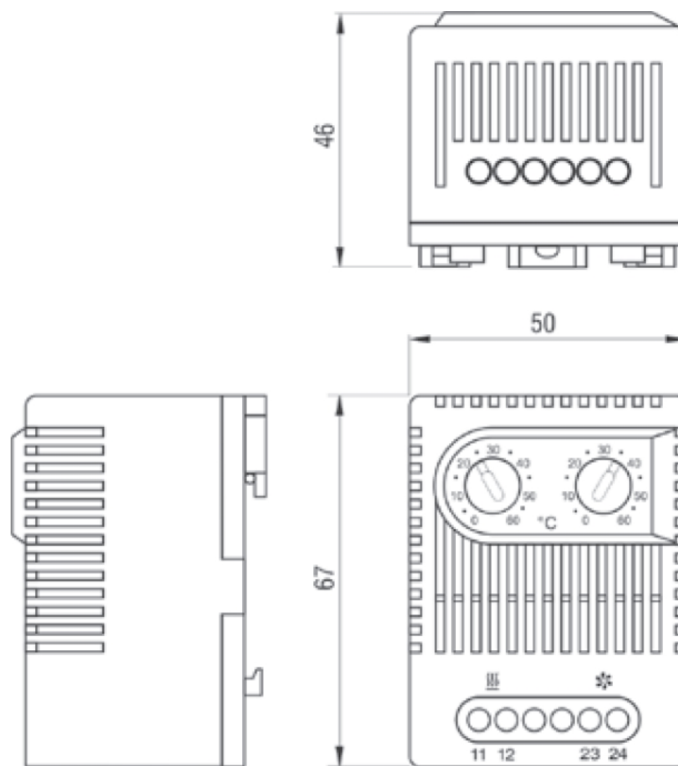
Catalogue No: **ZR 01172**

THERMOSTAT ALARM DUAL HEATING/COOLING 1NC 1NO

Enclosures and Climate Control > Climate Control > Heaters and Regulating Devices > Anti-Condensation Heaters and Regulating Devices > Regulating Devices > Dual Thermostats (Two Thermostats in Single Casing) for Heating and Cooling



REFERENCES	
IECEX Certificate	-
Supplier Declaration of Conformity:	-
Installation Guide:	-
User Manual:	-
Manufacturer Datasheet:	-
Manufacturer Catalogue & Product Selection:	-

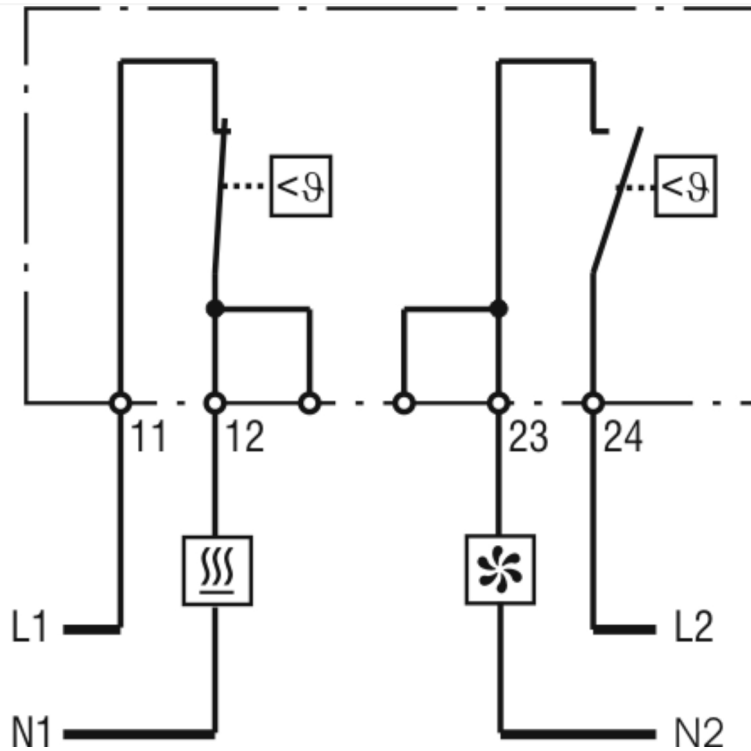


Dimension Diagram

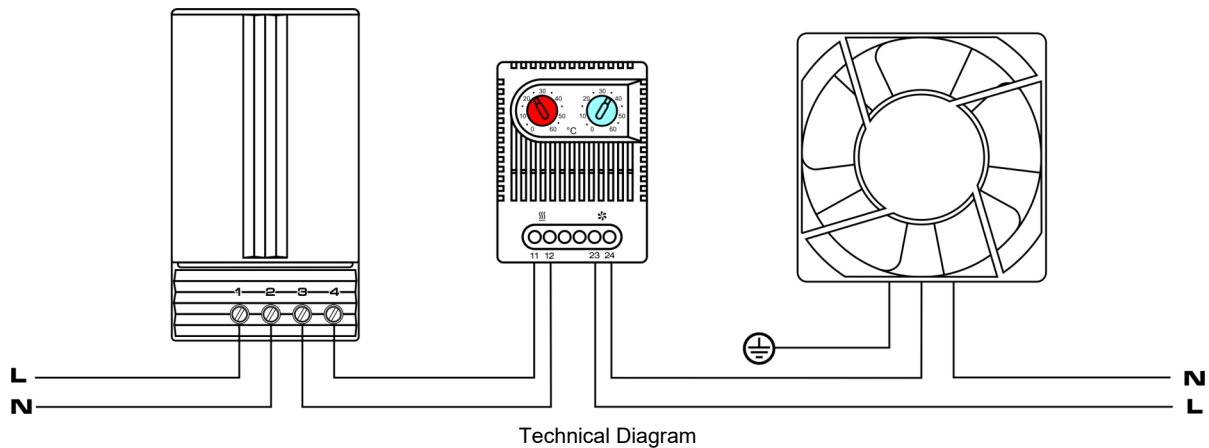
Catalogue No: ZR 01172

THERMOSTAT ALARM DUAL HEATING/COOLING 1NC 1NO

Enclosures and Climate Control > Climate Control > Heaters and Regulating Devices > Anti-Condensation Heaters and Regulating Devices > Regulating Devices > Dual Thermostats (Two Thermostats in Single Casing) for Heating and Cooling



Connection / Wiring Diagram



Technical Diagram