

VR Series Capacitive Proximity Sensor, thermoplastic polyester 1 1/2" PT housing, 20 to 30 V DC power supply, 15mm sensing range, IP67 rating, 5m pre-wired cable



- Featuring TRIPLESIELD™ sensor protection to withstand electrostatic discharges up to 40KV, line transients up to 4KV, and airborne noise (ie. cellular phones) up to 15V/m.
- Various sizes including 12mm, 18mm, and 30mm diameters
- Plastic and metal housings alternatives AC and DC outputs
- Either a built-in cable or a connector

Representative Photo Only  
(actual product may vary based on configuration selections)

#### SPECIFICATIONS

Product Series	VR
Component Type Field Switching & Sensing	Proximity Sensor
Sensing Mode	Capacitive
Shielded	No
Shape	Cylindrical - Threaded
Diameter	30 mm
Length	120.3 mm
Orientation	Straight Through
Mounting (Multiple)	Mounting Bracket (Ordered Separately)
Thread Size	1.5" - 24 BSPP / ISO 228 size
Teach Mode / Sensitivity Adjustment	No sensitivity
Sensing Distance	15 mm
Ue, Rated Operational Voltage, DC, min	20 V DC
Ue, Rated Operational Voltage, DC, max	30 V DC
Output Type	via External Amplifier
Switching/Operating Frequency	20 Hz
Number of Conductors	2 qty
Connection / Termination	Built-in cable with flying leads
Length, Cable	2 m
Colour, Cable Jacket	Grey colour
Material, cable jacket	PVC material
Material, Body / Housing	Polyester material
Operating Temperature, Max	70 °C max
Operating Temperature, Min	-25 °C min
Storage Temperature, Max	80 °C max
Storage Temperature, Min	-30 °C min
IP Rating	IP67

Catalogue No: **VR2B**

CAPACITIVE PET 1 1/2in PT M30 15mm W/AMP SV150/160/250/260

Field Switching and Sensing > Non Contact Sensors > Proximity Sensors > Carlo Gavazzi Proximity Sensors > Carlo Gavazzi Capacitive Proximity Sensors > 30mm Cylindrical - Capacitive Sensor



#### REFERENCES

IECEX Certificate -

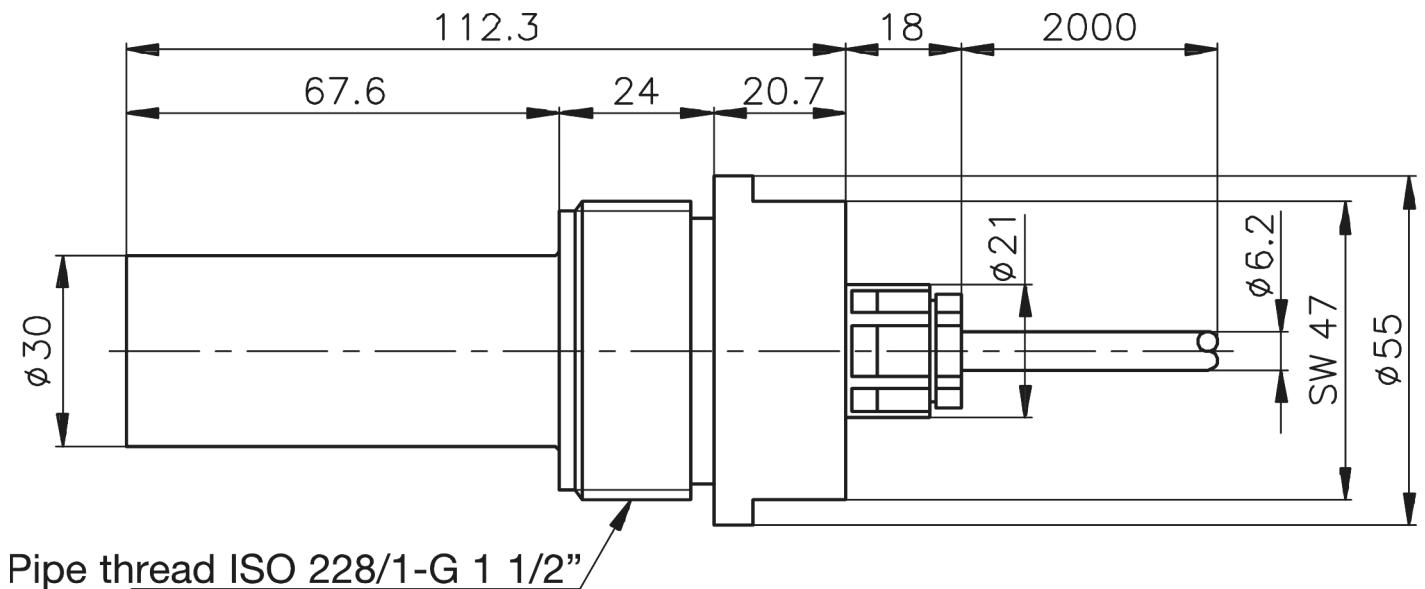
Supplier Declaration of Conformity: -

Installation Guide: -

User Manual: -

Manufacturer Datasheet: [VR2A\\_ManufacturerDatasheet](#)

Manufacturer Catalogue & Product Selection: -



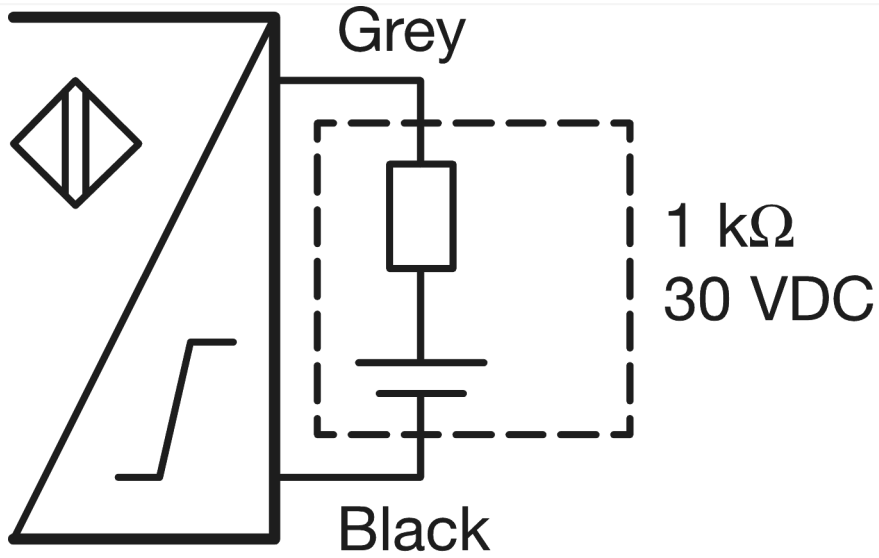
## VR2

Dimension Diagram

Catalogue No: **VR2B**

CAPACITIVE PET 1 1/2in PT M30 15mm W/AMP SV150/160/250/260

Field Switching and Sensing > Non Contact Sensors > Proximity Sensors > Carlo Gavazzi Proximity Sensors > Carlo Gavazzi Capacitive Proximity Sensors > 30mm Cylindrical - Capacitive Sensor



# VR1, VR2, VR3

Connection / Wiring Diagram