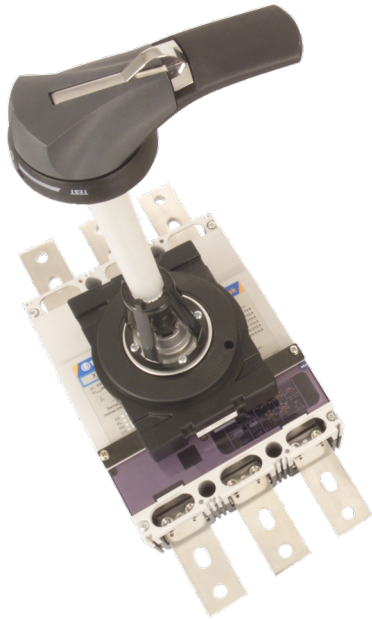


# Catalogue No: T2HS40R5GM

## T2 HANDLE IP65 FOR 400A

Power Distribution and Protection > Circuit Breakers > Moulded Case Circuit Breakers > TemBreak2 Accessories > TemBreak 2 External Accessories 125 AF to 1600 AF > Handles - Extension Type T2HS (Plastic)



TB2 HS Extension IP65 Grey Handle/Shaft Kit 400 AF

Representative Photo Only  
(actual product may vary based on configuration selections)

### SPECIFICATIONS

Compatible Product Series'	E400 E630 H400 L400 S400 S630
Details, compatible product series	E400, S400, H400, L400, E630, S630
Component Type MCCB	Handle / Mechanical Interlock
IP Rating	IP65
Material, Handle	Plastic Handle
Compatible Frame Size(s)	400 AF compatible 630 AF

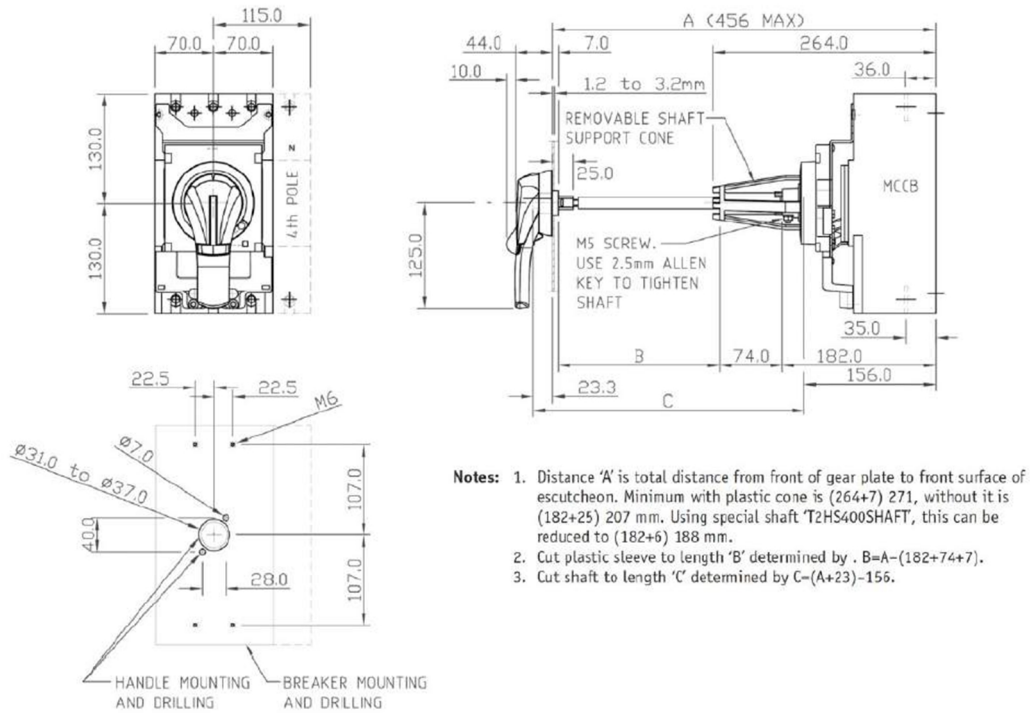
### REFERENCES

IECEX Certificate	-
Supplier Declaration of Conformity:	-
Installation Guide:	-
User Manual:	-
Manufacturer Datasheet:	-
Manufacturer Catalogue & Product Selection:	-

# Catalogue No: T2HS40R5GM

## T2 HANDLE IP65 FOR 400A

Power Distribution and Protection > Circuit Breakers > Moulded Case Circuit Breakers > TemBreak2 Accessories > TemBreak 2 External Accessories 125 AF to 1600 AF > Handles - Extension Type T2HS (Plastic)



Dimension Diagram