

Catalogue No: **T2HP25R6RN**

T2 HANDLE EXTENTION IP65 FOR 160-250 RED

Power Distribution and Protection > Circuit Breakers > Moulded Case Circuit Breakers > TemBreak2 Accessories > TemBreak 2 External Accessories 125 AF to 1600 AF > Handles - Extension Type T2HP (Plastic)



TB2 HP Extension IP65 Red Handle/Shaft Kit 160/250 AF



Representative Photo Only
(actual product may vary based on configuration selections)

SPECIFICATIONS

Compatible Product Series'	H125 L125 E250 H160 H250 L160 L250 S160 S250
Details, compatible product series	H125, L125, S/H/L160, E/S/H/L250
Component Type MCCB	Handle / Mechanical Interlock
IP Rating	IP65
Material, Handle	Plastic Handle
Compatible Frame Size(s)	125 AF compatible 160 AF 250 AF

REFERENCES

IECEX Certificate	-
Supplier Declaration of Conformity:	-
Installation Guide:	-
User Manual:	-
Manufacturer Datasheet:	-
Manufacturer Catalogue & Product Selection:	-

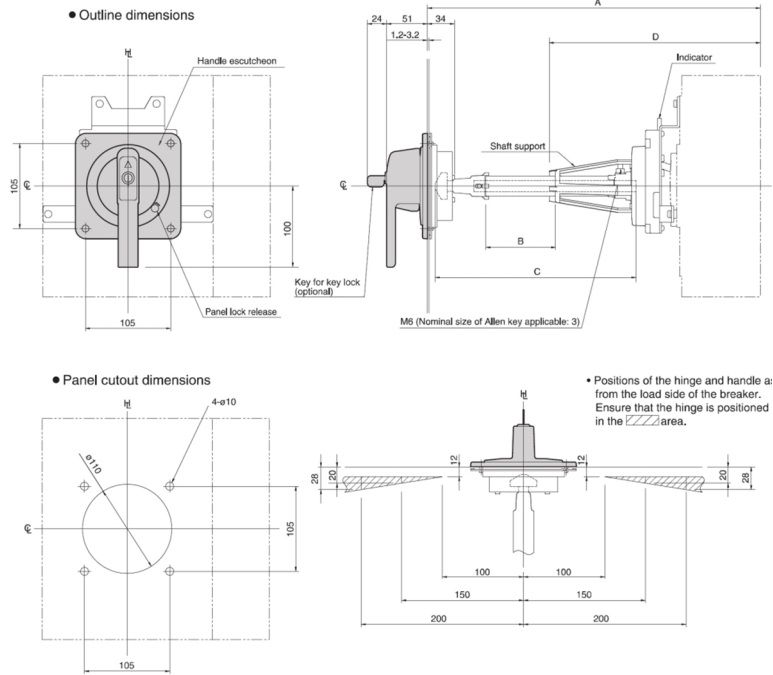
Catalogue No: T2HP25R6RN

T2 HANDLE EXTENTION IP65 FOR 160-250 RED

Power Distribution and Protection > Circuit Breakers > Moulded Case Circuit Breakers > TemBreak2 Accessories > TemBreak 2 External Accessories 125 AF to 1600 AF > Handles - Extension Type T2HP (Plastic)



T2HP80



Dimension Diagram