

# Catalogue No: T2HB12UR5BN

## T2 HANDLE DIRECT MOUNTING FOR 125 BLACK

Power Distribution and Protection > Circuit Breakers > Moulded Case Circuit Breakers > TemBreak2 Accessories > TemBreak 2 External Accessories 125 AF to 1600 AF > Handles - Direct Mount Type T2HB (Plastic)



### TB2 HB Direct Mounting IP54 Rated Black Handle 125 AF



Representative Photo Only  
(actual product may vary based on configuration selections)

#### SPECIFICATIONS

Compatible Product Series'	E125 S125
Details, compatible product series	E125, S125
Component Type MCCB	Handle / Mechanical Interlock
IP Rating	IP54
Material, Handle	Plastic Handle
Colour, Body / Housing	Grey & Black colour
Compatible Frame Size(s)	125 AF compatible

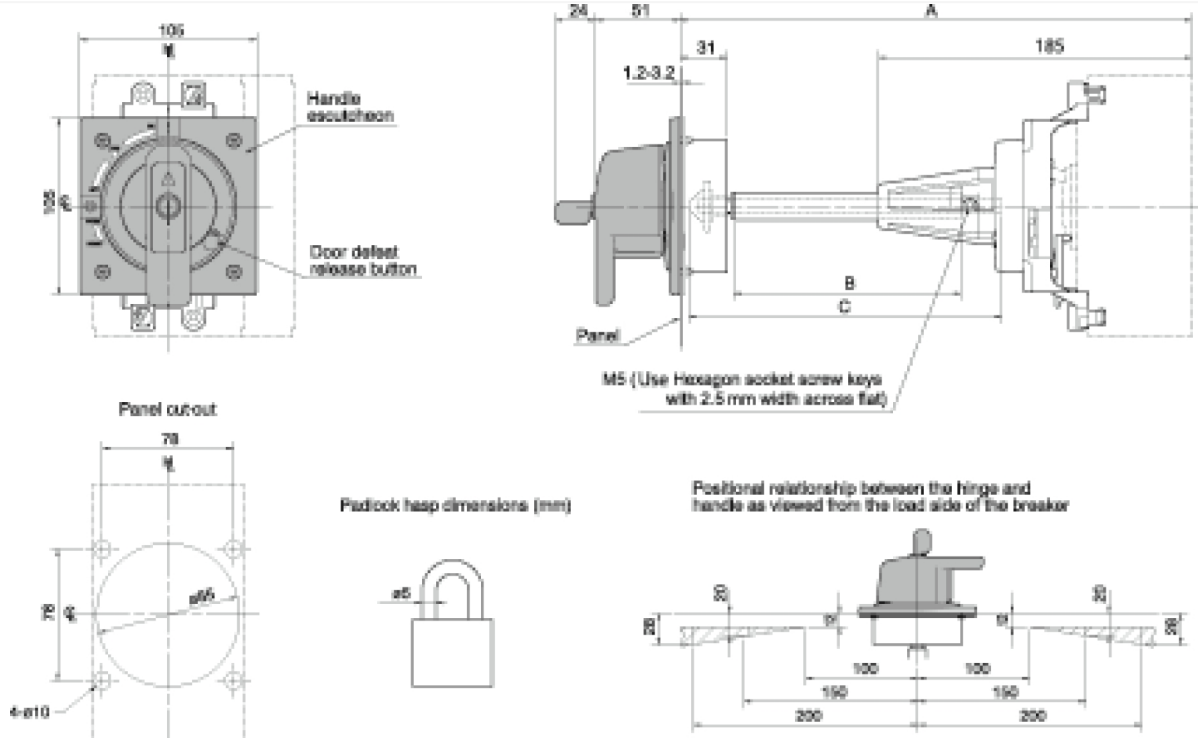
#### REFERENCES

IECEX Certificate	-
Supplier Declaration of Conformity:	-
Installation Guide:	-
User Manual:	-
Manufacturer Datasheet:	-
Manufacturer Catalogue & Product Selection:	-

# Catalogue No: T2HB12UR5BN

## T2 HANDLE DIRECT MOUNTING FOR 125 BLACK

Power Distribution and Protection > Circuit Breakers > Moulded Case Circuit Breakers > TemBreak2 Accessories > TemBreak 2 External Accessories 125 AF to 1600 AF > Handles - Direct Mount Type T2HB (Plastic)



Dimension Diagram