

# Catalogue No: **RT7-E1**

## THERMISTOR RELAY AUTO RESET 24-240V AC/DC

Motor Control and Drives > Motor Starting and Protection > Motor Protection > Sprecher + Schuh Overloads > Thermistor Protection Relays



### PTC Thermistor Protection Relay Basic Model, 24...240V AC/DC, Automatic Reset

- Microprocessor technology, providing very accurate and repeated protection
- Broad supply voltage rating (24 to 240V AC/DC) ensures suitability for a wide variety of applications
- Short-circuit and open-circuit protection for sensor measuring circuit

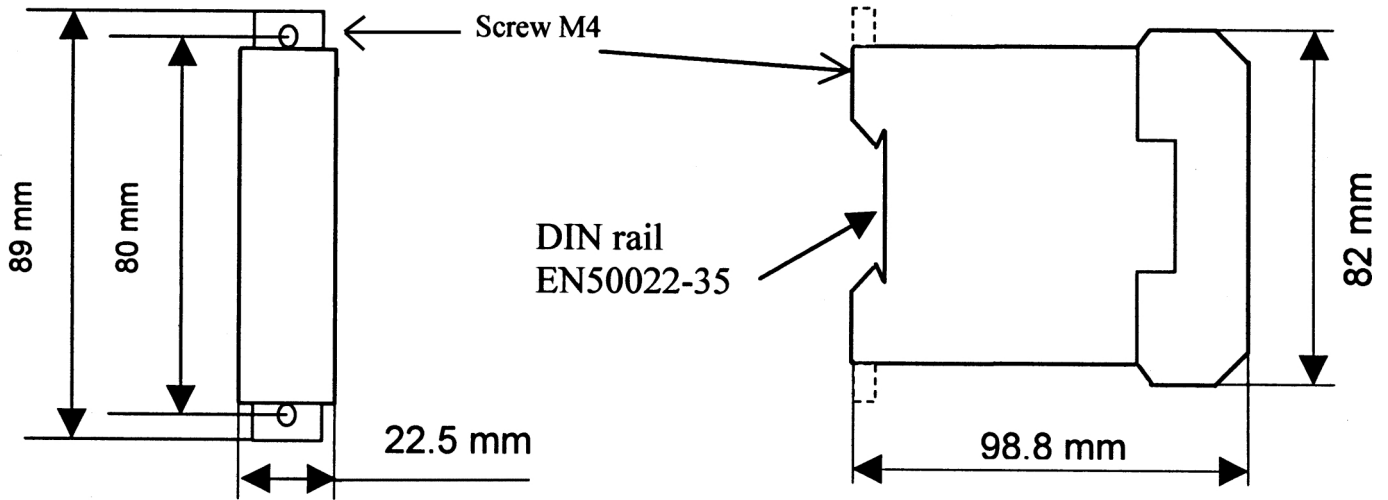
Representative Photo Only  
(actual product may vary based on configuration selections)

#### SPECIFICATIONS

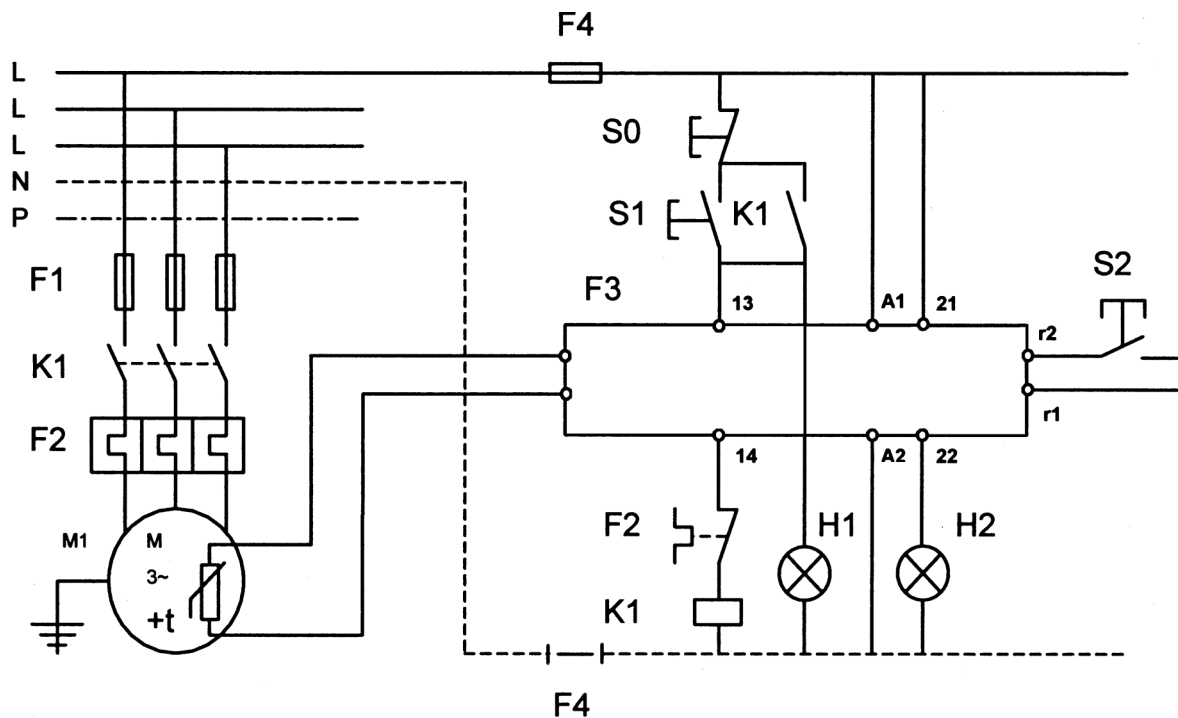
Component Type Motor Control and Drives	Thermistor Relay
Automatic Reset	Yes Y / N
Manual Reset	No Y / N
Remote Reset	No Y / N
Test Button	No Y / N
IP Rating	IP20

#### REFERENCES

IECEX Certificate	-
Supplier Declaration of Conformity:	-
Installation Guide:	-
User Manual:	-
Manufacturer Datasheet:	-
Manufacturer Catalogue & Product Selection:	-



Dimension Diagram

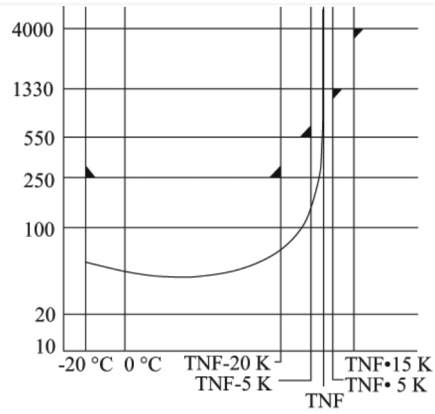


Connection / Wiring Diagram

Catalogue No: **RT7-E1**

**THERMISTOR RELAY AUTO RESET 24-240V AC/DC**

Motor Control and Drives > Motor Starting and Protection > Motor Protection > Sprecher + Schuh Overloads > Thermistor Protection Relays



Technical Diagram