

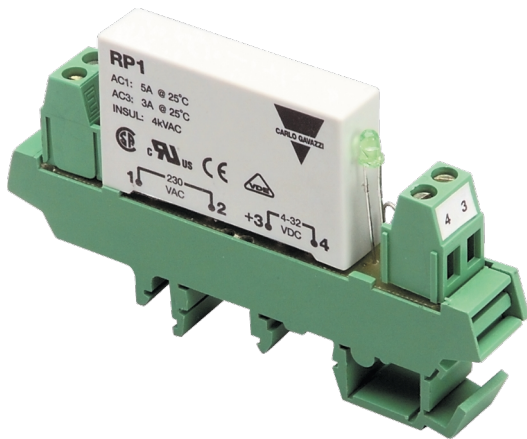
# Catalogue No: **RP1A23D5M1**

## SSR 5A 1PH 12-265V AC SWITCHING 5-34V DC CONTROL

Timers and Control Relays > General Purpose Relays > Solid State Relays > Carlo Gavazzi Solid State Relays > Miniature PCB/DIN Rail Mount Solid State Relays > RP1 Series - Mini Relays



Solid state relay, single phase, DIN rail mount, 5A



Representative Photo Only  
(actual product may vary based on configuration selections)

- Includes direct copper bonding technology for increased life and reliability.
- Long life and noise-free switching makes them ideal replacements for mechanical contactors.
- Complete range of SSR's including with or without a built-in heatsink to suit your custom application requirements.

### SPECIFICATIONS

Product Series	RP
Number of Poles	1
Contact Configuration	1 NO
Input Frequency, Min	45 Hz
Input Frequency, Max	65 Hz
In, Rated Current	5 A
Ie, Rated Operational Current, min	20 mA,min
Icw, Short Time Withstand Current, 10ms (rms)	80 A, 10ms
IΔn, Leakage Current, Max	1 mA
Ie, Rated Operational Current, AC-51, 230V	5 A@230V
Ie, Rated Operational Current, AC-53a, 230V	3 A@230V
Un, Nominal Operational Voltage, AC	230 V AC
Ue, Rated Operational Voltage, AC, min	12 V AC
Ue, Rated Operational Voltage, AC, max	265 V AC
Blocking Voltage, Peak	650 Vp
Voltage Drop, On State, Max	1.2 V
Control Voltage, DC, Nom	24 V DC
Control Voltage, DC, Min	5 V DC min
Control Voltage, DC, Max	34 V DC max
Input Current, Max (rms)	10 mA, max rms
Pickup Voltage	2.8 V
Dropout Voltage	1.2 V
Response Time (Off → On)	10 ms
Response Time (On → Off)	10 ms
Insulation Voltage, between Input & Output	4000 V AC
Material, Body / Housing	PBT / PBTP / Valox material
Mounting	DIN-35 Rail Mount
Terminal Type, Supply	Screw Terminal(s)



# Catalogue No: **RP1A23D5M1**

## SSR 5A 1PH 12-265V AC SWITCHING 5-34V DC CONTROL

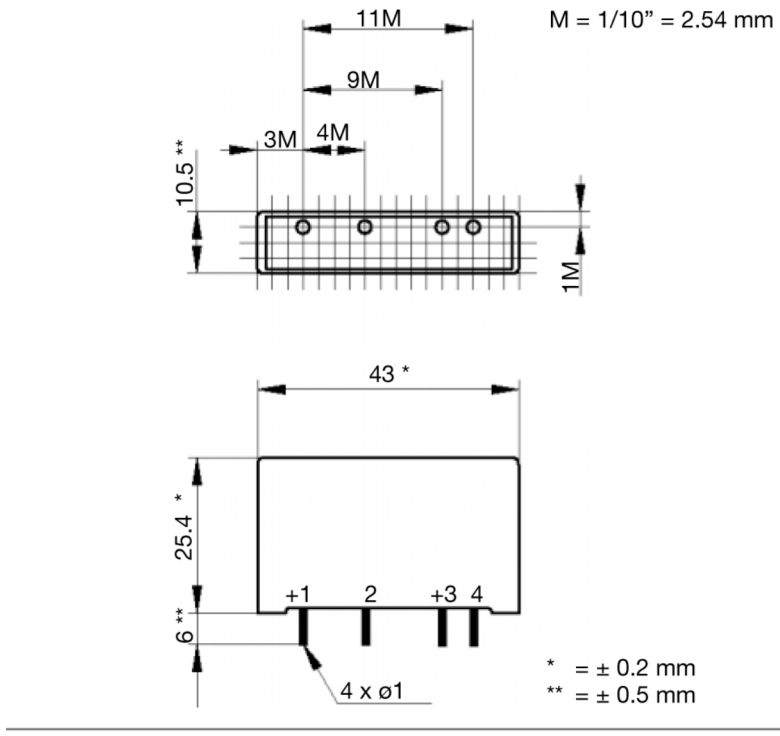
Timers and Control Relays > General Purpose Relays > Solid State Relays > Carlo Gavazzi Solid State Relays > Miniature PCB/DIN Rail Mount Solid State Relays > RP1 Series - Mini Relays



Terminal Type, Operational	Screw Terminal(s)
Operating Temperature, Min	-20 °C min
Operating Temperature, Max	70 °C max
Storage Temperature, Min	-40 °C min
Storage Temperature, Max	100 °C max
Height	40 mm
Width	85 mm
Depth	14 mm
Weight	0.02 kg
Certifications	UL C-UL CE VDE

### REFERENCES

IECEX Certificate	-
Supplier Declaration of Conformity:	<a href="#">RP1A23D5M1_Supplier Declaration of Conformity (SDoC)</a>
Installation Guide:	-
User Manual:	-
Manufacturer Datasheet:	<a href="#">RP1A23D5M1_Manufacturer Datasheet</a>
Manufacturer Catalogue & Product Selection:	-



Dimension Diagram