

Catalogue No: **PC50CNT20R**

PHOTO THROUGH-BEAM EMITTER PLASTIC 20M AC/DC RLY NONC 2M CBL

Field Switching and Sensing > Non Contact Sensors > Photoelectric Sensors > Carlo Gavazzi Photoelectric sensors > Transmitted Beam > Series PC50 - Transmitted Beam



Representative Photo Only
(actual product may vary based on configuration selections)

PC Series Photoelectric Sensor, Through-Beam, emitter, plastic housing, 12-240 V DC / 24-240 V AC supply, NO+NC output, 20m sensing range, IP67, IP69K rating

- Sensing range of up to 20m
- Adjustable sensitivity versions available
- Multi-voltage (20 - 250V AC / DC) versions
- IP69k rated versions

SPECIFICATIONS

Product Series	PC
Component Type Field Switching & Sensing	Photoelectric Sensor
Sensing Mode	Through-Beam Emitter
Light source type	LED
Illumination Mode	Continuous
Colour, light source	Infrared (880nm)
Beam Angle / Field of View	4 ° (degrees)
Material, Lens	PC (Polycarbonate)
Material, Body / Housing	ABS material
Shape	Rectangular
Height	50 mm
Width	17 mm
Depth	50 mm
Orientation	Right Angle
Mounting (Multiple)	Panel Mount Mounting Bracket (Included)
Sensing Distance, Max	20000 mm max
Operating Range(s)	12 ... 240V DC 24 ... 240V AC
Switching Mode	Light or Dark Operate Selectable
Output Type	Relay
Response Time (Off → On)	25 ms
Response Time (On → Off)	25 ms
Switching/Operating Frequency	20 Hz
Indicators	Green LED
Connection / Termination	Built-in cable with flying leads
Number of Conductors	2 qty
Length, Cable	2 m
Material, cable jacket	PVC material

Catalogue No: **PC50CNT20R**

PHOTO THROUGH-BEAM EMITTER PLASTIC 20M AC/DC RLY NONC 2M CBL

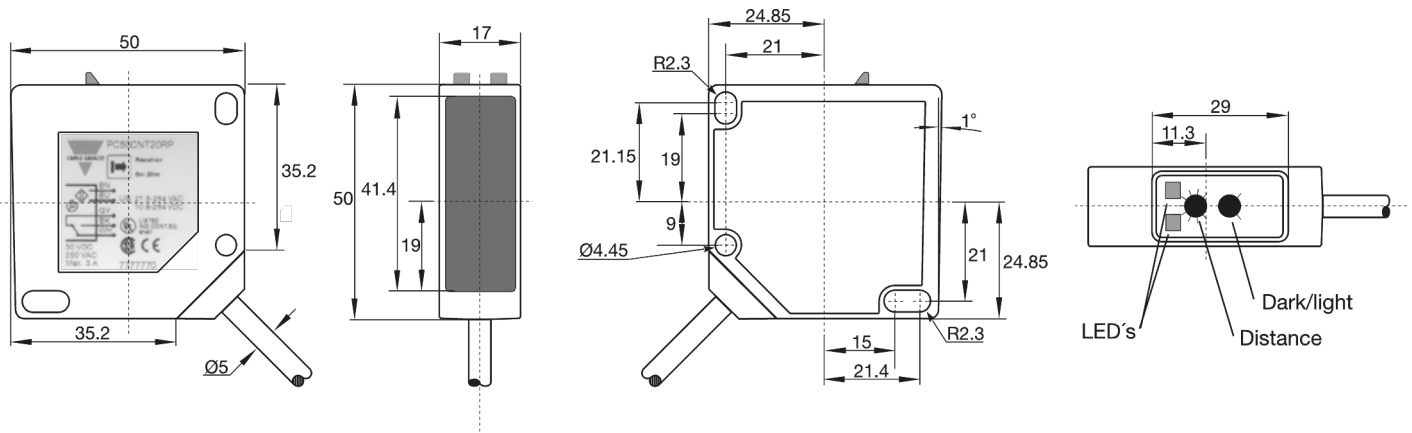
Field Switching and Sensing > Non Contact Sensors > Photoelectric Sensors > Carlo Gavazzi Photoelectric sensors > Transmitted Beam > Series PC50 - Transmitted Beam



Colour, Cable Jacket	Grey colour
Operating Temperature, Min	-20 °C min
Operating Temperature, Max	60 °C max
Storage Temperature, Min	-25 °C min
Storage Temperature, Max	80 °C max
IP Rating	IP67
Shock Rating	IEC 60068-2-32
Vibration Acceleration (Max.)	7.5 m/s ²
Vibration Displacement (Peak to Peak Max.)	0.5 mm
Vibration Frequency, Operational (Max.)	150 Hz
Vibration Rating	IEC 60068-2-6

REFERENCES

IECEX Certificate	-
Supplier Declaration of Conformity:	-
Installation Guide:	-
User Manual:	-
Manufacturer Datasheet:	PC50CNT20R_ManufacturerDatasheet
Manufacturer Catalogue & Product Selection:	-

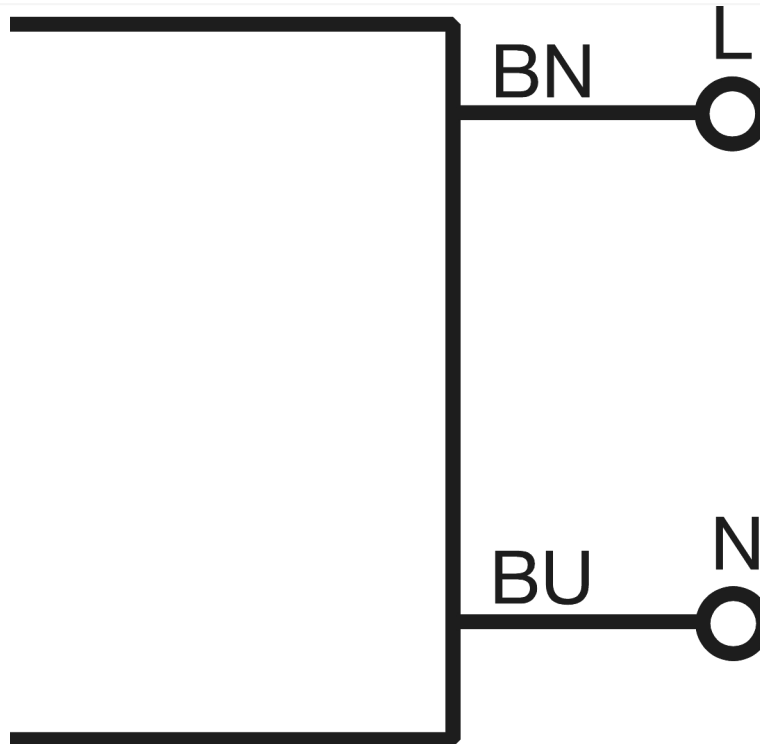


Dimension Diagram

Catalogue No: **PC50CNT20R**

PHOTO THROUGH-BEAM EMITTER PLASTIC 20M AC/DC RLY NONC 2M CBL

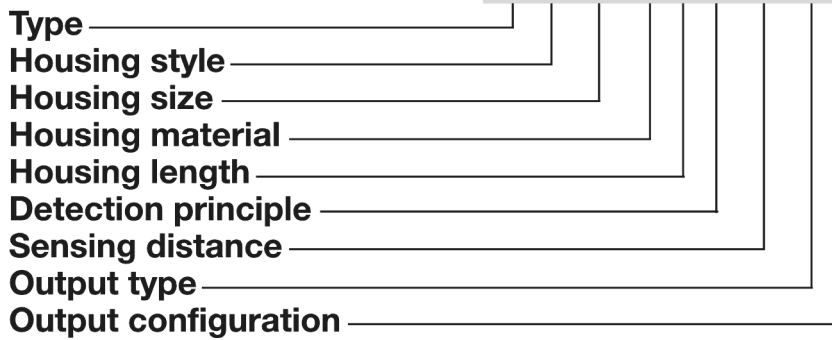
Field Switching and Sensing > Non Contact Sensors > Photoelectric Sensors > Carlo Gavazzi Photoelectric sensors > Transmitted Beam > Series PC50 - Transmitted Beam



Connection / Wiring Diagram

Ordering Key

PC50CNT20RP



Technical Diagram

