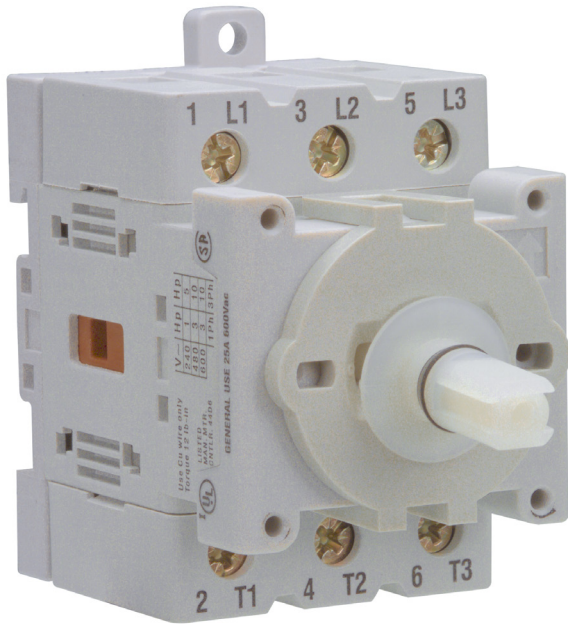


LA7631753

Sprecher and Schuh L7 Switch Body 3 Pole Off On 63A Base Mount



| | |
|-----------------------|---------------------|
| Component type | Off-load switch |
| Range | L7 Loadbreak Switch |
| Model | N/A |
| Product status | Existing |

The Sprecher + Schuh L7 line is compact, reliable and the ideal choice for all disconnect applications. All accessories snap-on and off for quick assembly. The L7's modular design allows for multiple combinations and use of universal accessories. Available in base (LA7) and panel (LE7) mount options up to 100A with easy selection, needing only two part numbers to build a complete switch assembly.

ELECTRICAL

| | |
|---|---------|
| Number of poles | 3.0 |
| Rated operation power at AC-3, 400 V | 18.5 kW |
| Rated operation current Ie at AC-21a, 690V | 63.0 A |
| Rated operation current Ie at AC-1, 690V | 63.0 A |
| Ithe, thermal current (enclosed) | 63.0 A |
| Ith, thermal current (open) | 75.0 A |
| Number of auxiliary contacts as normally closed contact | 0.0 |
| Number of auxiliary contacts as normally open contact | 0.0 |

CONSTRUCTION

| | |
|---------------------------------------|--------------------------|
| Model | On/Off switch |
| Mounting method | DIN rail |
| Material housing | Plastic |
| Wire/conductor size, rigid cable | 2.5 - 16 mm ² |
| Wire/conductor size, flex cable | 2.5 - 25 mm ² |
| Degree of protection (IP), front side | IP20 |
| Suitable for front mounting | No |
| Complete device in housing | No |

MECHANICAL

| | |
|----------------------------------|-----------------|
| With zero (off) position | Yes |
| Mechanical life (service cycles) | 200000.0 cycles |
| Number of switch positions | 2.0 |

DIMENSIONS

| | |
|--------|---------|
| Depth | 73.0 mm |
| Width | 54.0 mm |
| Height | 72.0 mm |

ENVIRONMENT

| | |
|-----------------------|-------------|
| Operating temperature | -25 - 60 °C |
|-----------------------|-------------|

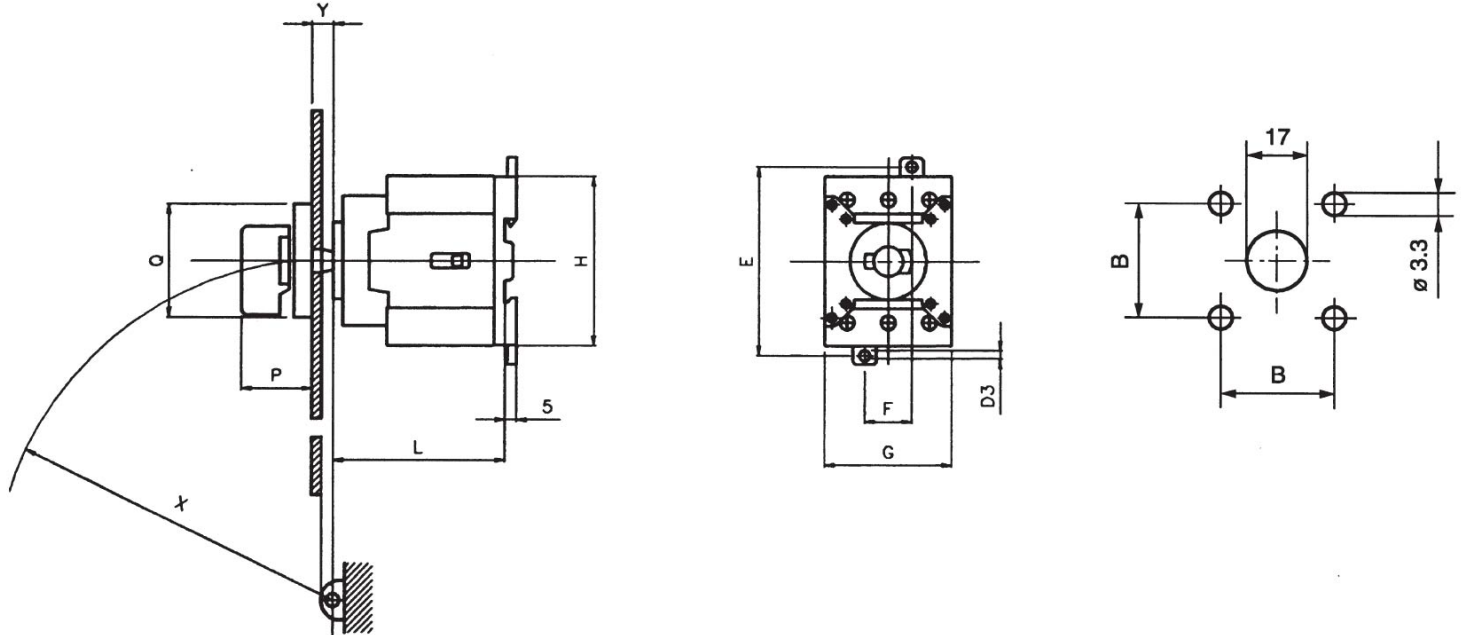
LA7631753

Sprecher and Schuh L7 Switch Body 3 Pole Off On 63A Base Mount



DIMENSIONAL DIAGRAM

LA 7 - base mounted switches - 3 pole (16 ... 100 A)



| Type | D3 | E | F | G | H | L |
|-------------|-----|----|----|----|----|----|
| LA 7-16 | 4.5 | 70 | 11 | 36 | 63 | 55 |
| LA 7-25/32 | 4.5 | 70 | 15 | 45 | 64 | 59 |
| LA 7-40/63 | 4.5 | 80 | 20 | 54 | 72 | 73 |
| LA 7-80/100 | 5.6 | 95 | 25 | 72 | 90 | 89 |

| Type | Y min. | X ≥ | Y max. | L ≥ |
|-------------|--------|-----|--------|-----|
| LA 7-25/32 | 5 | 142 | 9.5 | 90 |
| LA 7-40/63 | 2.5 | 150 | 9.5 | 90 |
| LA 7-80/100 | 2.5 | 150 | 9.5 | 90 |