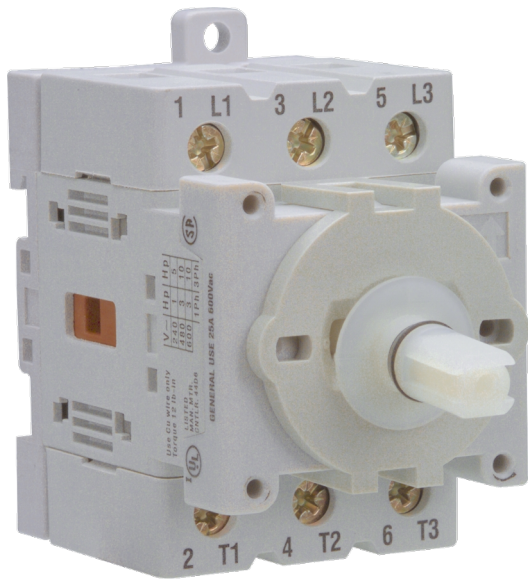


Catalogue No: **LA7-32-1753**
SWITCH LOAD 3P BASE MOUNT 32A

Power Distribution and Protection > Isolators and Transfer Switches > Load Break Switches > Sprecher+Schuh Load Break Switches > LA7 Base Mount > 3-Pole On-Off



SWITCH LOAD 3P BASE MOUNT 32A

- Rated currents up to 100A
- Touch-proof switch body (IP 20)
- Water spray and dustproof mechanism handles (IP 66)
- Easily accessible terminals
- Clearly marked terminals
- Wide range of accessories
- High AC 23 A ratings
- High breaking capacity
- Electronic compatibility of auxiliary contacts
- High short circuit withstand capacity (reduced risk of welding)
- High overvoltage withstand

Representative Photo Only
 (actual product may vary based on configuration selections)

SPECIFICATIONS

Number of Poles	3
Ui, Rated Insulation Voltage	690 V (rms)
Uimp, Impulse Withstand Voltage	690 kV
Icw, short time withstand current, 1s (rms)	0.9 kA for 1s
Ie, Rated Operational Current, AC-21a, 690V	32 A@690V
Ie, Rated Operational Current, DC-21a, 110V	32 A@110V
Ie, Rated Operational Current, DC-21a, 220V	15 A@220V
Ie, Rated Operational Current, DC-21a, 440V	2.2 A@440V
kW Rating, AC-23a, 400V, 3ph	15 kW @400V
kW Rating, AC-23a, 690V, 3ph	15 kW @690V
Tightening Torque, Max	12 Nm
Standards Compliance	IEC 60947-1 IEC 60947-3
Operating Temperature, Min	-25 °C min
Operating Temperature, Max	60 °C max
Storage Temperature, Min	-40 °C min
Storage Temperature, Max	80 °C max

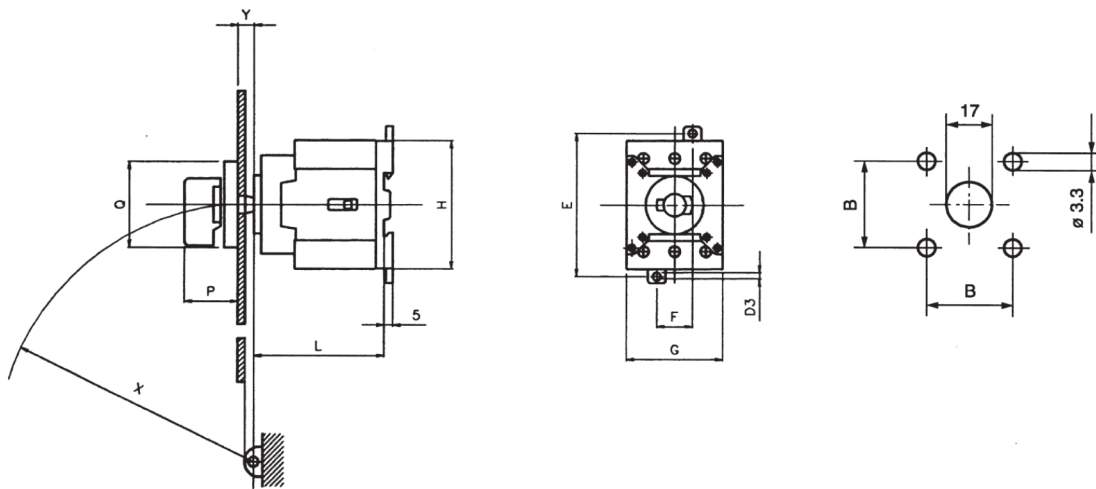
Catalogue No: **LA7-32-1753**
SWITCH LOAD 3P BASE MOUNT 32A

Power Distribution and Protection > Isolators and Transfer Switches > Load Break Switches > Sprecher+Schuh Load Break Switches > LA7 Base Mount > 3-Pole On-Off



REFERENCES	
IECEX Certificate	-
Supplier Declaration of Conformity:	-
Installation Guide:	-
User Manual:	-
Manufacturer Datasheet:	-
Manufacturer Catalogue & Product Selection:	-

LA 7 - base mounted switches - 3 pole (16 ... 100 A)

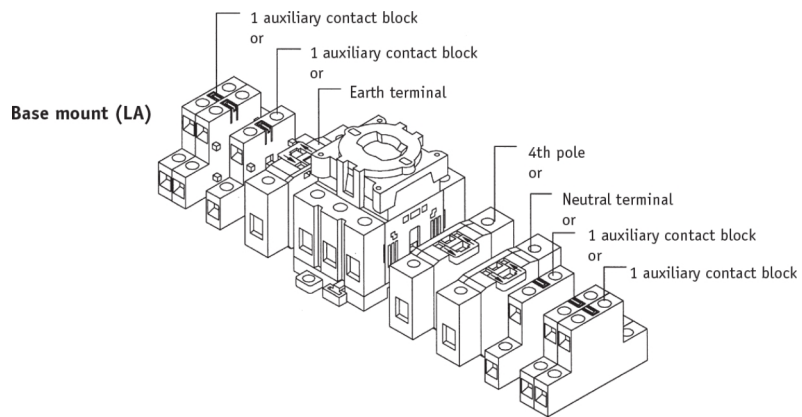


Type	D3	E	F	G	H	L	Type	Y min.	X ≥	Y max.	L ≥
LA 7-16	4.5	70	11	36	63	55	LA 7-25/32	5	142	9.5	90
LA 7-25/32	4.5	70	15	45	64	59	LA 7-40/63	2.5	150	9.5	90
LA 7-40/63	4.5	80	20	54	72	73	LA 7-80/100	2.5	150	9.5	90
LA 7-80/100	5.6	95	25	72	90	89					

Dimension Diagram

Catalogue No: **LA7-32-1753**
SWITCH LOAD 3P BASE MOUNT 32A

Power Distribution and Protection > Isolators and Transfer Switches > Load Break Switches > Sprecher+Schuh Load Break Switches > LA7 Base Mount > 3-Pole On-Off



Technical Diagram