



Representative Photo Only  
(actual product may vary based on configuration selections)

LED Beacon (Strobe or Static) 11-35V DC - Green Lens

- Complete visual signalling range from high efficiency static or flashing LED's to high discharge Xenon beacons to rotating parabolic reflector beacons, we have the solution suitable for your application.
- Available in a variety of frame sizes and with accessories such as protective cages and brackets to cater to your mounting requirements.
- Multiple colour varieties available including Red, Green, Amber and Blue to convey whichever message is required.

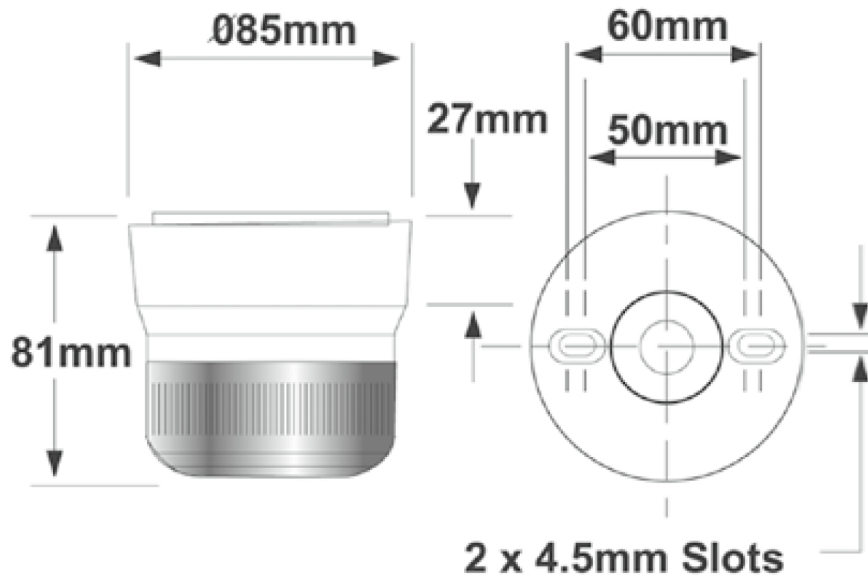
**SPECIFICATIONS**

Indication Mode(s)	Sight
Lamp Type	LED type
Colour, Lamp	Green colour
Illumination Mode	Steady / Flashing
Speed, Flash	60 per min
Un, Nominal Operational Voltage, DC	12 V DC
Ie, Rated Operational Current, nom	0.1 A,nom
Ie, Rated Operational Current, nom	0.1 A,nom
Material, Body / Housing	PC (Polycarbonate) material
Connection / Termination	Screw Terminal(s)
IP Rating	IP65
Mounting (Multiple)	Ceiling Mount Wall Mount
Weight	0.14 kg
Operating Temperature, Min	-20 °C min
Operating Temperature, Max	70 °C max

**REFERENCES**

IECEX Certificate	-
Supplier Declaration of Conformity:	-
Installation Guide:	-
User Manual:	-
Manufacturer Datasheet:	<a href="#">KL3062G_ManufacturerDatasheet</a>
Manufacturer Catalogue & Product Selection:	-

## Standard and Fire Style



Dimension Diagram