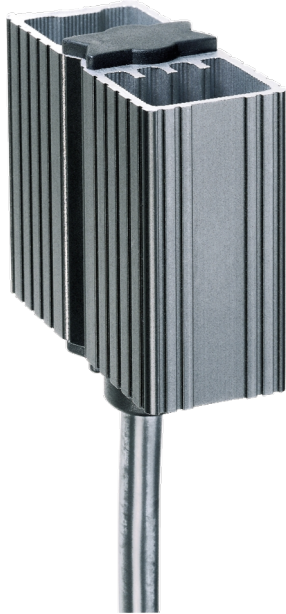


Catalogue No: **HGK 04701**

CONVECTION HEATER 120-240V AC/DC H60xW25xD50mm 20W

Enclosures and Climate Control > Climate Control > Heaters and Regulating Devices > Heaters > Convection Heaters > HGK047 Series - Miniature Variable PTC Heaters with Moulded Power Lead



Representative Photo Only
(actual product may vary based on configuration selections)

Convection heater 120-240V AC/DC H60xW25xD50mm 20W

- Efficient design and operation
- 120-240 V AC/DC (min 110V, max 265V)
- Clip-on DIN rail fixing

SPECIFICATIONS

Product Series	HGK047
Component Type Heaters Filter Fans Regulating Devices	Convection Heater
Heating Capacity, Ambient 20°C	20 W @20°C
Material, Body / Housing	Aluminium material
Heating Element	PTC Thermistor
Ue, Rated Operational Voltage, AC, min	110 V AC
Ue, Rated Operational Voltage, AC, max	265 V AC
Ue, Rated Operational Voltage, DC, min	110 V DC
Ue, Rated Operational Voltage, DC, max	265 V DC
Details, Voltage	Operating with voltages below 140V Voltage AC/DC reduces heating performance by approx 10%
Rated Frequency	50 / 60 Hz
Inrush Current, Max	2.5 A
Pre-Fuse T (time delay)	2 A
Mounting (Multiple)	DIN-35 Rail Mount
Details, Installation Position	Vertical airflow (air outlet up, connection on bottom) position
IP Rating	IP44
Protection Class, Heater	I Heater
Connection	3 x 0.5 mm ² 300 mm pre-fitted cable
Integrated Thermostat	No Y/N
Height	372 mm
Width	25 mm
Depth	50 mm
Weight	0.2 kg
Operating Temperature, Min	-45 °C min
Operating Temperature, Max	70 °C max
Storage Temperature, Min	-45 °C min
Storage Temperature, Max	70 °C max

Catalogue No: **HGK 04701**

CONVECTION HEATER 120-240V AC/DC H60xW25xD50mm 20W

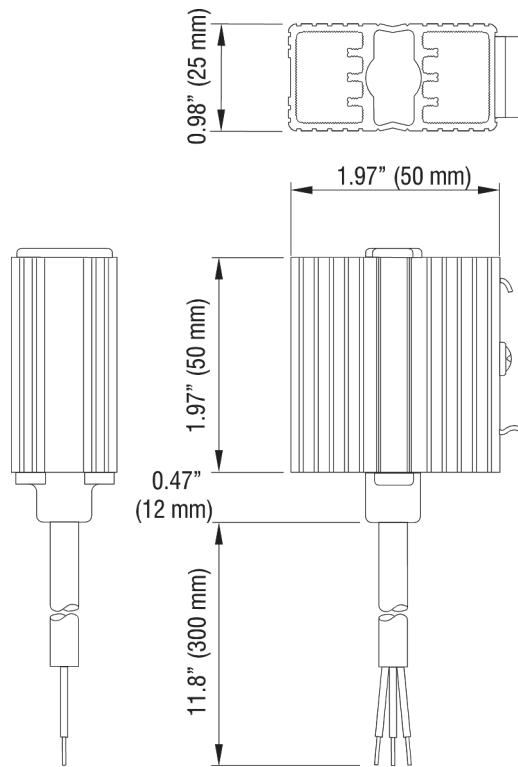
Enclosures and Climate Control > Climate Control > Heaters and Regulating Devices > Heaters > Convection Heaters > HGK047 Series - Miniature Variable PTC Heaters with Moulded Power Lead



Relative Humidity, Max	90 %RH
Approvals	VDE

REFERENCES

IECEX Certificate	-
Supplier Declaration of Conformity:	-
Installation Guide:	-
User Manual:	-
Manufacturer Datasheet:	-
Manufacturer Catalogue & Product Selection:	-



Dimension Diagram

Catalogue No: **HGK 04701**

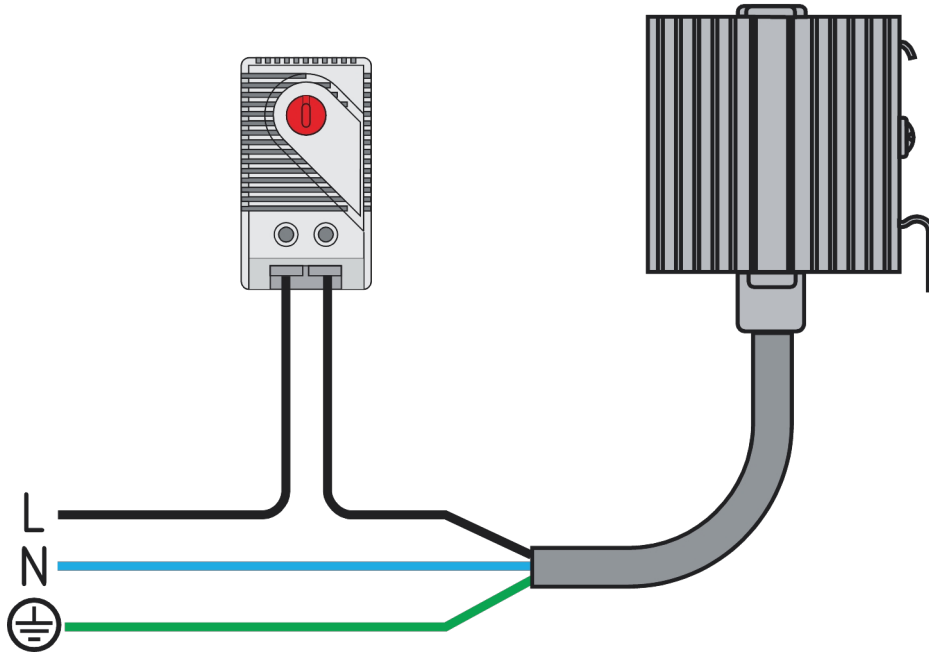
CONVECTION HEATER 120-240V AC/DC H60xW25xD50mm 20W

Enclosures and Climate Control > Climate Control > Heaters and Regulating Devices > Heaters > Convection Heaters > HGK047 Series - Miniature Variable PTC Heaters with Moulded Power Lead



Thermostat

HGK 047 Heater



Connection / Wiring Diagram