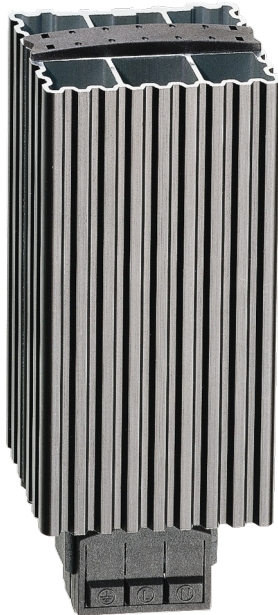


Catalogue No: **HG 14003**

CONVECTION HEATER 120-240V AC/DC H109xW70xD60mm 45W

Enclosures and Climate Control > Climate Control > Heaters and Regulating Devices > Heaters > Convection Heaters > HG140 Series - Variable PTC Heaters with Insulated Spring Clamp Terminals



Representative Photo Only
(actual product may vary based on configuration selections)

Convection heater 120-240V AC/DC H109xW70xD60mm 45W

- Fast heat up time
- 120-240 V AC/DC (min 110V, max 265V)
- Clip-on DIN rail fixing
- Spring clamp terminals

SPECIFICATIONS

Product Series	HG140
Component Type Heaters Filter Fans Regulating Devices	Convection Heater
Heating Capacity, Ambient 20°C	45 W @20°C
Material, Body / Housing	Aluminium material
Heating Element	PTC Thermistor
Ue, Rated Operational Voltage, AC, min	110 V AC
Ue, Rated Operational Voltage, AC, max	265 V AC
Ue, Rated Operational Voltage, DC, min	110 V DC
Ue, Rated Operational Voltage, DC, max	265 V DC
Details, Voltage	Operating with voltages below 140V Voltage AC/DC reduces heating performance by approx 10%
Rated Frequency	50 / 60 Hz
Inrush Current, Max	3.5 A
Pre-Fuse T (time delay)	2.5 A
Mounting (Multiple)	DIN-35 Rail Mount
Details, Installation Position	Vertical airflow (air outlet up, connection on bottom) position
IP Rating	IP20
Protection Class, Heater	I Heater
Connection	3 pressure clamps for stranded wire 0.5 - 1.5 mm ² (with wire end ferrule) and rigid wire 0.5 - 2.5 mm ²
Integrated Thermostat	No Y/N
Height	109 mm
Width	70 mm
Depth	60 mm
Weight	0.3 kg
Operating Temperature, Min	-45 °C min
Operating Temperature, Max	70 °C max



Catalogue No: **HG 14003**

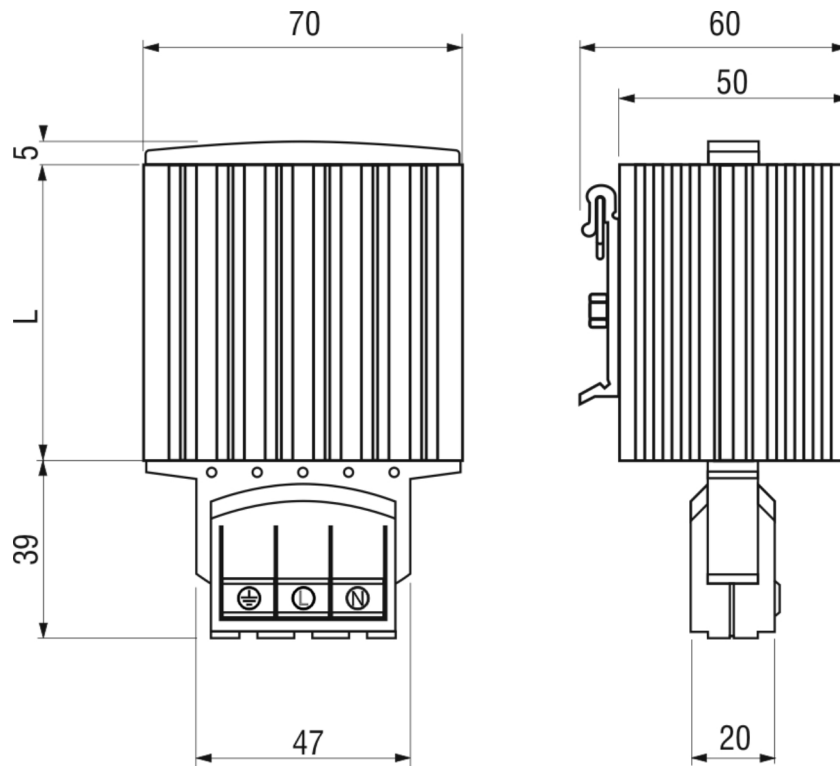
CONVECTION HEATER 120-240V AC/DC H109xW70xD60mm 45W

Enclosures and Climate Control > Climate Control > Heaters and Regulating Devices > Heaters > Convection Heaters > HG140 Series - Variable PTC Heaters with Insulated Spring Clamp Terminals



Storage Temperature, Min	-45 °C min
Storage Temperature, Max	70 °C max
Relative Humidity, Max	90 %RH
Approvals	VDE + UL File no. E150057

REFERENCES	
IECEX Certificate	-
Supplier Declaration of Conformity:	-
Installation Guide:	-
User Manual:	-
Manufacturer Datasheet:	-
Manufacturer Catalogue & Product Selection:	-

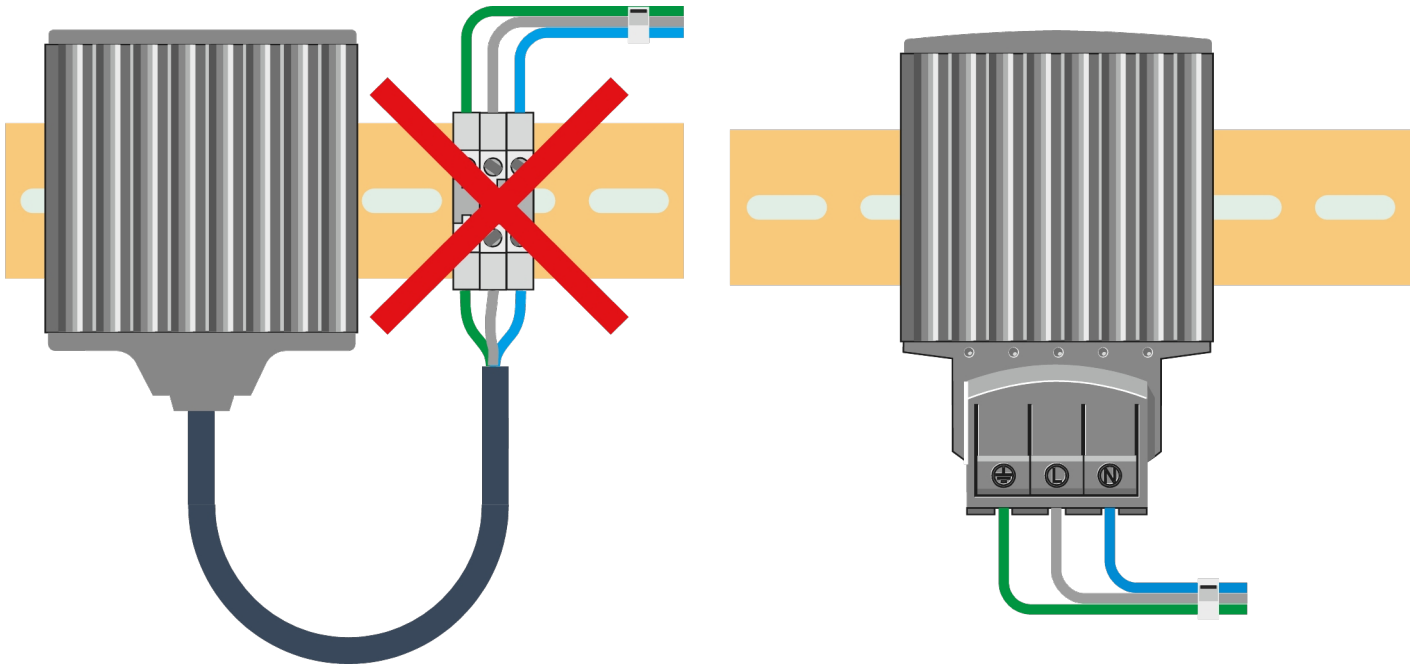


Dimension Diagram

Catalogue No: **HG 14003**

CONVECTION HEATER 120-240V AC/DC H109xW70xD60mm 45W

Enclosures and Climate Control > Climate Control > Heaters and Regulating Devices > Heaters > Convection Heaters > HG140 Series - Variable PTC Heaters with Insulated Spring Clamp Terminals



Connection / Wiring Diagram